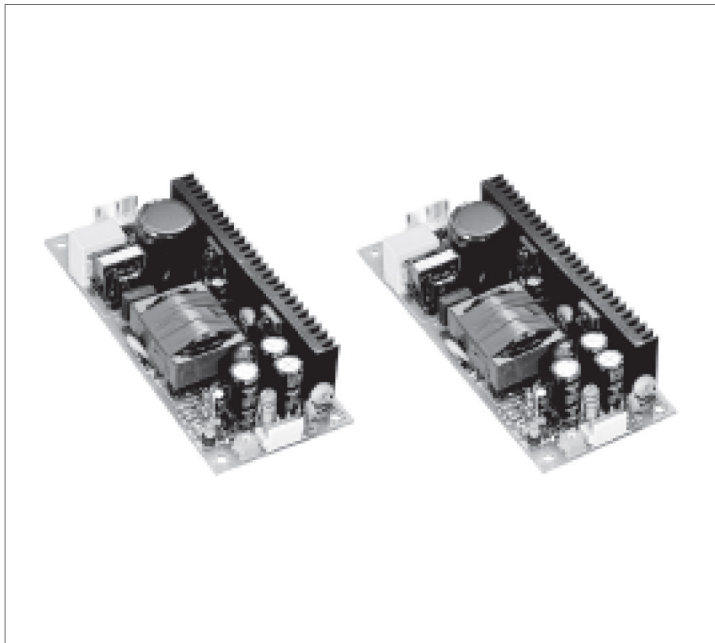


30SN Series



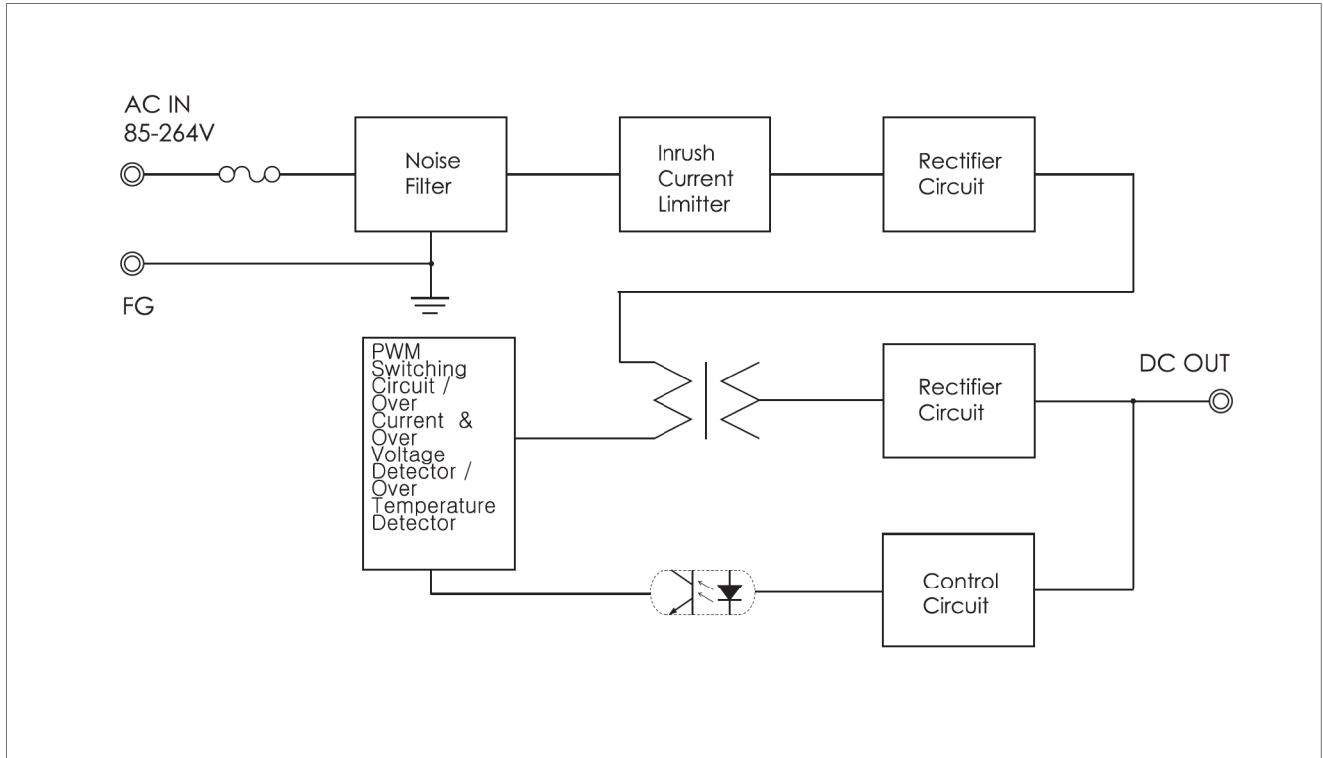
30W 1-Channel Non-Cover

- **5V6A/9V3.3A/12V2.5A/15V2A/24V1.2A/36V0.8A/48V0.6A Output**
- **Wide Input Voltage Range (AC85-264V)**
- **Built-in Inrush Current Limiter, Over Current Protector and Over Voltage Protector**
- **Over Temperature Protection**
- **Auto-Restart Mode**

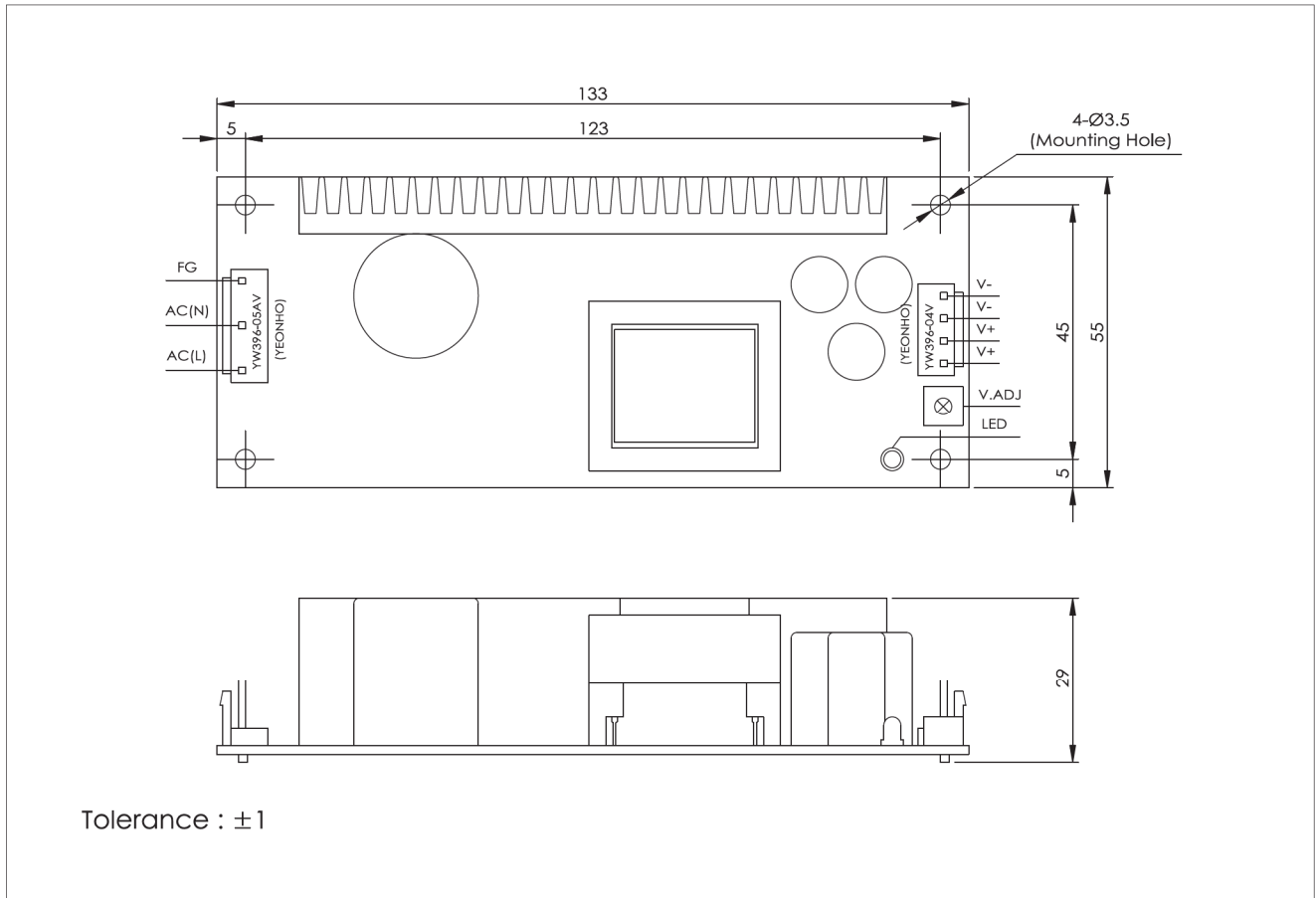
SPECIFICATIONS

| Item | | UP30S05N | UP30S09N | UP30S12N | UP30S15N | UP30S24N | UP30S36N | UP30S48N |
|---------------------|-------------------------------|--|------------|------------|------------|------------|------------|------------|
| INPUT | VOLTAGE | AC85~264V | | | | | | |
| | FREQUENCY | 50/60Hz(47~63Hz) | | | | | | |
| | EFFICIENCY | 75% Typ | 75% Typ | 80% Typ | 80% Typ | 82% Typ | 83% Typ | 85% Typ |
| | INRUSH CURRENT | 20A Typ(ACIN 110V, Io=100%)/ 40A Typ(ACIN 220V, Io=100%) at cold start | | | | | | |
| OUTPUT | VOLTAGE [V] | 5 | 9 | 12 | 15 | 24 | 36 | 48 |
| | CURRENT [A] | 6.0 | 3.3 | 2.5 | 2.0 | 1.2 | 0.8 | 0.6 |
| | LINE REGULATION [mV] | 25 Max | 45 Max | 60 Max | 75 Max | 120 Max | 180 Max | 240 Max |
| | LOAD REGULATION [mV] | 50 Max | 90 Max | 120 Max | 150 Max | 240 Max | 360 Max | 480 Max |
| | RIPPLE [mVp-p] | 50 Max | 90 Max | 120 Max | 150 Max | 240 Max | 360 Max | 480 Max |
| | RIPPLE NOISE [mVp-p] | 100 Max | 140 Max | 170 Max | 200 Max | 290 Max | 410 Max | 530 Max |
| | TEMPERATURE DRIFT,0-50°C [mV] | 50 Max | 90 Max | 120 Max | 150 Max | 240 Max | 360 Max | 480 Max |
| | RISE TIME [msec] | 100 Max (ACIN 85V, Io=100%) | | | | | | |
| HOLDING TIME [msec] | 10 Typ (ACIN 85V, Io=100%) | | | | | | | |
| PROTECTION | OVER CURRENT PROTECTION | Works at over 110% of rating and recovers automatically | | | | | | |
| | OVER VOLTAGE PROTECTION | Works at over 115~140% of rating | | | | | | |
| ISOLATION | INPUT-OUTPUT | AC3,000V for 1 minute, DC500V 100Mohm (At room temp. & humid.) | | | | | | |
| | INPUT-CASE, FG | AC1,500V for 1 minute, DC500V 100Mohm (At room temp. & humid.) | | | | | | |
| | OUTPUT-CASE | AC500V for 1 minute, DC500V 100Mohm (At room temp. & humid.) | | | | | | |
| ENVIRONMENT | OPERATING TEMP. & HUMID. | 0~+50°C, 20~90%RH (Non condensing) | | | | | | |
| | STORAGE TEMP. & HUMID. | -20~+75°C, 20~90%RH (Non condensing) | | | | | | |
| | VIBRATION | 10~55Hz at 1G 3 minutes period, 30 minutes along X, Y and Z axis | | | | | | |
| | IMPACT | 10G for 20 msec, Once on each X, Y and Z axis | | | | | | |
| | APPROVALS | | | | | | | |

BLOCK DIAGRAM



DIMENSIONS(UNITS : MM)



S.M.P.S