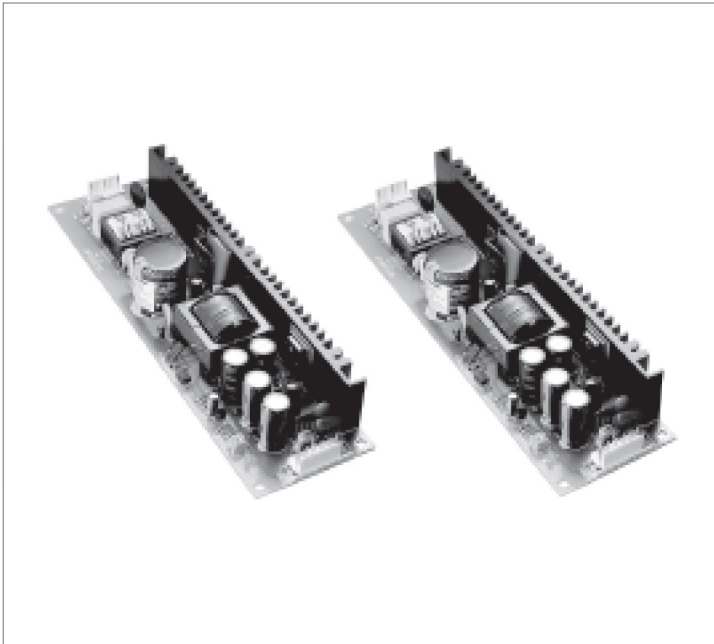


100SN Series



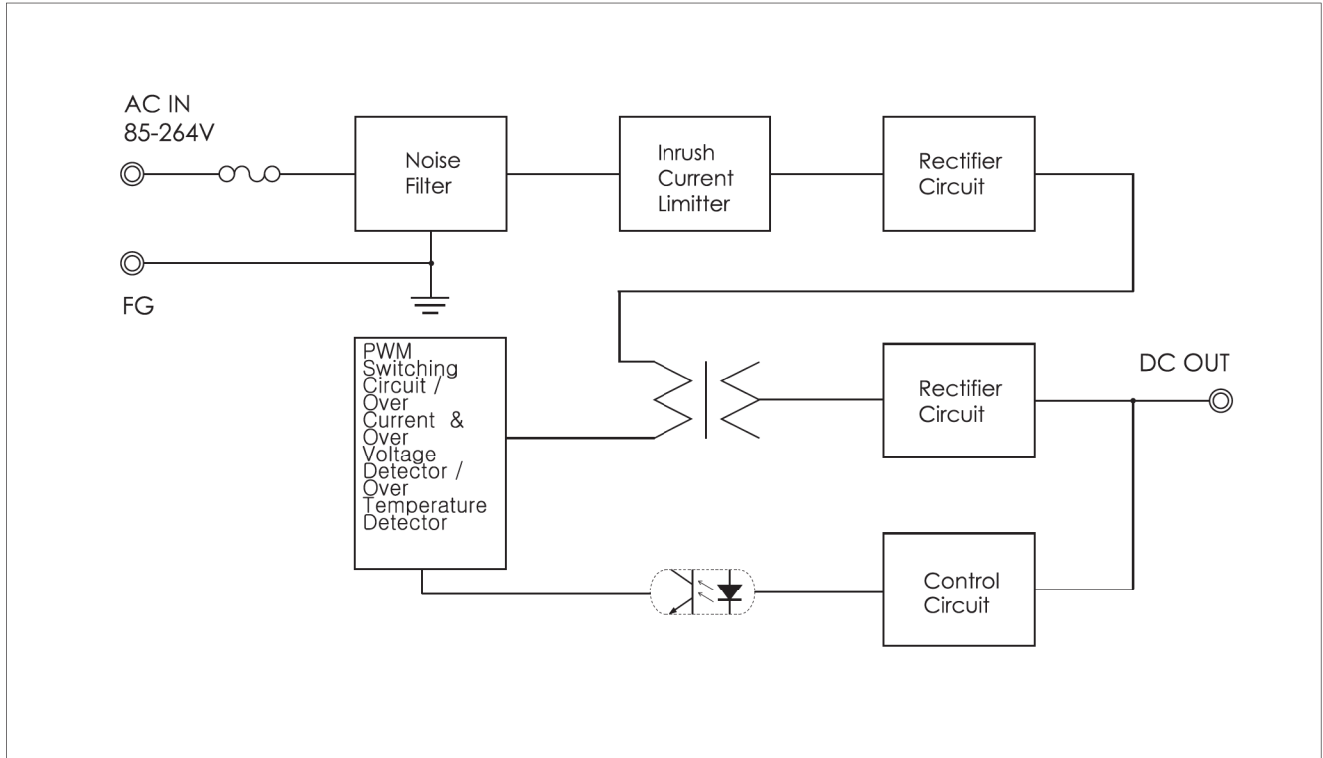
100W 1-Channel Non-Cover

- **5V20A/12V8.3A/15V6.6A/24V4.1A/36V2.7A/48V2A Output**
- **Wide Input Voltage Range (AC85-264V)**
- **Built-in Inrush Current Limiter, Over Current Protector and Over Voltage Protector**
- **Over Temperature Protection**
- **Auto-Restart Mode**

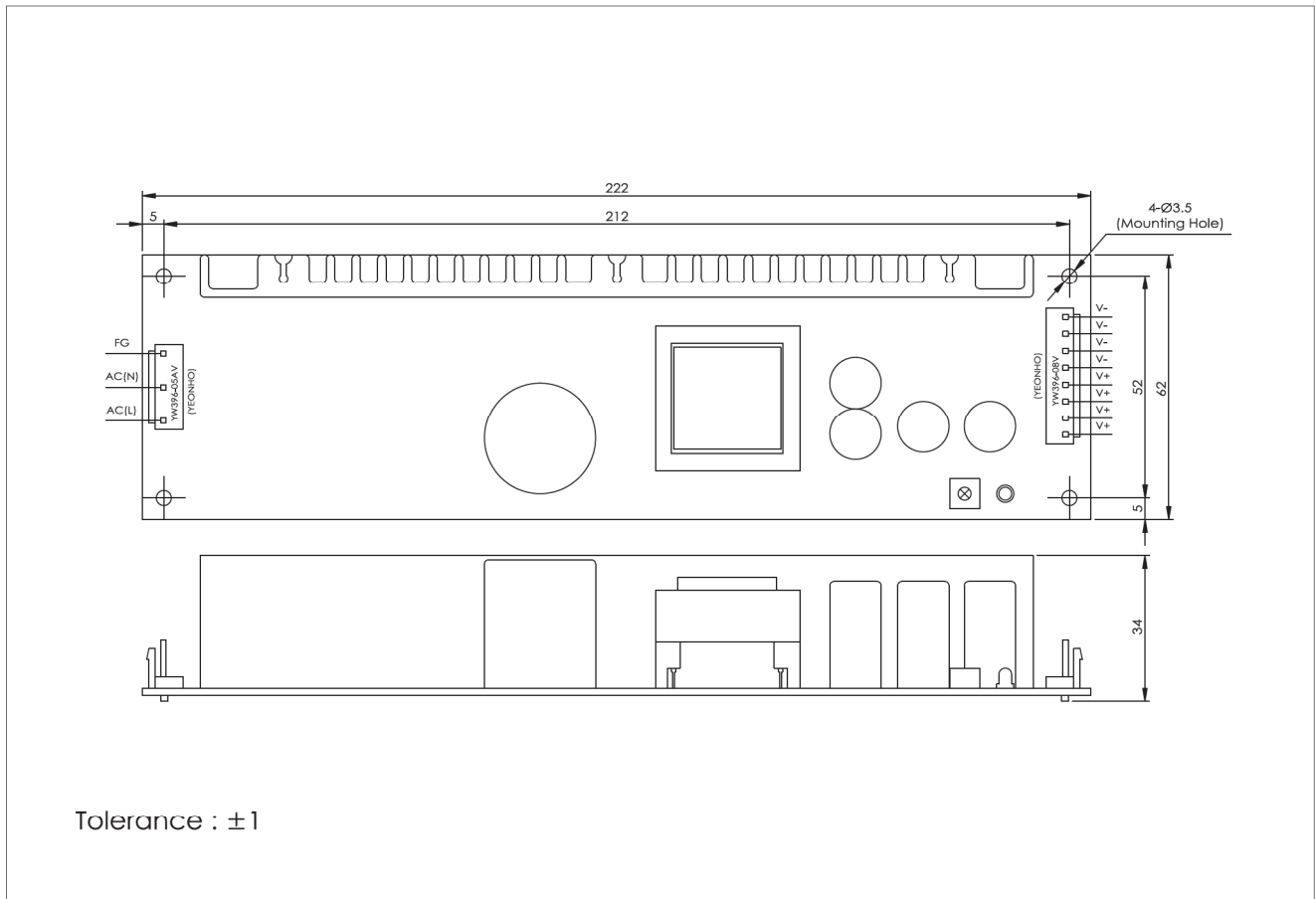
SPECIFICATIONS

Item		UP100S05N	UP100S12N	UP100S15N	UP100S24N	UP100S36N	UP100S48N
INPUT	VOLTAGE	AC85~264V					
	FREQUENCY	50/60Hz(47~63Hz)					
	EFFICIENCY	78% Typ	80% Typ	80% Typ	82% Typ	83% Typ	85% Typ
	INRUSH CURRENT	20A Typ(ACIN 110V, Io=100%)/ 40A Typ(ACIN 220V, Io=100%) at cold start					
OUTPUT	VOLTAGE [V]	5	12	15	24	36	48
	CURRENT [A]	20.0	8.3	6.6	4.1	2.7	2.0
	LINE REGULATION [mV]	25 Max	60 Max	75 Max	120 Max	180 Max	240 Max
	LOAD REGULATION [mV]	50 Max	120 Max	150 Max	240 Max	360 Max	480 Max
	RIPPLE [mVp-p]	50 Max	120 Max	150 Max	240 Max	360 Max	480 Max
	RIPPLE NOISE [mVp-p]	100 Max	170 Max	200 Max	290 Max	410 Max	530 Max
	TEMPERATURE DRIFT,0-50°C [mV]	50 Max	120 Max	150 Max	240 Max	360 Max	480 Max
	RISE TIME [msec]	600 Max (ACIN 85V, Io=100%)					
	HOLDING TIME [msec]	15 Typ (ACIN 85V, Io=100%)					
PROTECTION	OVER CURRENT PROTECTION	Works at over 110% of rating and recovers automatically					
	OVER VOLTAGE PROTECTION	Works at over 115~140% of rating					
ISOLATION	INPUT-OUTPUT	AC3,000V for 1 minute, DC500V 100Mohm (At room temp. & humid.)					
	INPUT-CASE, FG	AC1,500V for 1 minute, DC500V 100Mohm (At room temp. & humid.)					
	OUTPUT-CASE	AC500V for 1 minute, DC500V 100Mohm (At room temp. & humid.)					
ENVIRONMENT	OPERATING TEMP. & HUMID.	0~+50°C, 20~90%RH (Non condensing)					
	STORAGE TEMP. & HUMID.	-20~+75°C, 20~90%RH (Non condensing)					
	VIBRATION	10~55Hz at 1G 3 minutes period, 30 minutes along X, Y and Z axis					
	IMPACT	10G for 20 msec, Once on each X, Y and Z axis					
	APPROVALS						

BLOCK DIAGRAM



DIMENSIONS(UNITS : MM)



S.M.P.S