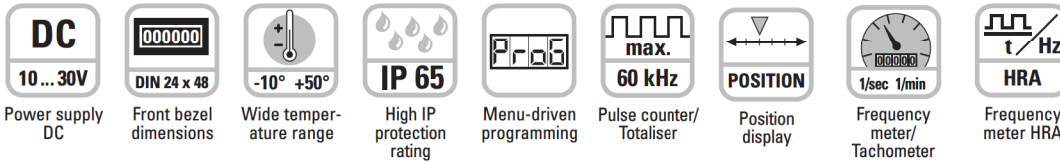


Position and Frequency display *CODIX 52P*

separate inputs for frequency and position



Powerful

- **Fast count input**
Input frequency max. 60 kHz
- **Robust housing**
IP 65 protection
- **LED display**
Very bright, 8 mm high
- **HRA – High Rate Accuracy System**
Frequencies up to 38 Hz are calculated using time-interval (period duration) measurement.
Frequencies > 38 Hz are calculated using a special time base (gate time) measurement. A very high accuracy of > 0.1% is achieved, even with very short gate times. The resulting measurement is available after a max. of 50 ms.
- **Fast start-up time**
Detects incoming pulses just 16 ms after being switched on – so no pulses are lost with a simultaneous motor start-up



User-friendly

- **Big keys**
Can also be operated when using gloves
- **Easy to programme**
Easy menu-driven programming and operation
Possibility to enter the programming mode during operation, with authentication query
Pressing the right key switches between displays

Universal

- **Individually programmable scaling**
Multiplication and division factor (0.0001 to 99.9999), to display corresponding engineering units, e.g. position in 1/10 mm and speed in RPM.
- **Separate factors and inputs for frequency- and pulse counting**
- **4 different count input modes for the position display**
2-channel input for detecting count direction, difference or adding mode, quadrature x1, x2 or x4. 1 separate input for rotary speed and speed, display in 1/min or 1/sec
- **DC supply**
- **Inputs**
As an alternative to the HTL inputs, devices with a 5 VDC input trigger level are available, for use as parallel displays for PLCs.

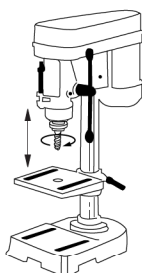
Applications for Frequency and Position Display/ Totaliser

Position and rotary speed applications, e.g.

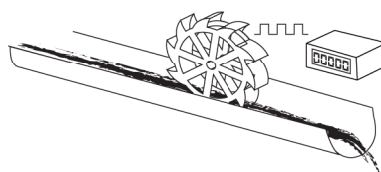
- OEM equipment or retrofitting to drilling machines
- OEM equipment on flow measuring plant, e.g. total flow and current flow

- Total piece count and pieces per minute, where the pulse counting occurs in the add/subtract mode, in order to deduct reject parts

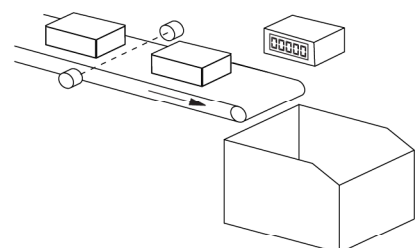
- Production data acquisition: total piece count and production speed, or absolute distance traversed and current speed



Rotary speed and drilling depth



Flow rate and total volume



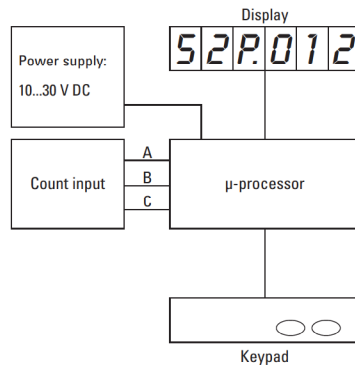
Piece count on conveyor and production speed

Position and Frequency display **CODIX 52P**

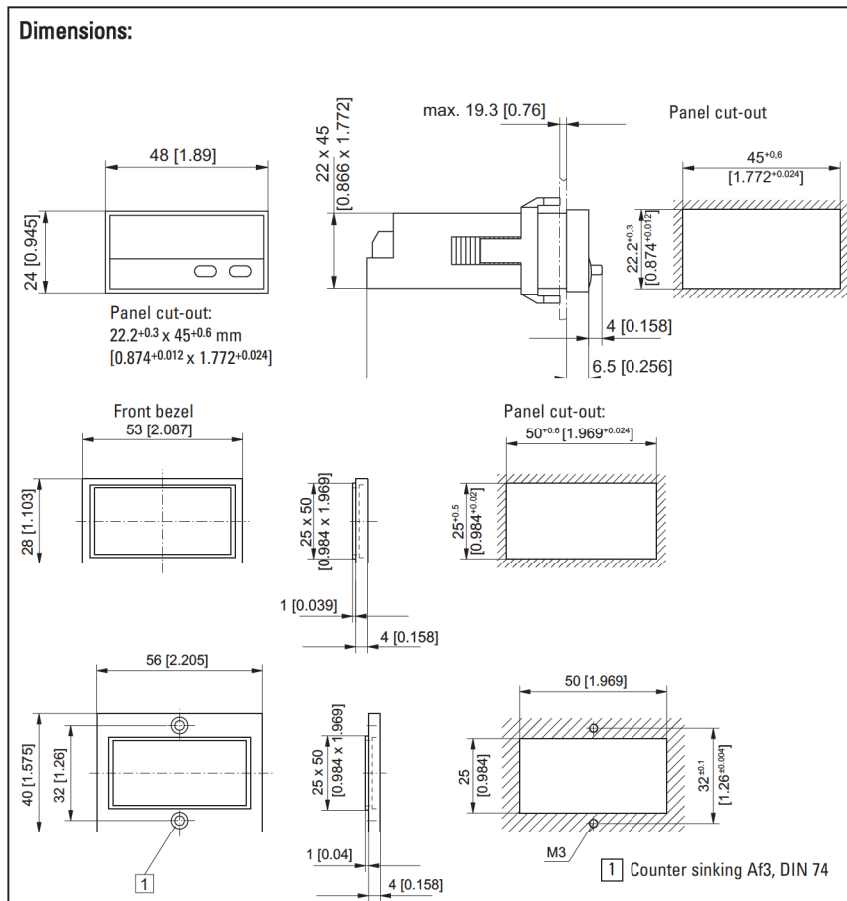
Technical data:

Supply voltage:	10 ... 30 V DC, with reverse polarity protection	Level of inputs:	Low: 0 ... 0.2 x U _B [V DC] High: 0.6 x U _B ... 30 V DC
Current consumption:	max. 40 mA	Level of inputs:	Low: 0 ... 2 V DC 5 V version High: 4 ... 30 V DC
Display:	6 digit red 7-segment LED; 8 mm [0.315"] high	Accuracy:	<0.1 % (Frequency display, tachometer)
Data backup:	EEPROM	EMC:	according to EC EMC directive 89/36/EWG
Housing:	dimension 48 x 24 mm [1.89 x 0.945"] according to DIN 43 700; RAL 7021, grey	Immunity to interference:	EN 61000-6-4/EN 55011 class B
Polarity of inputs:	programmable, npn or pnp for all inputs	Emitted interference:	EN 61000-6-2
Input resistance:	approx. 5 kΩ	Ambient temperature:	-10 ... +50 °C [14 ... 122 °F]
Counting frequency:	30 kHz, can be damped to 30 Hz	Storage temperature:	-25 ... +70 °C [-13 ... 158 °F]
Reset time:	5 ms	Protection:	IP 65 front side
		Weight:	approx. 50 g [1.764 oz]

Block diagram:



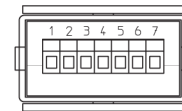
Dimensions:



Connections:

without optocoupler

- 1 10 ... 30 V DC
- 2 0 V GND
- 3 INP A
- 4 INP B
- 5 Reset



Delivery specifications:

- 1 Digital display
- 1 Panel mounting clip
- 1 Bezel for screw mounting, panel cut out 50 x 25 mm [1.969 x 0.984"]
- 1 Bezel for clip mounting, panel cut out 50 x 25 mm [1.969 x 0.984"]
- 1 Seal
- 1 Multilingual operating instructions

Order code:

6.52P.012.3X0

- Input switch level
- 0 = Standard*
- A = 5 V

* standard stock model