

15S Series



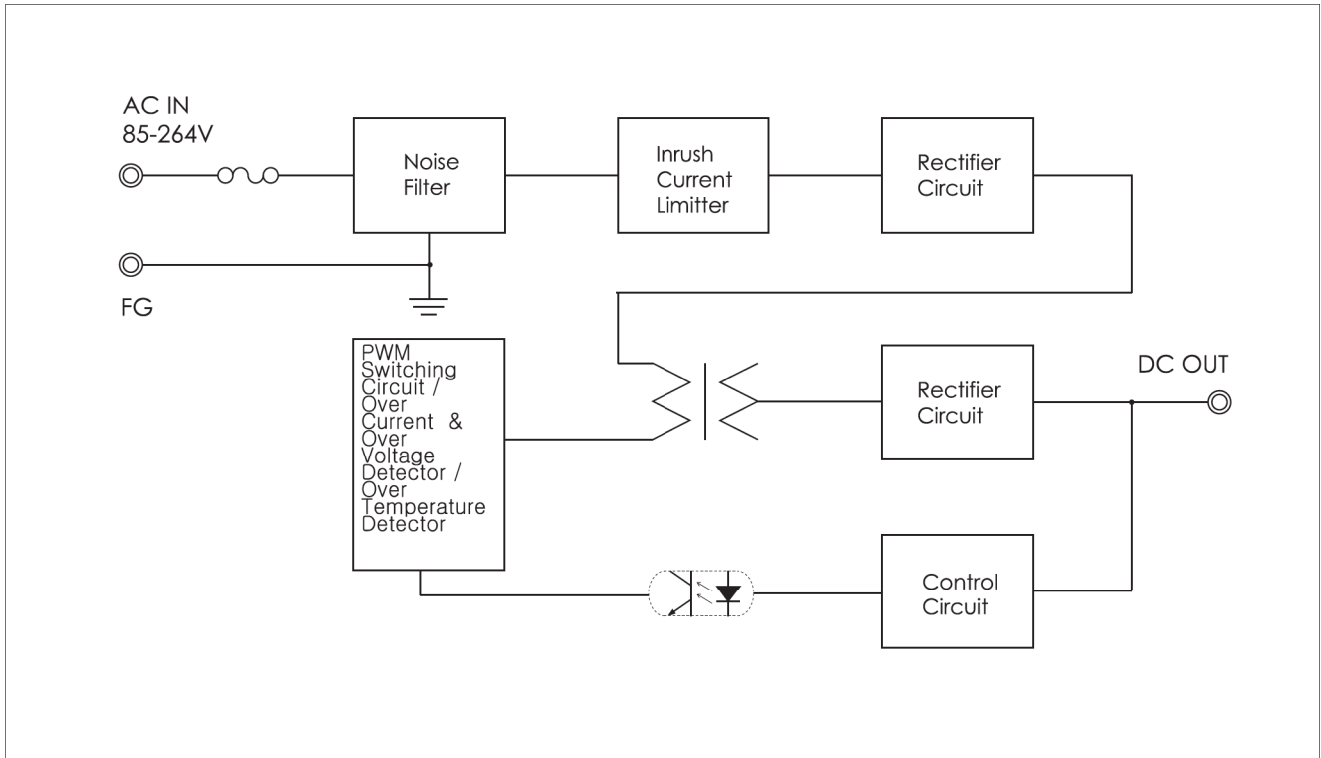
15W 1-Channel

- **5V3A/9V1.6A/12V1.2A/15V1A/24V0.6A/36V0.4A/48V0.3A Output**
- **Wide Input Voltage Range (AC85-264V)**
- **Built-in Inrush Current Limiter, Over Current Protector and Over Voltage Protector**
- **Over Temperature Protection**
- **Auto-Restart Mode**
- **Approved by EN 60950-1 CE**

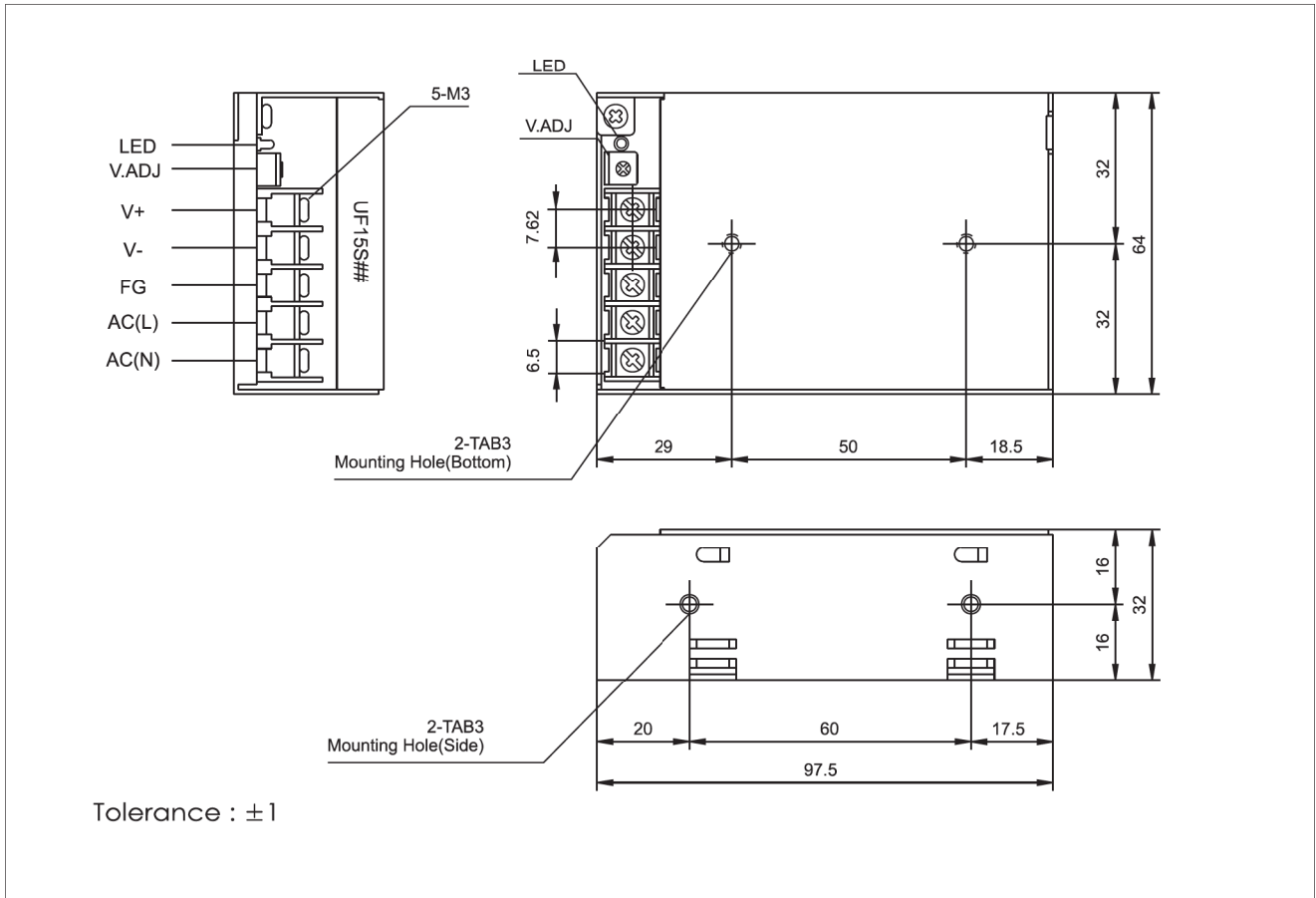
SPECIFICATIONS

Item		UP15S05	UP15S09	UP15S12	UP15S15	UP15S24	UP15S36	UP15S48	
INPUT	VOLTAGE	AC85~264V					0.4A typ (ACIN 110V, Io=100%) 0.2A typ (ACIN 220V, Io=100%)		
	FREQUENCY	50/60Hz(47~63Hz)							
	EFFICIENCY	75% Typ	75% Typ	75% Typ	78% Typ	80% Typ	83% Typ	85% Typ	
	INRUSH CURRENT	20A Typ(ACIN 110V, Io=100%)/40A Typ(ACIN 220V, Io=100%) at cold start							
OUTPUT	VOLTAGE [V]	5	9	12	15	24	36	48	
	CURRENT [A]	3.0	1.6	1.2	1.0	0.6	0.4	0.3	
	LINE REGULATION [mV]	25 Max	45 Max	60 Max	75 Max	120 Max	180 Max	240 Max	
	LOAD REGULATION [mV]	50 Max	90 Max	120 Max	150 Max	240 Max	360 Max	480 Max	
	RIPPLE [mVp-p]	50 Max	90 Max	120 Max	150 Max	240 Max	360 Max	480 Max	
	RIPPLE NOISE [mVp-p]	100 Max	140 Max	170 Max	200 Max	290 Max	410 Max	530 Max	
	TEMPERATURE DRIFT,0-50°C[mV]	50 Max	90 Max	120 Max	150 Max	240 Max	360 Max	480 Max	
	RISE TIME [msec]	100 Max (ACIN 85V, Io=100%)							
HOLDING TIME [msec]	10 Typ(ACIN 85V, Io=100%)								
PROTEC-TION	OVER CURRENT PROTECTION	Works at over 110% of rating and recovers automatically							
	OVER VOLTAGE PROTECTION	Works at 115~140% of rating							
ISOLAT-ION	INPUT-OUTPUT	AC3,000V for 1 minute, DC500V 100Mohm (At room temp. & humid.)							
	INPUT-CASE, FG	AC1,500V for 1 minute, DC500V 100Mohm (At room temp. & humid.)							
	OUTPUT-CASE	AC500V for 1 minute, DC500V 100Mohm (At room temp. & humid.)							
ENVIRON-MENT	OPERATING TEMP. & HUMID.	-10~+50°C, 20~90%RH(Non condensing)							
	STORAGE TEMP. & HUMID.	-20~+75°C, 20~90%RH(Non condensing)							
	VIBRATION	10~50Hz at 1G 3 minutes period, 30 minutes along X, Y and Z axis							
	IMPACT	10G for 20 msec, Once on each X, Y and Z axis							
	APPROVALS	CE	CE	CE	CE	CE			

BLOCK DIAGRAM



DIMENSIONS(UNITS : MM)



S.M.P.S