

50S Series



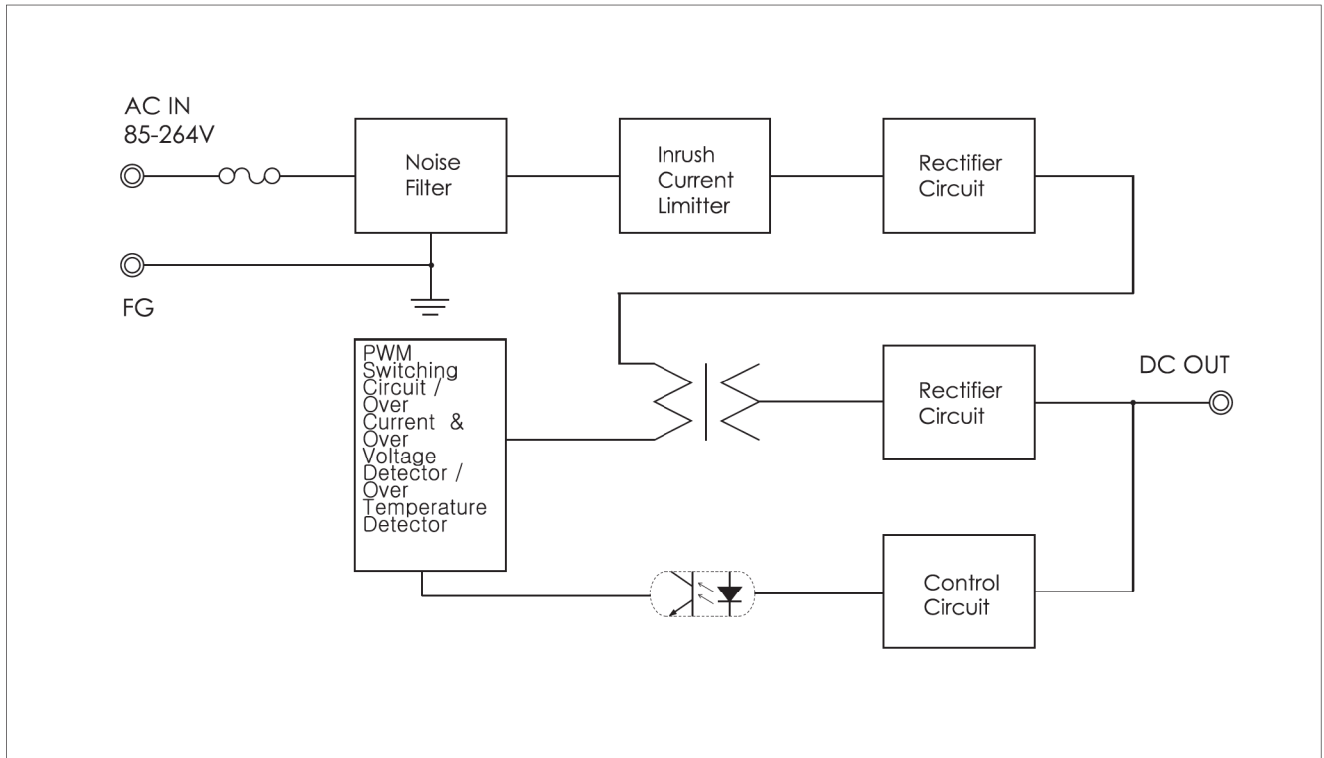
50W 1-Channel

- **5V10A/9V5.5A/12V4.1A/15V3.3A/24V2A/36V1.3A/48V1A Output**
- **Wide Input Voltage Range (AC85-264V)**
- **Built-in Inrush Current Limiter, Over Current Protector and Over Voltage Protector**
- **Over Temperature Protection**
- **Auto-Restart Mode**
- **Approved by EN 60950-1 CE**

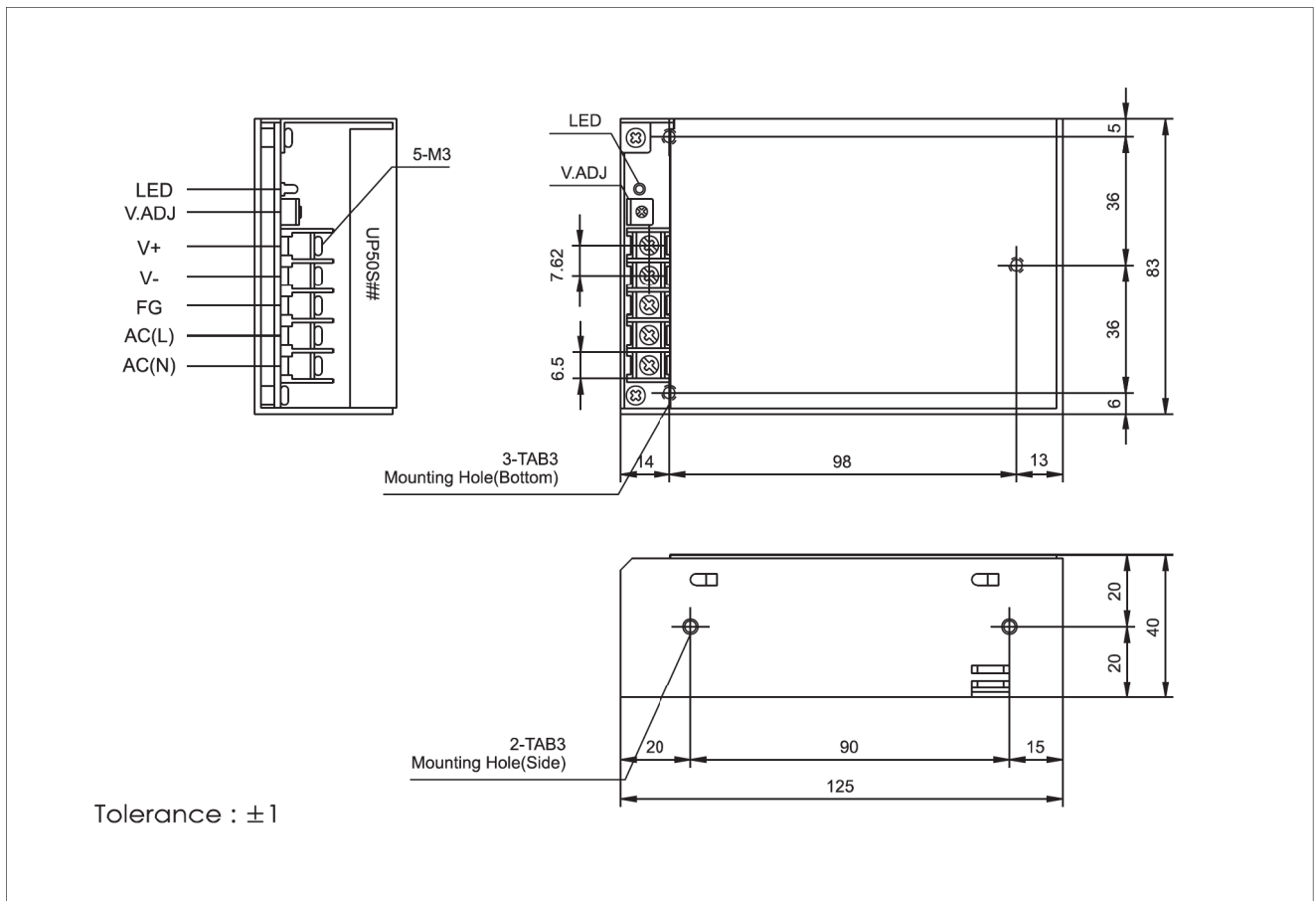
SPECIFICATIONS

Item		UP50S05	UP50S09	UP50S12	UP50S15	UP50S24	UP50S36	UP50S48	
INPUT	VOLTAGE	AC85~264V					1.2A typ (ACIN 110V, lo=100%) 0.6A typ (ACIN 220V, lo=100%)		
	FREQUENCY	50/60Hz(47~63Hz)							
	EFFICIENCY	70% Typ	75% Typ	80% Typ	80% Typ	83% Typ	83% Typ	85% Typ	
	INRUSH CURRENT	20A Typ(ACIN 110V, lo=100%)/40A Typ(ACIN 220V, lo=100%) at cold start							
OUTPUT	VOLTAGE [V]	5	9	12	15	24	36	48	
	CURRENT [A]	10.0	5.5	4.1	3.3	2.0	1.3	1.0	
	LINE REGULATION [mV]	25 Max	45 Max	60 Max	75 Max	120 Max	180 Max	240 Max	
	LOAD REGULATION [mV]	50 Max	90 Max	120 Max	150 Max	240 Max	360 Max	480 Max	
	RIPPLE [mVp-p]	50 Max	90 Max	120 Max	150 Max	240 Max	360 Max	480 Max	
	RIPPLE NOISE [mVp-p]	100 Max	140 Max	170 Max	200 Max	290 Max	410 Max	530 Max	
	TEMPERATURE DRIFT,0-50°C [mV]	50 Max	90 Max	120 Max	150 Max	240 Max	360 Max	480 Max	
	RISE TIME [msec]	100 Max (ACIN 85V, lo=100%)							
	HOLDING TIME [msec]	10 Typ(ACIN 85V, lo=100%)							
PROTECTION	OVER CURRENT PROTECTION	Works at over 110% of rating and recovers automatically							
	OVER VOLTAGE PROTECTION	Works at 115~140% of rating							
ISOLATION	INPUT-OUTPUT	AC3,000V for 1 minute, DC500V 100Mohm (At room temp. & humid.)							
	INPUT-CASE, FG	AC1,500V for 1 minute, DC500V 100Mohm (At room temp. & humid.)							
	OUTPUT-CASE	AC500V for 1 minute, DC500V 100Mohm (At room temp. & humid.)							
ENVIRONMENT	OPERATING TEMP. & HUMID.	-10~+50°C, 20~90%RH(Non condensing)							
	STORAGE TEMP. & HUMID.	-20~+75°C, 20~90%RH(Non condensing)							
	VIBRATION	10~55Hz at 1G 3 minutes period, 30 minutes along X, Y and Z axis							
	IMPACT	10G for 20 msec, Once on each X, Y and Z axis							
	APPROVALS	CE	CE	CE	CE	CE			

BLOCK DIAGRAM



DIMENSIONS(UNITS : MM)



S.M.P.S