

# 100S Series



## 100W 1-Channel

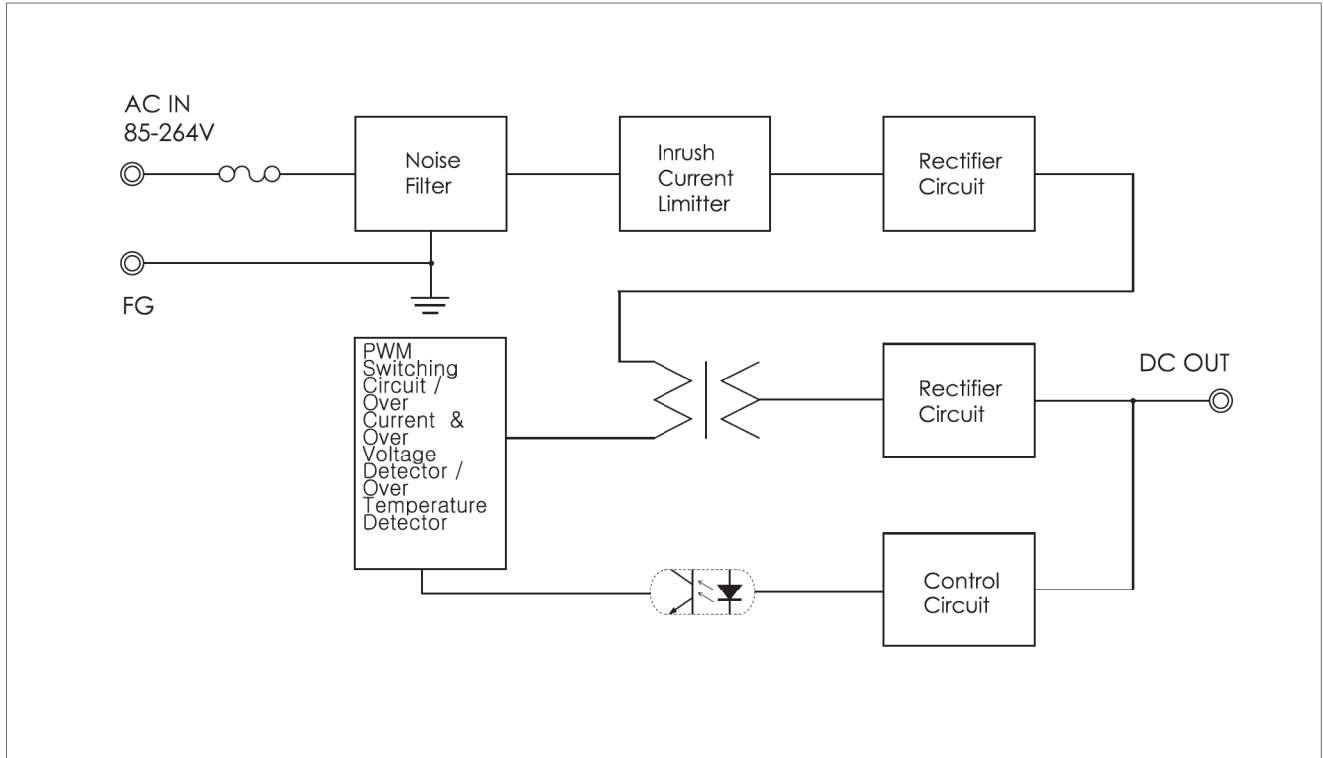
- **5V20A/12V8.3A/15V6.6A  
24V4.1A/36V2.7A/48V2A  
Output**
- **Wide Input Voltage Range  
(AC85-264V)**
- **Built-in Inrush Current  
Limiter, Over Current  
Protector and Over  
Voltage Protector**
- **Over Temperature  
Protection**
- **Auto-Restart Mode**
- **Approved by EN 60950-1 CE**

### SPECIFICATIONS

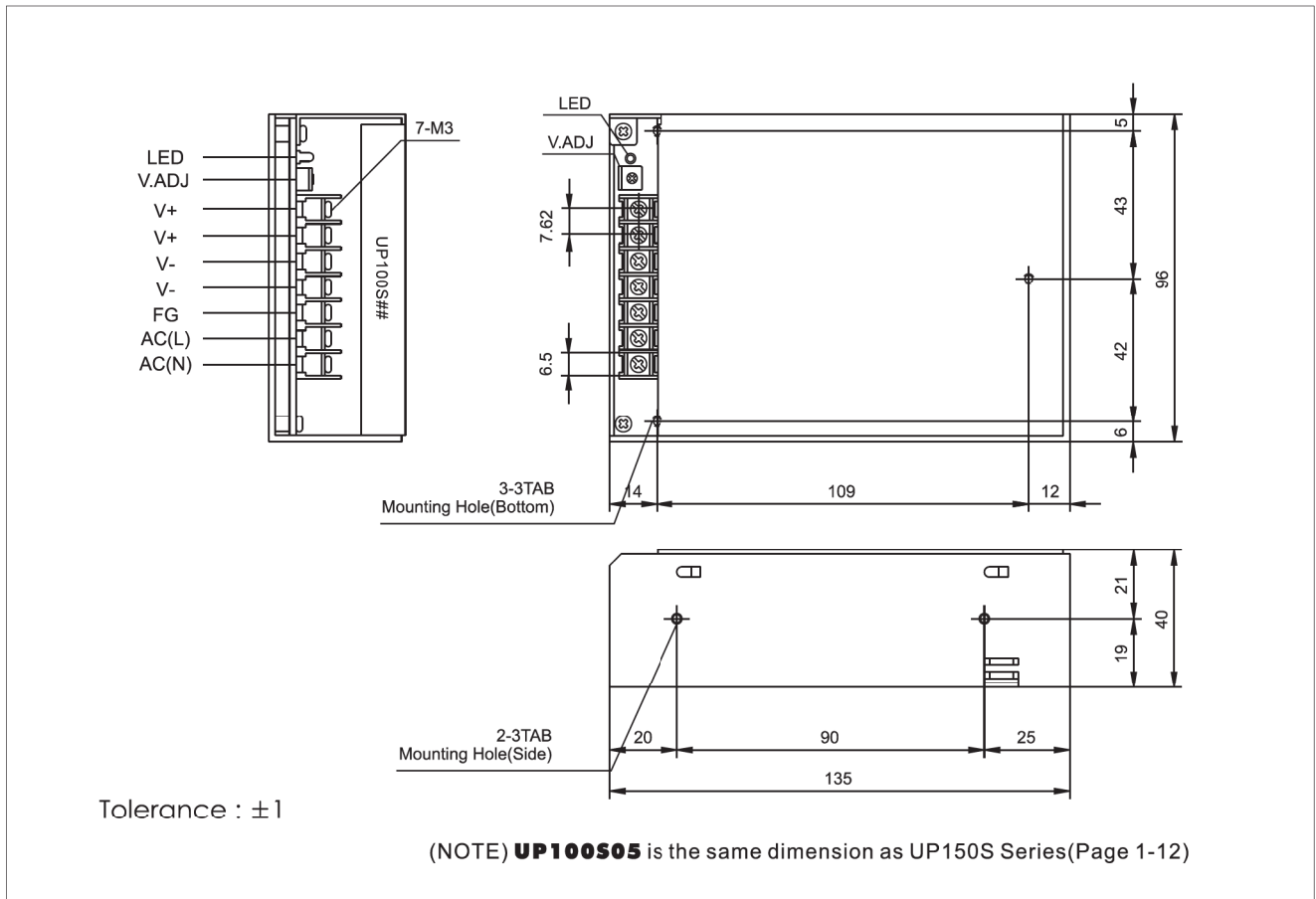
Item		UP100S05	UP100S12	UP100S15	UP100S24	UP100S36	UP100S48
INPUT	VOLTAGE	same as UP150S05	AC85~264V			2.5A typ (ACIN 110V, Io=100%) 1.4A typ (ACIN 220V, Io=100%)	
	FREQUENCY	50/60Hz(47~63Hz)					
	EFFICIENCY (NOTE)	78% Typ	80% Typ	80% Typ	82% Typ	83% Typ	85% Typ
	INRUSH CURRENT	20A Typ(ACIN 110V, Io=100%)/40A Typ(ACIN 220V, Io=100%) at cold start					
OUTPUT	VOLTAGE [V]	<b>5</b>	<b>12</b>	<b>15</b>	<b>24</b>	<b>36</b>	<b>48</b>
	CURRENT [A]	<b>20.0</b>	<b>8.3</b>	<b>6.6</b>	<b>4.1</b>	<b>2.7</b>	<b>2.0</b>
	LINE REGULATION [mV]	25 Max	60 Max	75 Max	120 Max	180 Max	240 Max
	LOAD REGULATION [mV]	50 Max	120 Max	150 Max	240 Max	360 Max	480 Max
	RIPPLE [mVp-p]	50 Max	120 Max	150 Max	240 Max	360 Max	480 Max
	RIPPLE NOISE [mVp-p]	100 Max	170 Max	200 Max	290 Max	410 Max	530 Max
	TEMPERATURE DRIFT,0-50°C [mV]	50 Max	120 Max	150 Max	240 Max	360 Max	480 Max
	RISE TIME [msec]	600 Max (ACIN 85V, Io=100%)					
	HOLDING TIME [msec]	15 Typ(ACIN 85V, Io=100%)					
PROTEC-TION	OVER CURRENT PROTECTION	Works at over 110% of rating and recovers automatically					
	OVER VOLTAGE PROTECTION	Works at 115~140% of rating					
ISOLAT-ION	INPUT-OUTPUT	AC3,000V for 1 minute, DC500V 100Mohm (At room temp. & humid.)					
	INPUT-CASE, FG	AC1,500V for 1 minute, DC500V 100Mohm (At room temp. & humid.)					
	OUTPUT-CASE	AC500V for 1 minute, DC500V 100Mohm (At room temp. & humid.)					
ENVIRON-MENT	OPERATING TEMP. & HUMID.	-10~+50°C, 20~90%RH(Non condensing)					
	STORAGE TEMP. & HUMID.	-20~+75°C, 20~90%RH(Non condensing)					
	VIBRATION	10~55Hz at 1G 3 minutes period, 30 minutes along X, Y and Z axis					
	IMPACT	10G for 20 msec, Once on each X, Y and Z axis					
	APPROVALS	CE	CE	CE	CE		

100S Series

BLOCK DIAGRAM



DIMENSIONS(UNITS : MM)



Tolerance :  $\pm 1$

(NOTE) **UP100S05** is the same dimension as UP150S Series(Page 1-12)

S.M.P.S