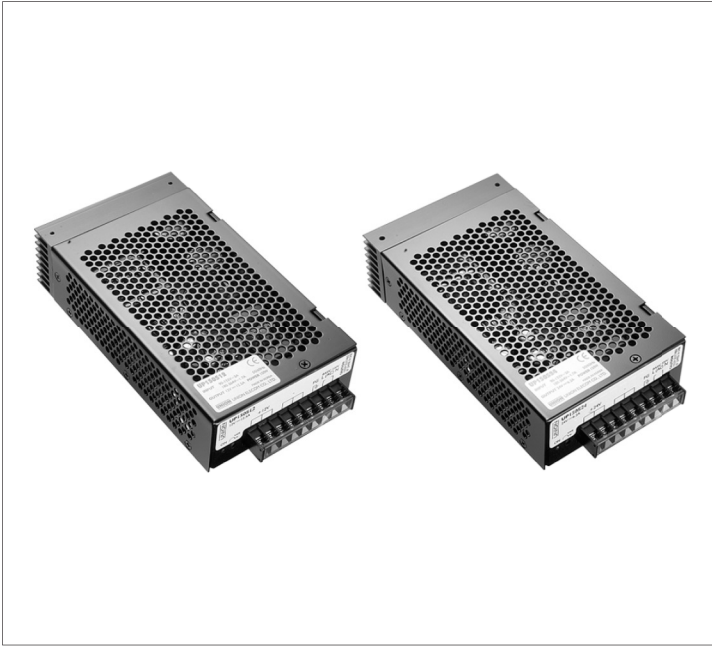


150S Series



150W 1-Channel

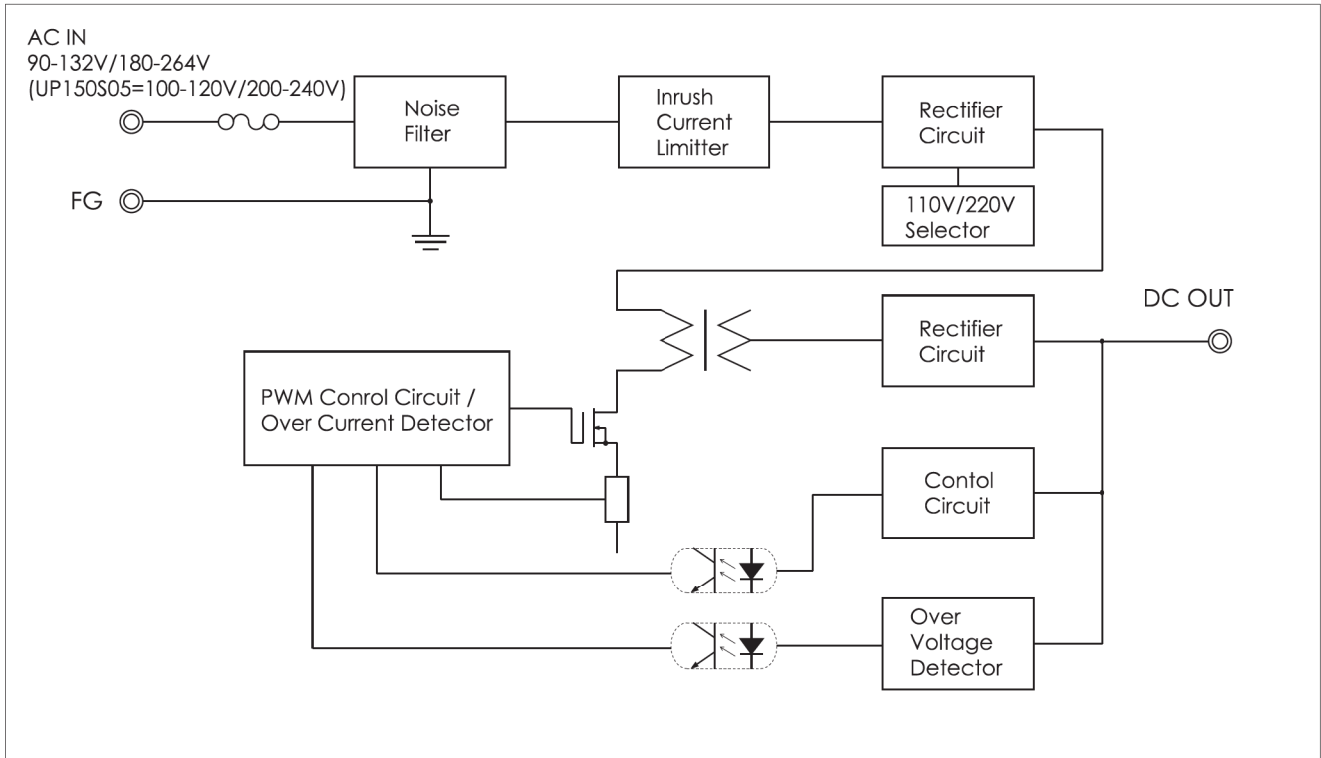
- **5V30A/12V12.5A/15V10A/24V6.2A/36V4.1A/48V3.1A Output**
- **Dual Input Voltage Range (AC90-132V/AC180-264V)**
- **Built-in Inrush Current Limiter, Over Current Protector and Over Voltage Protector**
- **Auto-Restart Mode**
- **Approved by EN 60950-1 CE**

SPECIFICATIONS

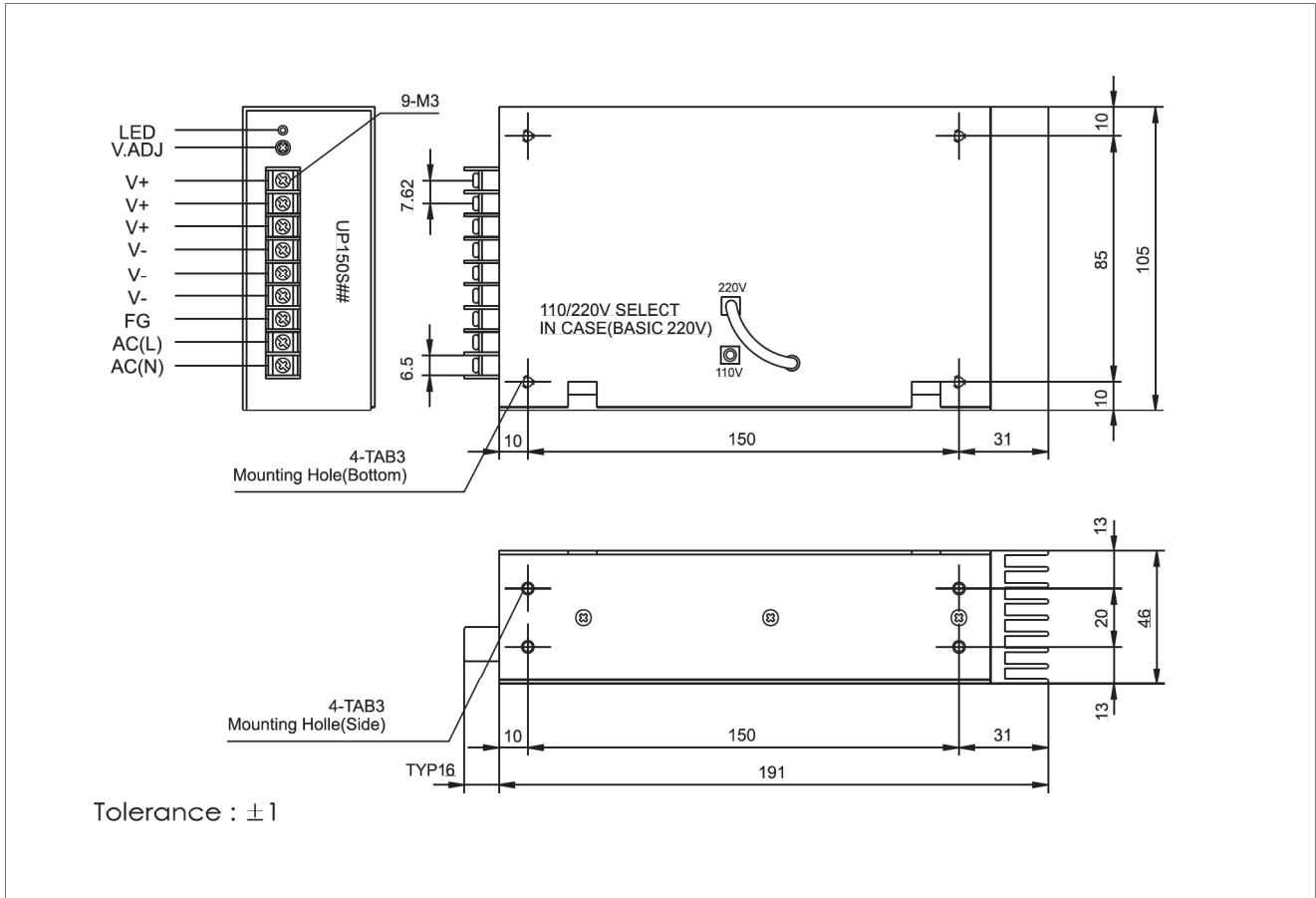
Item		UP150S05	UP150S12	UP150S15	UP150S24	UP150S36	UP150S48
INPUT	VOLTAGE	AC100~120V /200~240V	AC90~132V/180~264V			3.7A typ (ACIN 110V, lo=100%) 2.1A typ (ACIN 220V, lo=100%)	
	FREQUENCY	50/60Hz(47~63Hz)					
	EFFICIENCY	75% Typ	78% Typ	80% Typ	80% Typ	83% Typ	85% Typ
	INRUSH CURRENT	20A Typ(ACIN 110V, lo=100%)/40A Typ(ACIN 220V, lo=100%) at cold start					
OUTPUT	VOLTAGE [V]	5	12	15	24	36	48
	CURRENT [A]	30.0	12.5	10.0	6.2	4.1	3.1
	LINE REGULATION [mV]	25 Max	60 Max	75 Max	120 Max	180 Max	240 Max
	LOAD REGULATION [mV]	50 Max	120 Max	150 Max	240 Max	360 Max	480 Max
	RIPPLE [mVp-p]	50 Max	120 Max	150 Max	240 Max	360 Max	480 Max
	RIPPLE NOISE [mVp-p]	100 Max	170 Max	200 Max	290 Max	410 Max	530 Max
	TEMPERATURE DRIFT,0-50°C [mV]	50 Max	120 Max	150 Max	240 Max	360 Max	480 Max
	RISE TIME [msec]	600 Max (ACIN 90V/180V, lo=100%)					
	HOLDING TIME [msec]	15 Typ(ACIN 90V/180V, lo=100%)					
PROTECTION	OVER CURRENT PROTECTION	Works at over 110% of rating and recovers automatically					
	OVER VOLTAGE PROTECTION	Works at 115~140% of rating					
ISOLATION	INPUT-OUTPUT	AC3,000V for 1 minute, DC500V 100Mohm (At room temp. & humid.)					
	INPUT-CASE, FG	AC1,500V for 1 minute, DC500V 100Mohm (At room temp. & humid.)					
	OUTPUT-CASE	AC500V for 1 minute, DC500V 100Mohm (At room temp. & humid.)					
ENVIRONMENT	OPERATING TEMP. & HUMID.	-10~+50°C, 20~90%RH(Non condensing)					
	STORAGE TEMP. & HUMID.	-20~+75°C, 20~90%RH(Non condensing)					
	VIBRATION	10~55Hz at 1G 3 minutes period, 30 minutes along X, Y and Z axis					
	IMPACT	10G for 20 msec, Once on each X, Y and Z axis					
	APPROVALS	CE	CE	CE	CE	CE	CE

150S Series

BLOCK DIAGRAM



DIMENSIONS(UNITS : MM)



S.M.P.S