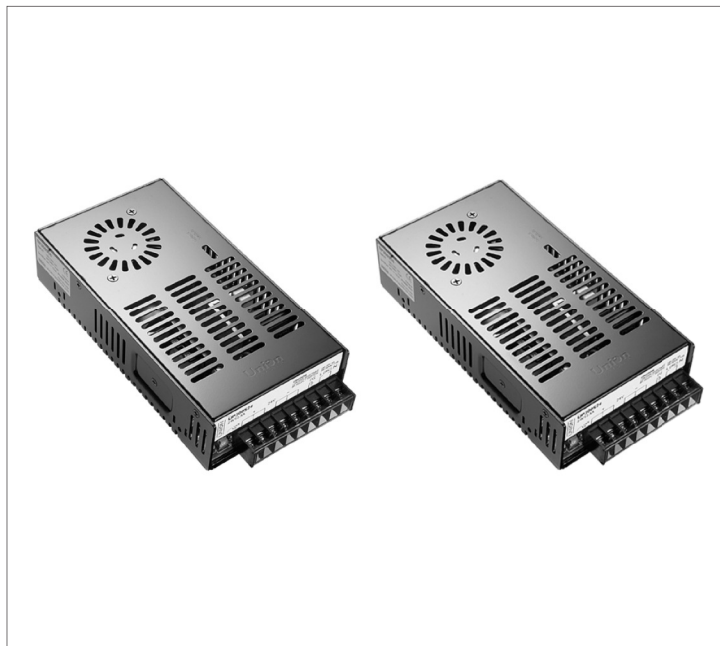


300S Series



300W 1-Channel

- **5V60A/12V25A/24V12.5A/36V8.3A/48V6.2A Output**
- **Dual Input Voltage Range (AC100-120V/AC200-240V)**
- **Built-in Inrush Current Limiter, Over Current Protector and Over Voltage Protector**
- **Over Temperature Protection**
- **Approved by EN 60950-1 CE**

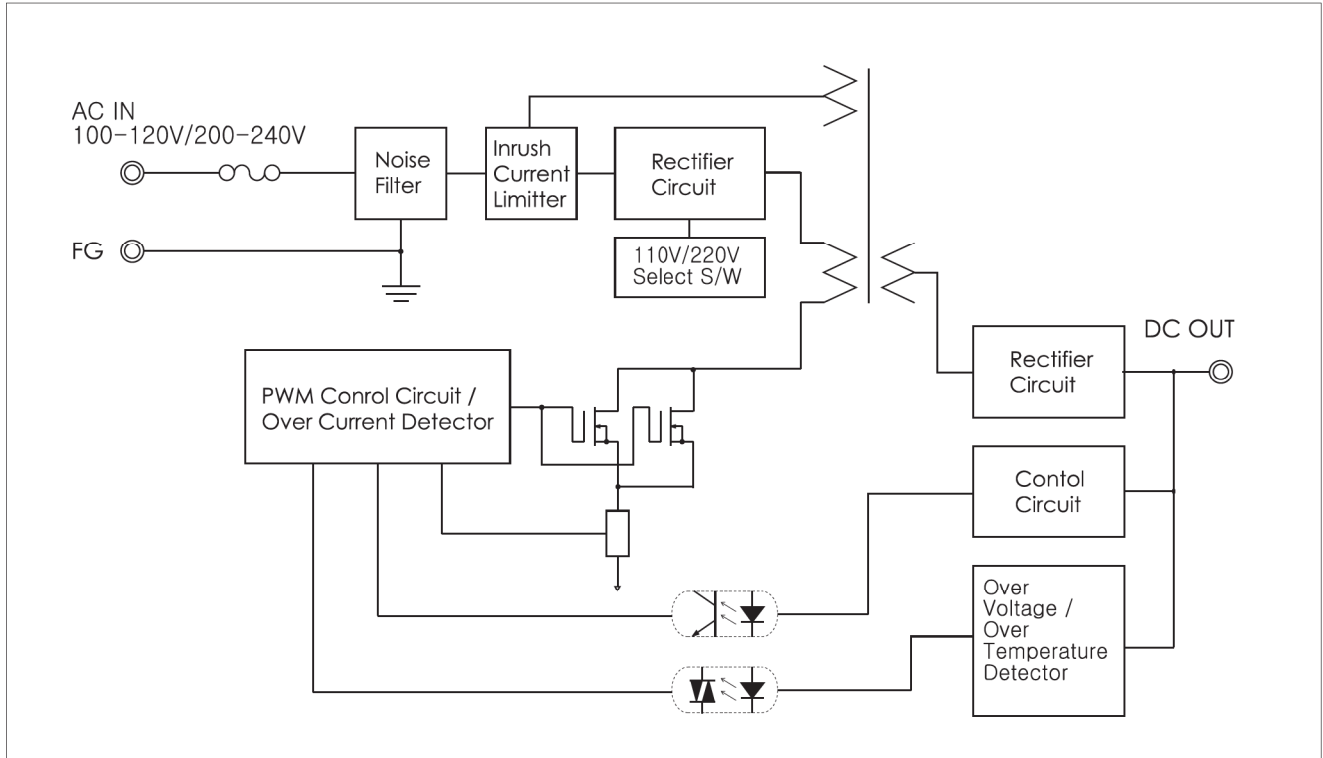
SPECIFICATIONS

Item		UP300S05	UP300S12	UP300S24	UP300S36	UP300S48
INPUT	VOLTAGE	AC100~120V/200~240V				5.5A typ (ACIN 110V, Io=100%) 3.5A typ (ACIN 220V, Io=100%)
	FREQUENCY	50/60Hz(47~63Hz)				
	EFFICIENCY	75% Typ	80% Typ	85% Typ	85% Typ	85% Typ
	INRUSH CURRENT	20A Typ(ACIN 110V, Io=100%)/40A Typ(ACIN 220V, Io=100%) at cold start				
OUTPUT	VOLTAGE [V]	5	12	24	36	48
	CURRENT [A]	60.0	25.0	12.5	8.3	6.2
	LINE REGULATION [mV]	25 Max	60 Max	120 Max	180 Max	240 Max
	LOAD REGULATION [mV]	50 Max	120 Max	240 Max	360 Max	480 Max
	RIPPLE [mVp-p]	50 Max	120 Max	240 Max	360 Max	480 Max
	RIPPLE NOISE [mVp-p]	100 Max	170 Max	290 Max	410 Max	530 Max
	TEMPERATURE DRIFT,0-50°C [mV]	50 Max	120 Max	240 Max	360 Max	480 Max
	RISE TIME [msec]	600 Max (ACIN 100V/200V, Io=100%)				
	HOLDING TIME [msec]	20 Typ(ACIN 100V/200V Io=100%)				
PROTECTION	OVER CURRENT PROTECTION	Works at over 110% of rating and recovers automatically				
	OVER VOLTAGE PROTECTION	Works at 115~140% of rating				
ISOLATION	INPUT-OUTPUT	AC3,000V for 1 minute, DC500V 100Mohm (At room temp. & humid.)				
	INPUT-CASE, FG	AC1,500V for 1 minute, DC500V 100Mohm (At room temp. & humid.)				
	OUTPUT-CASE	AC500V for 1 minute, DC500V 100Mohm (At room temp. & humid.)				
ENVIRONMENT	OPERATING TEMP. & HUMID.	-10~+50°C, 20~90%RH(Non condensing)				
	STORAGE TEMP. & HUMID.	-20~+75°C, 20~90%RH(Non condensing)				
	VIBRATION	10~55Hz at 1G 3 minutes period, 30 minutes along X, Y and Z axis				
	IMPACT	10G for 20 msec, Once on each X, Y and Z axis				
	APPROVALS	CE	CE	CE	CE	CE

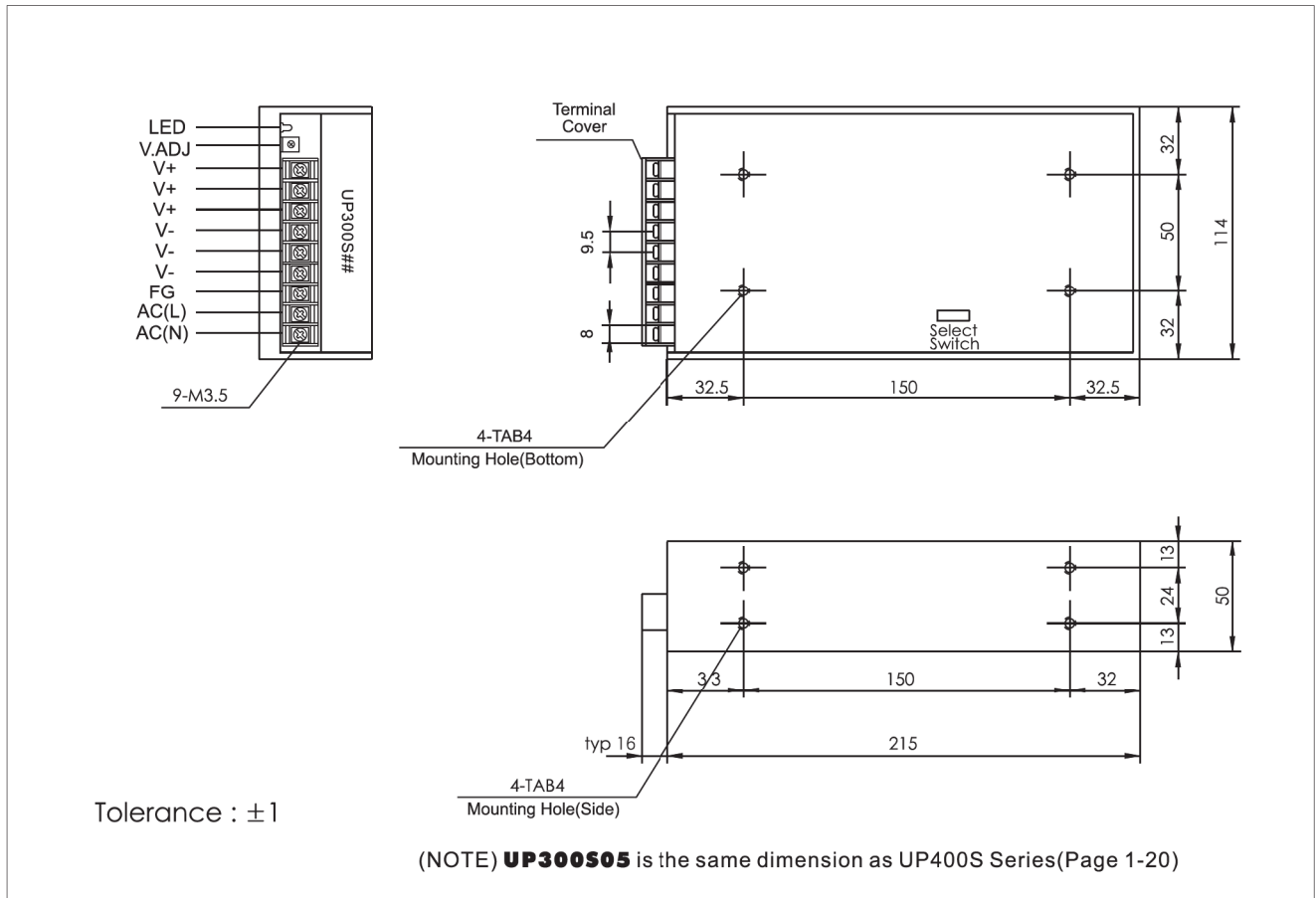
S.M.P.S

300S Series

BLOCK DIAGRAM



DIMENSIONS(UNITS : MM)



S.M.P.S