

Counters with dual function – HC 77



- **Combination counter consists of hour meter and adding counter in one**
- Without reset
- High shock resistance
- Magnified figures
- Protection IP 52 front side
- Data retention if power is lost
- Long service life
- UL-approval

Applications:

general counting, service interval for measurement systems (respiratory ventilators, oxygen machines, dialysis machines), small appliances, UV lamps, display panels in cars, lifts, burners for heating systems.

Technical data:

Electrical connection:	Flat pin 0.8 x 6.3 mm [0.032 x 0.248"] with screw terminal tightening torque max. 0.8 Nm	
Power consumption:	10 ... 30 V DC:	approx. 1 W
	36 ... 80 V DC:	approx. 1.65 W
	100 ... 130 V DC:	approx. 1.75 W
	20 ... 30 V AC, 50 Hz:	approx. 0.53 VA
	42...48 V AC, 50 Hz:	approx. 0.53 VA
Rated voltages:	100...130 V AC, 50 Hz:	approx. 1.43 VA
	187...264 V AC, 50 Hz:	approx. 3.0 VA
	20 ... 30/42 ... 48/100 ... 130/187 ... 264 V AC 50 or 60 Hz, 10 ... 30/36 ... 80/100 ... 130 V DC	
On time:	100 %	
Count mode:	adding	
Height of figures:	4 x 1.7 mm [0.158 x 0.067"]	
Colour of figures:	hour: white on black	
	decimal: red on black	
Operating indicator of the running time meter:		
AC:	Fast rotating wheel with red dashes: 99999.99 h	
DC:	1/100 h display turns continuously by 1 digit in 36 s: 999999.99 h	
Accuracy:	AC: Supply frequency + 30 ms	
	DC: < 0.003 % (24 h)	
Reset:	no	
Ambient temperature:	-15 ... +50 °C [5 ... 122 °F]	
Mounting position:	any	
Protection:	IP 52 (from front, when built in)	
Colour of housing:	black	
Weights:	HC 77	65 g [2.293 oz]
	plug in frame 55	8 g [0.282 oz]
	plug in frame 72	13 g [0.45 oz]

Options:

1. Colour of housing: grey
Art-No. 3.55X.400.XXX
2. Flat pin 0.8 x 6.3 mm [0.032 x 0.248"]
Art-No.: 3.55X.40X.XXX.011
3. Separate connections for running time meter and adding counter. This model is available for AC or DC (not mixed)
Adding counter max. 10 Imp/s
Electrical connections:
2 x cable 2 x 0.5 mm² [0.00077 square yards] NYFAZ, 0.5 m [0.547 yard] long
(hour meter cable red/black, adding counter grey cable)
Art-No. 3.55X.40X.XXX.060
4. Sealed window (IP 65 front) with:
 - Screw terminal:
Art-No. 3.55X.40X.XXX.419
 - Flat pin 0.8 x 6.3 mm [0.032 x 0.248"]
Art-No. 3.55X.40X.XXX.062
 - Separated connections (cable)
Art-No. 3.55X.40X.XXX.061

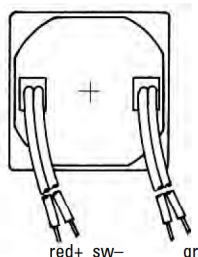
Approvals:

UL for USA and Canada E128604

Order information:

Art-No. (for special voltages etc. indicate exact model, voltage and frequency e.g. HC 77, 120 V AC, 60 Hz)

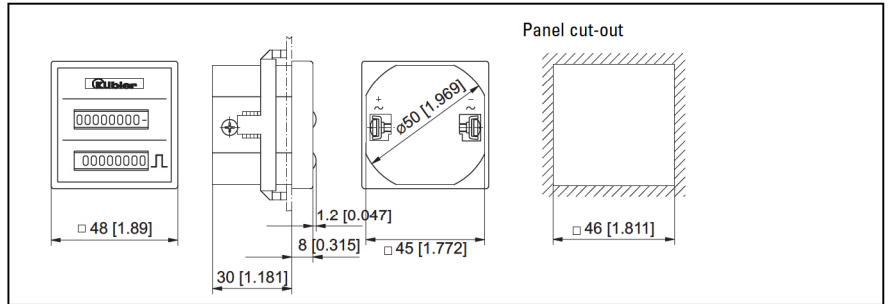
Meter with separate connections (rear view)



Hour meter adding counter

Counters with dual function – HC 77

HC 77

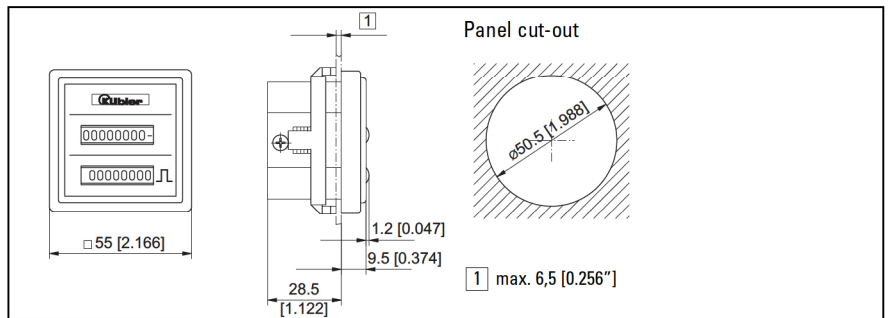


Voltage	Art-No. (AC), 50 Hz	Art-No. (AC), 60 Hz	Art-No. (V DC)
10 ... 30			3.550.401.351*
20 ... 30	3.550.401.071*	3.550.401.081	
42 ... 48	3.550.401.072	3.550.401.082	
100 ... 130	3.550.401.074*	3.550.401.084	3.550.401.381
187 ... 264	3.550.401.075*	3.550.401.085	

Further stock models with separate connections: 3.550.401.351.060

Colour of housing grey: Art. no.3.550.400.XXX

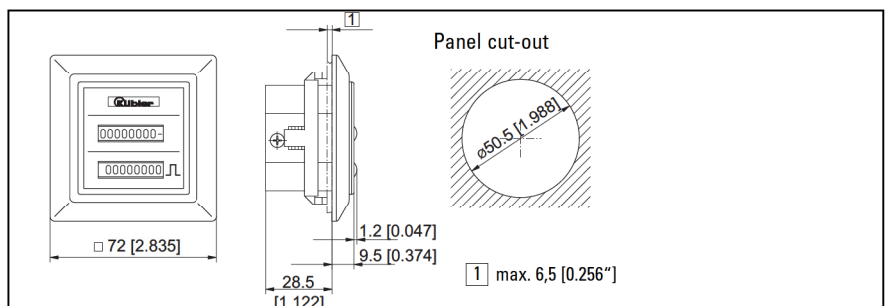
HC 77.55



Voltage	Art-No. (AC), 50 Hz	Art-No. (AC), 60 Hz	Art-No. (V DC)
10 ... 30			3.551.401.351
20 ... 30	3.551.401.071	3.551.401.081	
42 ... 48	3.551.401.072	3.551.401.082	
100 ... 130	3.551.401.074	3.551.401.084	3.551.401.381
187 ... 264	3.551.401.075	3.551.401.085	

Colour of housing grey: Art. no. 3.551.400.XXX

HC 77.72



Voltage	Art-No. (AC), 50 Hz	Art-No. (AC), 60 Hz	Art-No. (V DC)
10 ... 30			3.552.401.351
20 ... 30	3.552.401.071	3.552.401.081	
36 ... 80			3.552.401.353
42 ... 48	3.552.401.072	3.552.401.082	
100 ... 130	3.552.401.074	3.552.401.084	3.552.401.381
187 ... 264	3.552.401.075	3.552.401.085	

For panel cut-outs 66 x 66 mm [2.599 x 2.599"] and 68 x 68 mm [2.678 x 2.678"] adapters are available as accessories.
 Adapter 66 x 66 mm [2.599 x 2.599"]:
 Art. no. T.009.423
 Adapter 68 x 68 mm [2.678 x 2.678"]:
 Art. no. T.009.420

Colour of housing grey: 3.552.400.XXX