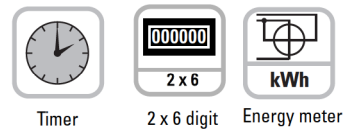
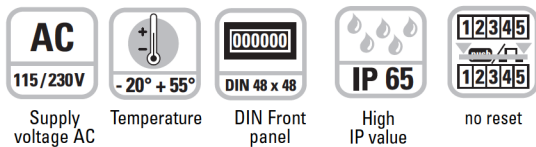


Energy and Time Counter – HW 66 / HW 66 M (MID)



Innovative:

- Metering of hours run and energy consumption in one compact device
- Wide temperature range
- Panel mounting
- Remote readout via SO outputs on request



Safe and accurate:

- Tamper-proof fixed installation
- High measuring accuracy
- Can be officially calibrated
- High degree of protection

Informative:

- Shows both values in parallel
- Can also be read if no voltage present
- 2 x 6-digit easy-to-read display

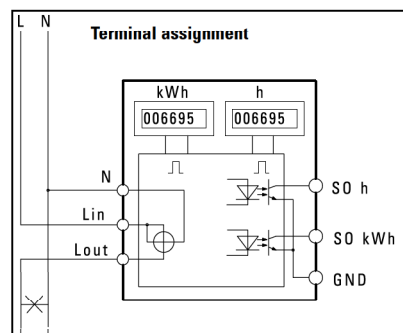
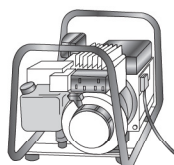
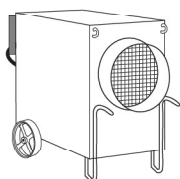
Characteristics

General	
Supply voltage:	115/230 V AC, -20 % / +15 % 50 or 60 Hz
Digits:	2 x 6 digit (single units digit red)
Height of figures (optical):	4 x 1,7 mm
Colour of figures:	white and red on black
Temperature range:	-20 °C to +55 °C
Storage temperature:	-25 °C to +65 °C
Housing:	DIN panel-mount 48 x 48 mm, depth 55 mm
Protection:	IP 65, DIN 60529 front
Connections:	touch-safe, max. core cross-section 2,5 mm ²
Connections SO output:	touch-safe, max. core cross-section 1,0 mm ²
LED function:	LED ON, when power supply is connected LED blinks, when energy is being measured

Energy meter	
Accuracy:	Class B, acc. to MID (for 50 Hz version)
Current:	I _B = 5 A, I _{max} = 16 A
Current limits:	≥ 20 mA up to 16 A
Start current:	≥ 20 mA
SO output:	1000 pulses per kWh, 5 ... 30 V DC, I _{max} = 20 mA
Standard:	EN62052-11, EN62053-21
Hour meter	
Accuracy:	± 2 %
SO output:	10 pulses/h, 5 ... 30 V DC, I _{max} = 20 mA

Applications:

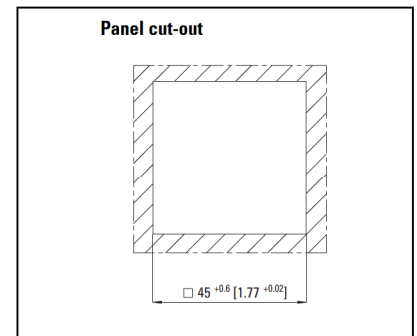
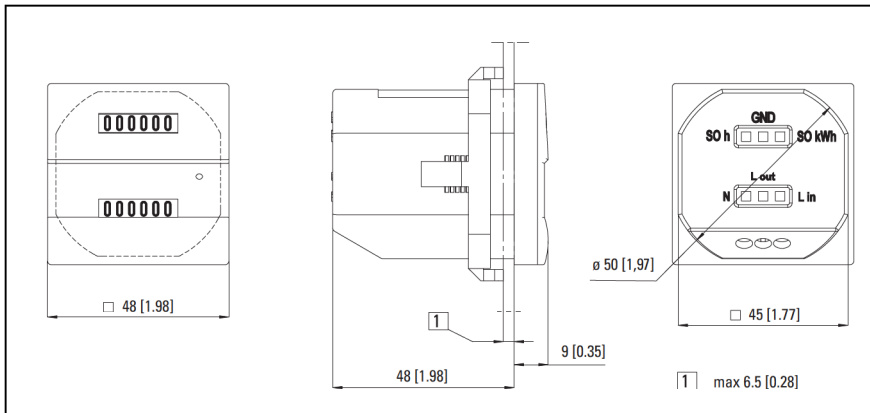
- Dehumidifiers
- Air-conditioning
- Hire equipment and machinery
- Production equipment



Retro- or standard fitting in dehumidifiers, current generators etc. for the accurate, traceable billing of operating and energy costs

Energy and Time Counter – HW 66 / HW 66 M (MID)

Dimensions:



Order codes:

HW66 230 V AC: 3.563.201.075

HW66 115 V AC: 3.563.201.074

Delivery includes:

- Counter
- Gasket
- Mounting clip

MID version:

HW66 M 230 V AC: 3.56M.201.075

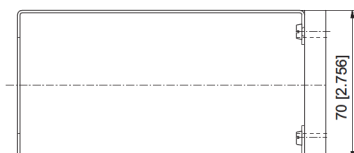
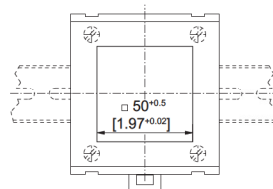
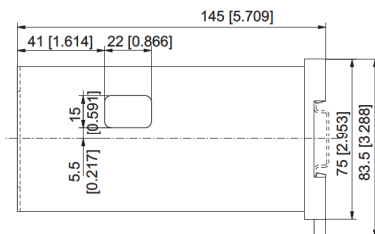


MID-version

Accessories for DIN rail mount:

- Cut-out \square 45 mm
- For snap-on fitting to 35 mm [1.378"] top hat DIN rails
- Construction:
 - Mounting panel for counter: chromate passivation sheet steel
 - Top hat DIN rail adapter: glass fibre reinforced polyamide
- Applications include for example control cabinets

Dimensions:



Adapter bezel (T008 853) for cut-out 45 x 45 is included in the delivery



Order code: G.300.003