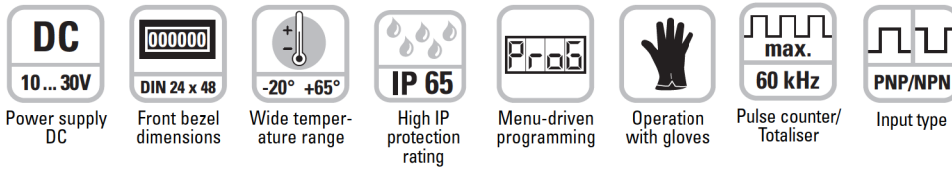


## LED Pulse Counters – Codix 52T

### 2 Pulse counters with separate scaling



#### Powerful

- **Fast count input**  
Input frequency max. 60 kHz
- **Robust housing**  
IP 65 protection
- **LED display**  
Very bright, 8 mm high
- **Single channel dual totaliser**  
Programmable for positive (PNP) or 0 V (NPN) switching input pulses  
Fast count input with an input frequency of max. 60 kHz, damped to 30 Hz for mechanical contacts.
- **Fast start-up time**  
Detects incoming pulses just 16 ms after being switched on – so no pulses are lost with a simultaneous motor start-up



#### User-friendly

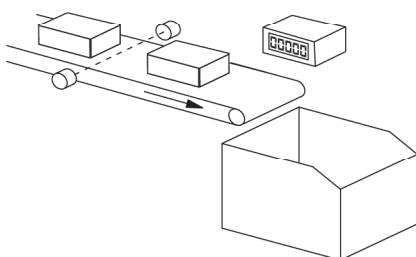
- **Big keys**  
Can also be operated when using gloves
- **Easy to programme**  
Easy menu-driven programming and operation  
Possibility to enter the programming mode during operation, with authentication query

#### Universal

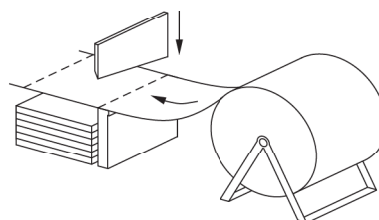
- **Separate scaling for both counters**  
Multiplication and division factor (0.0001... 99.9999), to show corresponding units in e.g. litres, length or packaging size.
- **Simple display switching**  
between Counter 1 and Counter 2
- **DC power supply**
- **Inputs**  
As an alternative to the HTL inputs, models are also available with a fixed signal level threshold >4 V DC for use with TTL signals
- **Reset manual or electrical**  
Can be programmed separately for both counters. The reset can also be locked-out.

### Application examples for the dual totaliser

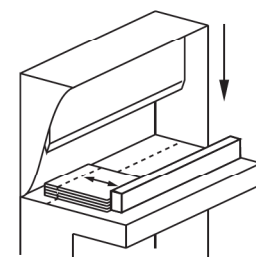
- Logging of production data, piece count and overall total
- Totalising of flow volumes, quantities and other scalable media
- Counting tasks, such as quantities and piece counting
- Accessories, OEM or retrofit equipment for production machinery
- Piece counting on die-cutters, presses, extruders, wood-processing machines, drilling machines, pick-and-place machines, guillotines, special vehicles
- Measurement of packing units and overall total count in one device
- Recording of the total results from 2 work-shifts



Total piece count as well as packing units



Individual and total quantities



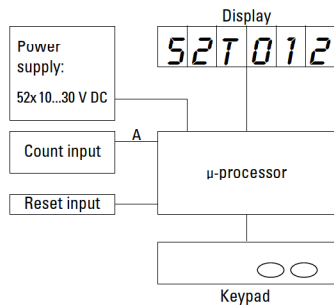
Individual and total quantity from 2 work-shifts

## LED Pulse Counters – Codix 52T

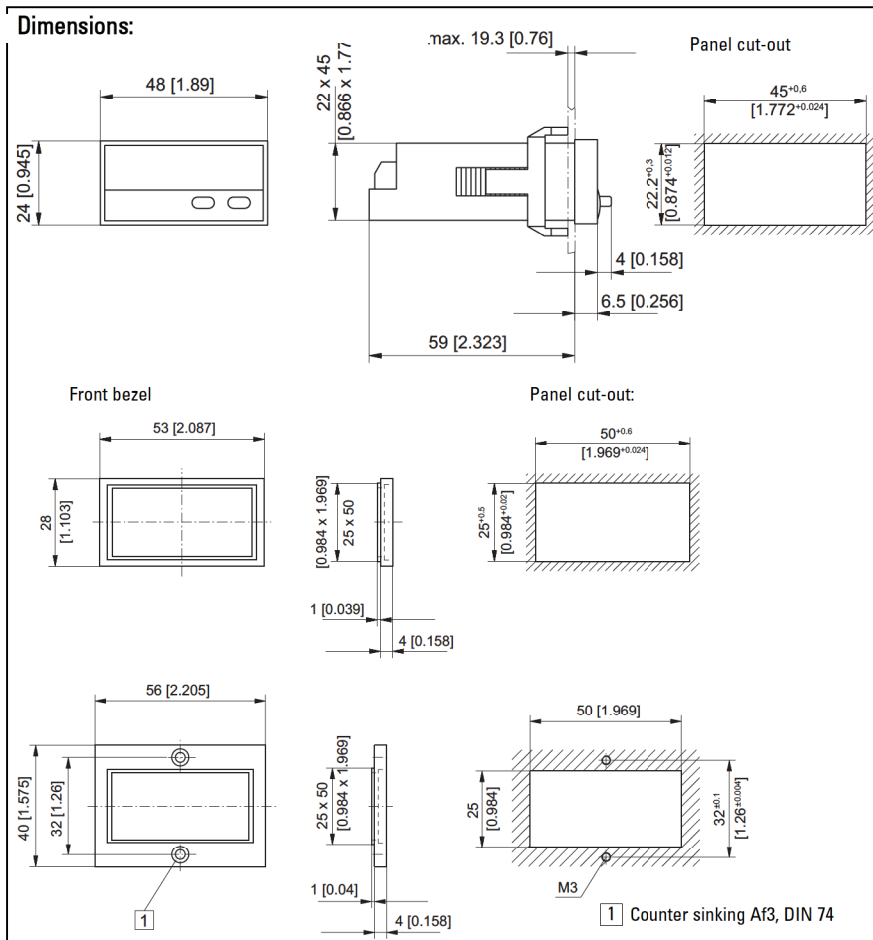
### Technical data:

Supply voltage:	10 ... 30 V DC, with reverse polarity protection	Level of inputs:	low: 0 ... 0,2 x U <sub>B</sub> [V DC] high: 0,6 x U <sub>B</sub> ... 30 V DC
Current consumption:	max. 40 mA	Fixed signal level threshold:	low: 0 ... 2 V DC high: 4 ... 30 V DC
Display:	6 digit red 7-segment LED; 8 mm [0.315"] high	Optocoupler output:	Max. 30 V, 10 mA
Data backup:	EEPROM	Ambient temperature:	-20 ... +65 °C [4 ... 149 °F] at U <sub>B</sub> = 10 ... 26 V DC -20 ... +55 °C [4 ... 131 °F] at U <sub>B</sub> = >26 ... 30 V DC non condensing
Housing:	dimensions 48 x 24 mm [1.89 x 0.945"] according to DIN 43 700; RAL 7021, grey	Storage temperature:	-25 ... +70 °C [-13 ... 158 °F]
Polarity of inputs:	programmable, npn or pnp for all inputs	EMC:	Emitted interference: EN 55 011 Class B Immunity to interference: EN 61000-6-2
Input resistance:	approx. 5 kΩ	Protection:	IP65 front side
Counting frequency:	approx 60 kHz, can be damped to 30 Hz	Weight:	approx. 50 g [1.764 oz]
Reset time:	5 ms		

### Block diagram:



### Dimensions:



### Connections:

- 1 10 ... 30 V DC
- 2 0 V GND
- 3 INP A
- 4 INP B
- 5 Reset



### Delivery specifications:

- 1 Digital display
- 1 Panel mounting clip
- 1 Bezel for screw mounting, panel cut out 50 x 25 mm [ 1.969 x 0.984"]
- 1 Bezel for clip mounting, panel cut out 50 x 25 mm [1.969 x 0.984"]
- 1 Gasket
- 1 Multilingual operating instruction

### Order code:

6.52T.012.3X0

- Input switch level
- 0 = Standard\*
- A = Fixed level:
  - Low 0 ... 2 V DC,
  - High 4 ... 30 V DC
- \* Stock model