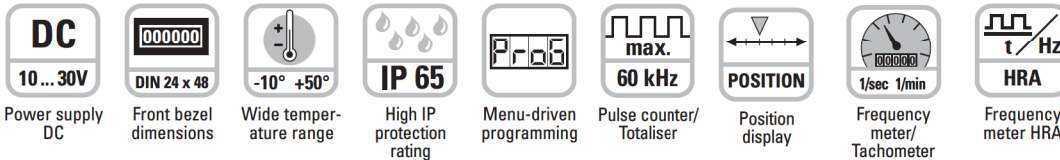


## Position and Frequency display *CODIX 52P*

separate inputs for frequency and position



### Powerful

- **Fast count input**  
Input frequency max. 60 kHz
- **Robust housing**  
IP 65 protection
- **LED display**  
Very bright, 8 mm high
- **HRA – High Rate Accuracy System**  
Frequencies up to 38 Hz are calculated using time-interval (period duration) measurement.  
Frequencies > 38 Hz are calculated using a special time base (gate time) measurement. A very high accuracy of > 0.1% is achieved, even with very short gate times. The resulting measurement is available after a max. of 50 ms.
- **Fast start-up time**  
Detects incoming pulses just 16 ms after being switched on – so no pulses are lost with a simultaneous motor start-up



### User-friendly

- **Big keys**  
Can also be operated when using gloves
- **Easy to programme**  
Easy menu-driven programming and operation  
Possibility to enter the programming mode during operation, with authentication query  
Pressing the right key switches between displays

### Universal

- **Individually programmable scaling**  
Multiplication and division factor (0.0001 to 99.9999), to display corresponding engineering units, e.g. position in 1/10 mm and speed in RPM.
- **Separate factors and inputs for frequency- and pulse counting**
- **4 different count input modes for the position display**  
2-channel input for detecting count direction, difference or adding mode, quadrature x1, x2 or x4. 1 separate input for rotary speed and speed, display in 1/min or 1/sec
- **DC supply**
- **Inputs**  
As an alternative to the HTL inputs, devices with a 5 VDC input trigger level are available, for use as parallel displays for PLCs.

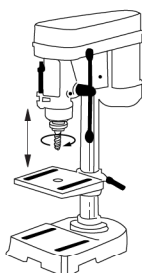
### Applications for Frequency and Position Display/ Totaliser

Position and rotary speed applications, e.g.

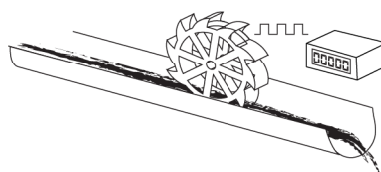
- OEM equipment or retrofitting to drilling machines
- OEM equipment on flow measuring plant, e.g. total flow and current flow

- Total piece count and pieces per minute, where the pulse counting occurs in the add/subtract mode, in order to deduct reject parts

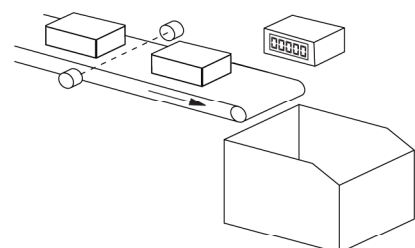
- Production data acquisition: total piece count and production speed, or absolute distance traversed and current speed



Rotary speed and drilling depth



Flow rate and total volume



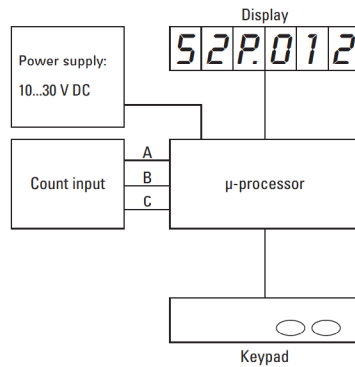
Piece count on conveyor and production speed

## Position and Frequency display **CODIX 52P**

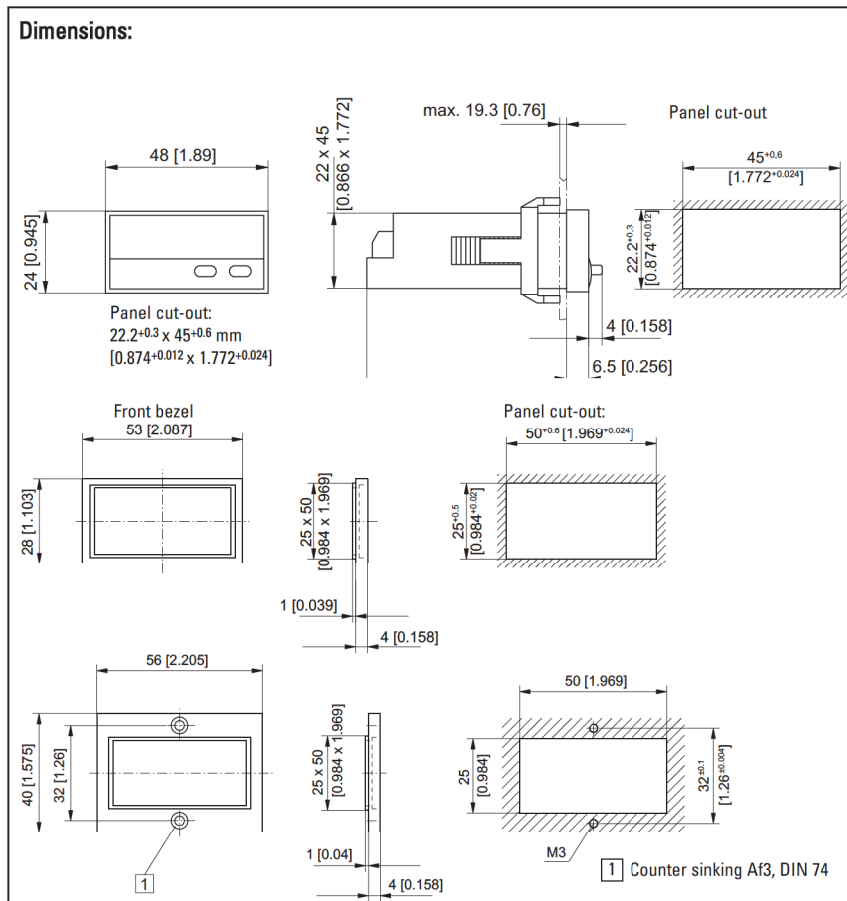
### Technical data:

Supply voltage:	10 ... 30 V DC, with reverse polarity protection	Level of inputs:	Low: 0 ... 0.2 x U <sub>B</sub> [V DC] High: 0.6 x U <sub>B</sub> ... 30 V DC
Current consumption:	max. 40 mA	Level of inputs:	Low: 0 ... 2 V DC 5 V version High: 4 ... 30 V DC
Display:	6 digit red 7-segment LED; 8 mm [0.315"] high	Accuracy:	<0.1 % (Frequency display, tachometer)
Data backup:	EEPROM	EMC:	according to EC EMC directive 89/36/EWG
Housing:	dimension 48 x 24 mm [1.89 x 0.945"] according to DIN 43 700; RAL 7021, grey	Immunity to interference:	EN 61000-6-4/EN 55011 class B
Polarity of inputs:	programmable, npn or pnp for all inputs	Emitted interference:	EN 61000-6-2
Input resistance:	approx. 5 kΩ	Ambient temperature:	-10 ... +50 °C [14 ... 122 °F]
Counting frequency:	30 kHz, can be damped to 30 Hz	Storage temperature:	-25 ... +70 °C [-13 ... 158 °F]
Reset time:	5 ms	Protection:	IP 65 front side
		Weight:	approx. 50 g [1.764 oz]

### Block diagram:



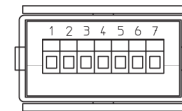
### Dimensions:



### Connections:

without optocoupler

- 1 10 ... 30 V DC
- 2 0 V GND
- 3 INP A
- 4 INP B
- 5 Reset



### Delivery specifications:

- 1 Digital display
- 1 Panel mounting clip
- 1 Bezel for screw mounting, panel cut out 50 x 25 mm [1.969 x 0.984"]
- 1 Bezel for clip mounting, panel cut out 50 x 25 mm [1.969 x 0.984"]
- 1 Seal
- 1 Multilingual operating instructions

### Order code:

6.52P.012.3X0

Input switch level

0 = Standard\*

A = 5 V

\* standard stock model