

## Micro Counters – K 04 ... K 07, AK 05 ... AK 07 shock resistant



- 4-, 5-, 6- and 7-digit micro adding counters
- High shock resistance
- Low power consumption; suitable for battery consumption
- Small dimensions
- Large optical figures
- Different viewing possibilities
- Flush mount with integrated spring clip
- PCB-mount versions
- Versions with additional magnetic shielding, thanks to sheet-steel enclosure ((K 0x.40 and K 0x.50)

- Solderable and wash proof
- Protection IP 65
- Stores value also at power failure
- Long service life
- certified (UL Underwriters Laboratories Inc.)

### Applications:

charge counting, KWh registration alarm systems, compact units, copiers, fuel dispensers, medical equipment, miniature pumps, dosing machines, gates, general event counting

### Technical data:

Electrical connection:	built-in: flying leads
	counter: AWG 22 approx. 150 mm [5.906"]
	PCB counter: solder pins 0.4 x 1,2 mm [0.016 x 0.047"]
Power consumption:	for 10 Imp/s (type 0): approx. 50 mW
(at 20 °C and normal voltage)	for 25 Imp/s (type 1): approx. 250 mW
	for 10 Imp/s (type a0): approx. 800 mVA
Rated voltage:	type 0: 1.5/3/4.5/5/6/12 V DC -10 % +20 %
	type 1: 3/4.5/5/6/12/24 V DC ± 10 %
	type a0: 12/24/115/230 V AC ± 10 %
Counting frequency:	max. 10 and 25 Imp/s
Pulse duration:	for 10 Imp/s (type 0 and a0): min. 50 ms
	for 25 Imp/s (type 1): min. 20 ms
Pulse interval:	for 10 Imp/s (type 0 and a0): min. 50 ms
	for 25 Imp/s (type 1): min. 20 ms
Cycle duration factor:	100 %
Number of digits:	4, 5, 6 and 7
Counting system:	adding
Height of figures:	K 04, K 06: 1.7 x 4 mm [0.067 x 0.158"] optical
	K 05, K 07: 1.2 x 4 mm [0.047 x 0.158"] optical
Colour of figures:	white on black
Reset:	no reset
Ambient temperature:	-10 ... +60 °C [14 ... 140 °F] non condensing
Soldering temperature:	max. 265 °C, max. 3 sec.
Mounting position:	horizontal (others on request)

Operating life:	> 50 x 10 <sup>6</sup> pulses
solderable and wash proof types	K 04.92, K 05.92, K 06.90, K 06.92, K 07.90 K 07.92
Protection:	K 04.92, K 05.92, K 06.90, K 06.92, K 07.90 K 07.92: IP 65 (K 04.20, K 05.20, K 06.20, K 07.20: IP 65 only front side) others, depending on kind of mounting
UL-certified:	File E128604
Housing:	clear plastic PC (polycarbonate) or sheet steel types (see table "Series") with IP 65 protection are fully sealed (potted)
Weight:	15 ... 18 g [0.529 ... 0.635 oz]
Options:	
K 0x.20	flat pin 0.5 x 2.8 mm [0.02 x 0.11] Art.-No.: 1.1X7.XX0.XXX – different voltages flat pin 0.4 x 1.2 mm [0.02 x 0.05] Art.-No.: 1.1X9.XX0.XXX – version not potted – different figure colours – different lengths of flying leads – different connections – different temperature range, depends on version –30 ... +85 °C, -20 ... +70 °C [-22 ... 185 °F, -4 ... 158 °F]

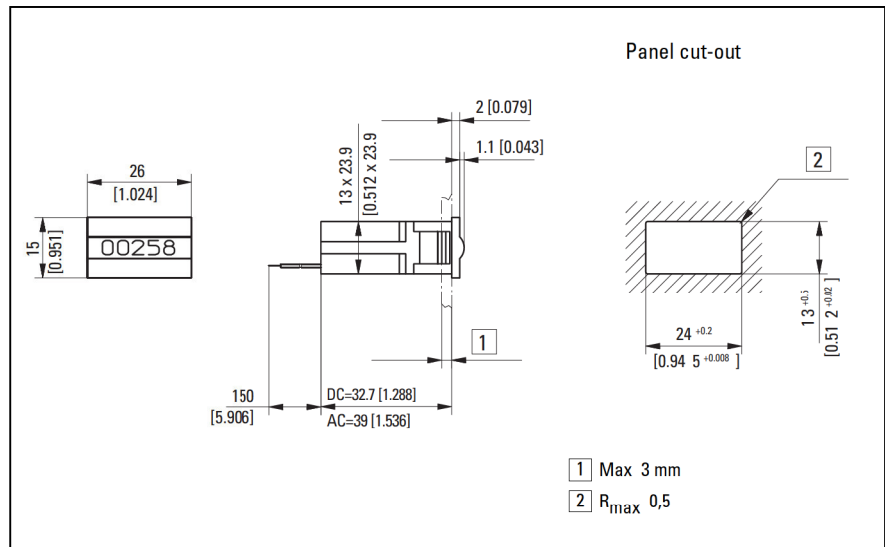
### Series:

4 digit	5 digit	6 digit	7digit	Housing	Display	Description
K 04.20	K 05.20	K 06.20	K 07.20	Plastic	Small side	Flush mount
K 04.40	K 05.40	K 06.40	K 07.40	Steel	Large side	PCB mount
K 04.50	K 05.50	K 06.50	K 07.50	Steel	Small side	PCB mount
K 04.80	K 05.80	K 06.80	K 07.80	Plastic	Small side	PCB mount
K 06.90	K 07.90			Plastic	Large side	PCB mount wash proof
K 04.92	K05.92	K 06.92	K 07.92	Plastic	Small side	PCB mount wash proof

### Order code:

- Article number
- For options please give exact counter type, voltage and options e.g. K 06.20, 9 V DC/0 temperature range -20 ... +70 °C, [-4 ... 158 °F]

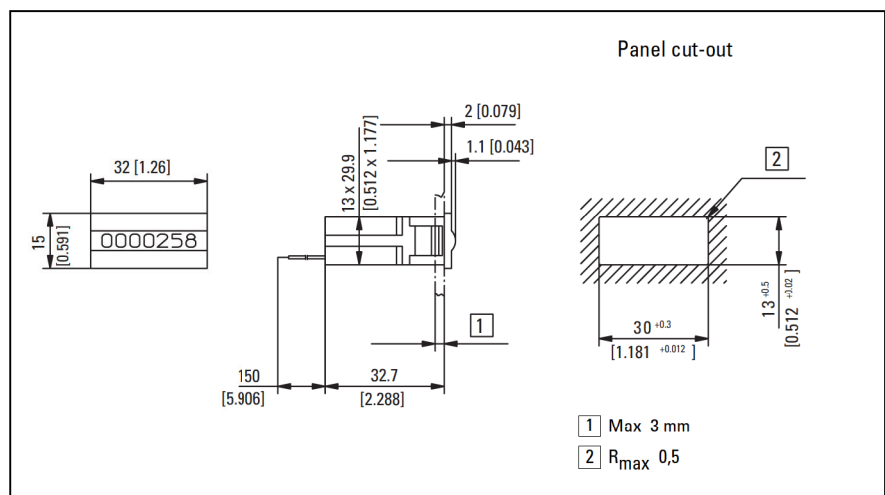
## Type K 04.20 and K 05.20



K 04.20 (4-digit)	3 V Art. no.	4.5 V Art. no.	12 V Art. no.	24 V Art. no.	115 V Art. no.	230 V Art. no.
DC (10 Imp/s)	1.100.200.006	1.100.200.008	1.100.200.012	1.100.200.418		
DC (25 Imp/s)			1.100.200.032	1.100.200.033		
AC (10 Imp/s)				1.100.200.051	1.100.200.054	1.100.200.056

K 05.20 (5-digit)	3 V Art. no.	4.5 V Art. no.	12 V Art. no.	24 V Art. no.	115 V Art. no.	230 V Art. no.
DC (10 Imp/s)	1.110.200.006	1.110.200.008	1.110.200.012	1.110.200.418*		
DC (25 Imp/s)			1.110.200.032	1.110.200.033		
AC (10 Imp/s)					1.110.200.054	1.110.200.056*

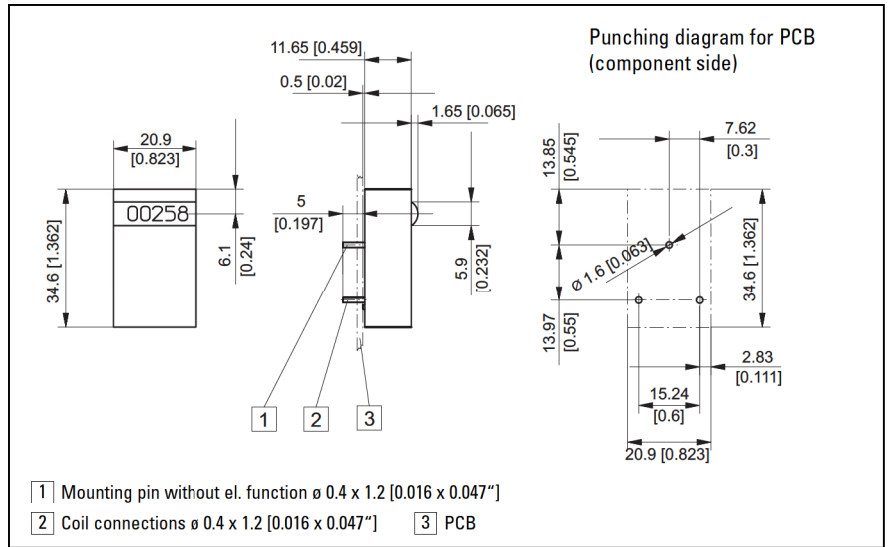
## Type K 06.20 and K 07.20



K 06.20 (6-digit)	3 V Art. no.	4.5 V Art. no.	12 V Art. no.	24 V Art. no.	115 V Art. no.	230 V Art. no.
DC (10 Imp/s)	1.120.200.006	1.120.200.008	1.120.200.012	1.120.200.418		
DC (25 Imp/s)			1.120.200.032	1.120.200.033		
AC (10 Imp/s)				1.120.200.051	1.120.200.054	1.120.200.056

K 07.20 (7-digit)	3 V Art. no.	4.5 V Art. no.	12 V Art. no.	24 V Art. no.	115 V Art. no.	230 V Art. no.
DC (10 Imp/s)	1.130.200.006	1.130.200.008	1.130.200.012*	1.130.200.418		
DC (25 Imp/s)			1.130.200.032*	1.130.200.033*		
AC (10 Imp/s)				1.130.200.051	1.130.200.054*	1.130.200.056*

## Type K 04.40 and K 05.40

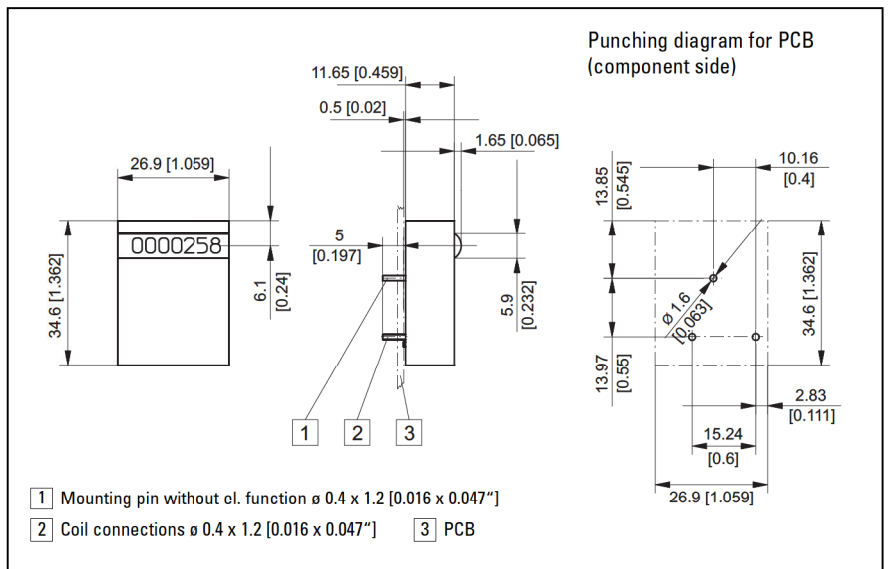


K 04.40 (4-digit)	3 V Art. no.	4.5 V Art. no.	12 V Art. no.	24 V Art. no.
DC (10 Imp/s)	1.100.401.006	1.100.401.008	1.100.401.012	1.100.401.418
DC (25 Imp/s)			1.100.401.032	1.100.401.033

Colour of housing blue (zinc-plated)

K 05.40 (5-digit)	3 V Art. no.	4.5 V Art. no.	12 V Art. no.	24 V Art. no.
DC (10 Imp/s)	1.110.401.006	1.110.401.008	1.110.401.012	1.110.401.418
DC (25 Imp/s)			1.110.401.032	1.110.401.033

## Type K 06.40 and K 07.40

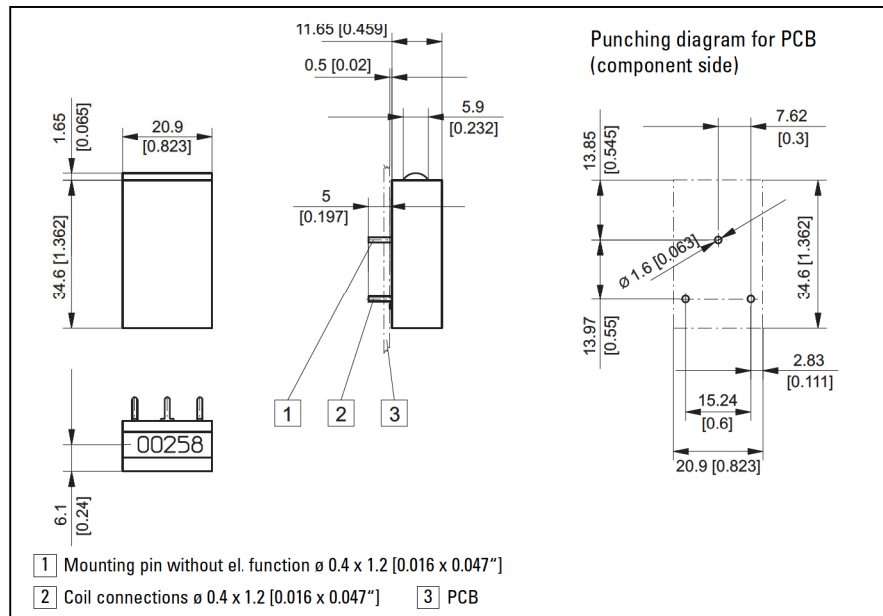


K 06.40 (6-digit)	3 V Art. no.	4.5 V Art. no.	12 V Art. no.	24 V Art. no.
DC (10 Imp/s)	1.120.401.006	1.120.401.008	1.120.401.012	
DC (25 Imp/s)			1.120.401.032	1.120.401.033

Colour of housing blue (zinc-plated)

K 07.40 (7-digit)	3 V Art. no.	4.5 V Art. no.	12 V Art. no.	24 V Art. no.
DC (10 Imp/s)	1.130.401.006	1.130.401.008*	1.130.401.012	
DC (25 Imp/s)			1.130.401.032	1.130.401.033

## Type K 04.50 and K 05.50

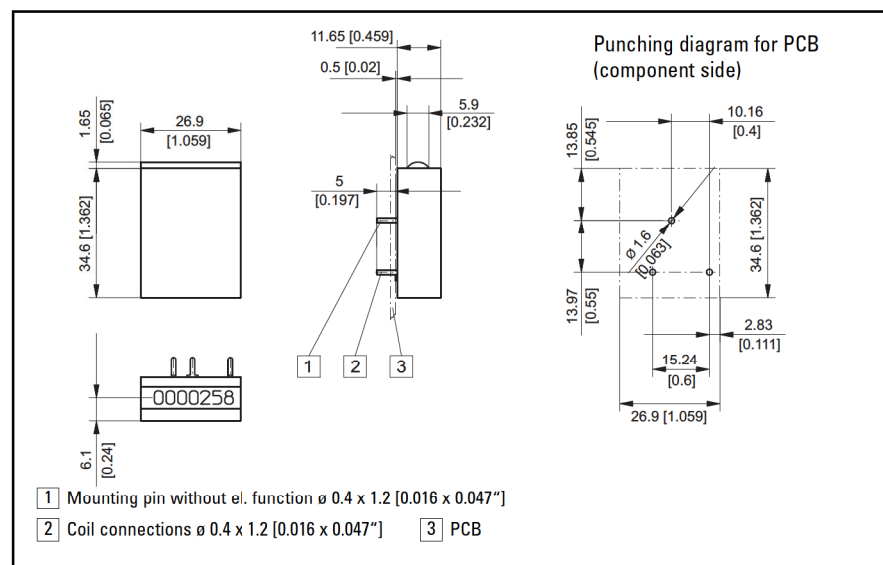


K 04.50 (4-digit)	3 V Art. no.	4.5 V Art. no.	12 V Art. no.	24 V Art. no.
DC (10 Imp/s)	1.100.501.006	1.100.501.008	1.100.501.012	1.100.501.418
DC (25 Imp/s)			1.100.501.032	1.100.501.033

Colour of housing blue (zinc-plated)

K 05.50 (5-digit)	3 V Art. no.	4.5 V Art. no.	12 V Art. no.	24 V Art. no.
DC (10 Imp/s)	1.110.501.006	1.110.501.008	1.110.501.012	1.110.501.418
DC (25 Imp/s)			1.110.501.032	1.110.501.033

## Type K 06.50 and K 07.50

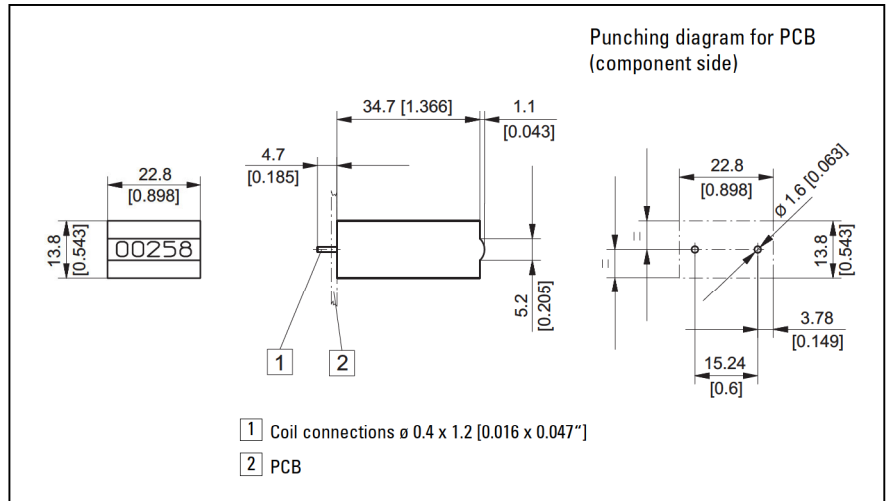


K 06.50 (6-digit)	3 V Art. no.	4.5 V Art. no.	12 V Art. no.	24 V Art. no.
DC (10 Imp/s)	1.120.501.006	1.120.501.008	1.120.501.012	1.120.501.418
DC (25 Imp/s)			1.120.501.032	1.120.501.033

Colour of housing blue (zinc-plated)

K 07.50 (7-digit)	3 V Art. no.	4.5 V Art. no.	12 V Art. no.	24 V Art. no.
DC (10 Imp/s)	1.130.501.006	1.130.501.008	1.130.501.012	1.130.501.418
DC (25 Imp/s)			1.130.501.032	1.130.501.033

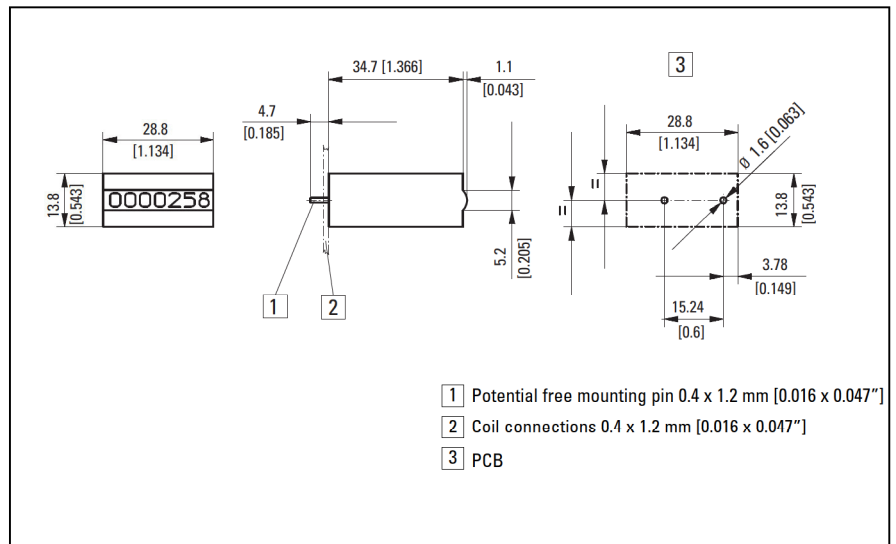
## Type K 04.80 and K 05.80



K 04.80 (4-digit)	3 V Art. no.	4.5 V Art. no.	12 V Art. no.	24 V Art. no.
DC (10 Imp/s)	1.100.800.006	1.100.800.008	1.100.800.012	1.100.800.418
DC (25 Imp/s)			1.100.800.032	1.100.800.033

K 05.80 (5-digit)	3 V Art. no.	4.5 V Art. no.	12 V Art. no.	24 V Art. no.
DC (10 Imp/s)	1.110.800.006	1.110.800.008	1.110.800.012	1.110.800.418
DC (25 Imp/s)			1.110.800.032	1.110.800.033

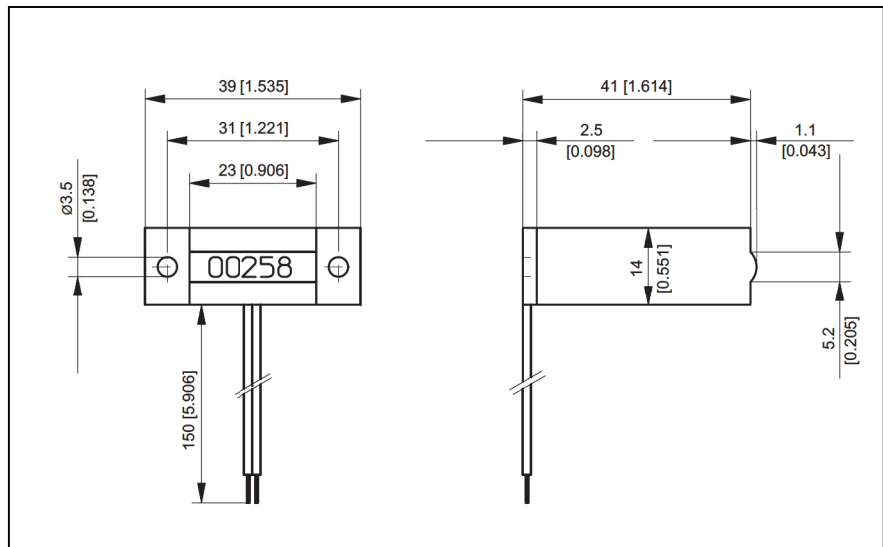
## Type K 06.80 and K 07.80



K 06.80 (6-digit)	3 V Art. no.	4.5 V Art. no.	12 V Art. no.	24 V Art. no.	115 V Art. no.	230 V Art. no.
DC (10 Imp/s)	1.120.800.006	1.120.800.008	1.120.800.012	1.120.800.418		
DC (25 Imp/s)			1.120.800.032	1.120.800.033		
AC (10 Imp/s)				1.120.800.051	1.120.800.054	1.120.800.056

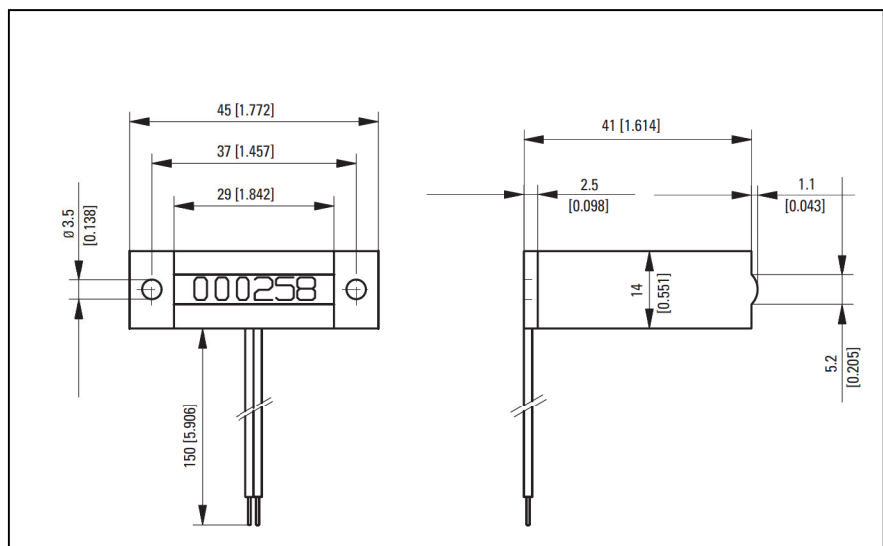
K 07.80 (7-digit)	3 V Art. no.	4.5 V Art. no.	12 V Art. no.	24 V Art. no.	115 V Art. no.	230 V Art. no.
DC (10 Imp/s)	1.130.800.006	1.130.800.008	1.130.800.012	1.130.800.418		
DC (25 Imp/s)			1.130.800.032*	1.130.800.033		
AC (10 Imp/s)				1.130.800.051	1.130.800.054	1.130.800.056

## AK 05.00



AK 05.00	3 V	4.5 V	12 V	24 V	115 V	230 V
(5-digit)	Art. no.	Art. no.	Art. no.	Art. no.	Art. no.	Art. no.
DC (10 Imp/s)	1.110.000.006	1.110.000.008	1.110.000.012	1.110.000.418		
DC (25 Imp/s)			1.110.000.032	1.110.000.033		
AC (10 Imp/s)				1.110.000.051	1.110.000.054	1.110.000.056

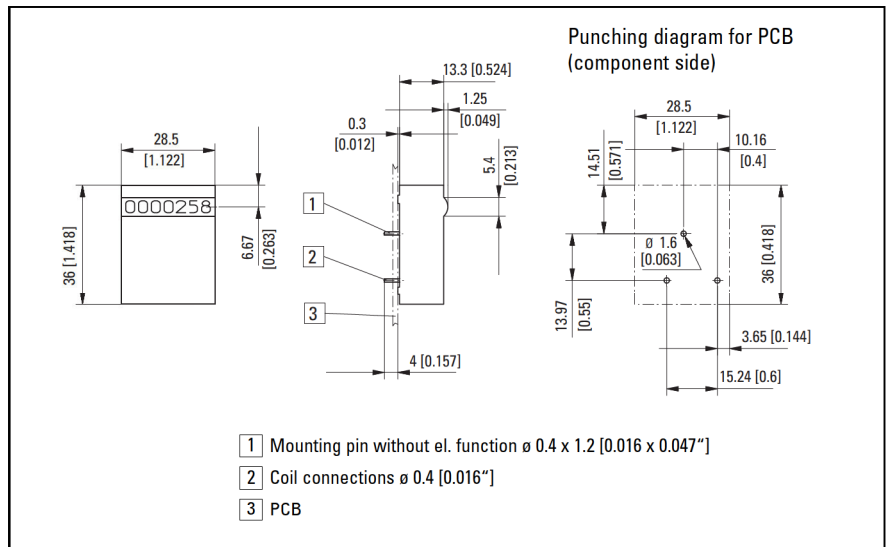
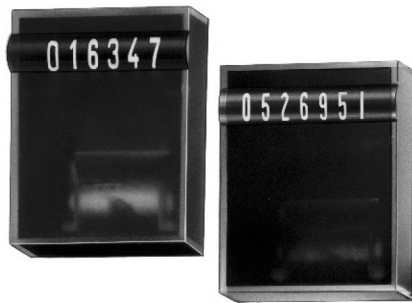
## Type AK 06.00 and AK 07.00



AK 06.00	3 V	4.5 V	12 V	24 V	115 V	230 V
(6-digit)	Art. no.	Art. no.	Art. no.	Art. no.	Art. no.	Art. no.
DC (10 Imp/s)	1.120.000.006	1.120.000.008	1.120.000.012	1.120.000.418		
DC (25 Imp/s)			1.120.000.032	1.120.000.033		
AC (10 Imp/s)				1.120.000.051	1.120.000.054	1.120.000.056

AK 07.00	3 V	4.5 V	12 V	24 V	115 V	230 V
(7-digit)	Art. no.	Art. no.	Art. no.	Art. no.	Art. no.	Art. no.
DC (10 Imp/s)	1.130.000.006	1.130.000.008	1.130.000.012	1.130.000.418		
DC (25 Imp/s)			1.130.000.032	1.130.000.033		
AC (10 Imp/s)				1.130.000.051	1.130.000.054	1.130.000.056

## Type K 06.90 and K 07.90

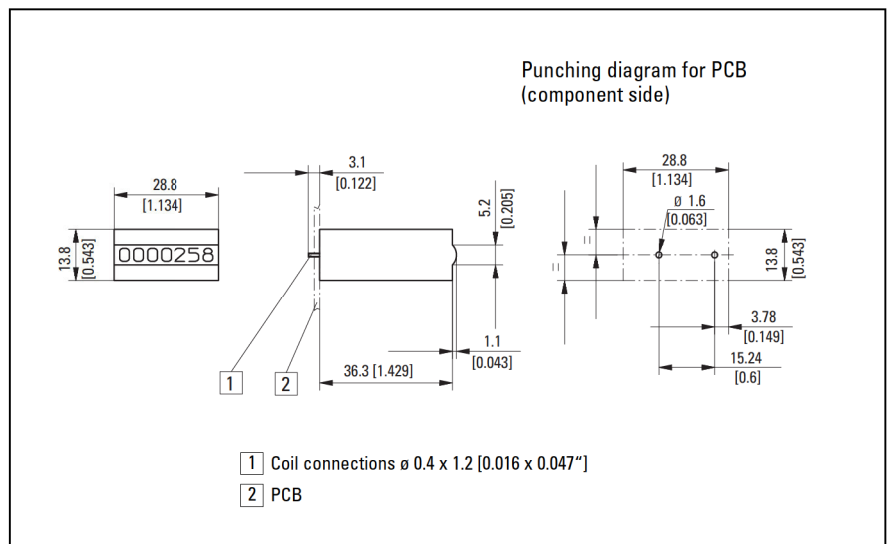
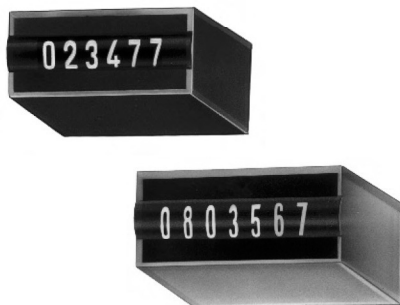


K 06.90 (6-digit)	3 V	4.5 V	12 V	24 V	115 V	230 V
DC (10 Imp/s)	Art. no. 1.120.900.006	Art. no. 1.120.900.008	Art. no. 1.120.900.012	Art. no. 1.120.900.418	Art. no.	Art. no.
DC (25 Imp/s)			1.120.900.032	1.120.900.033		
AC (10 Imp/s)				1.120.900.051	1.120.900.054	1.120.900.056

K 07.90 (7-digit)	3 V	4.5 V	12 V	24 V	115 V	230 V
DC (10 Imp/s)	Art. no. 1.130.900.006	Art. no. 1.130.900.008	Art. no. 1.130.900.012*	Art. no. 1.130.900.418	Art. no.	Art. no.
DC (25 Imp/s)			1.130.900.032	1.130.900.033		
AC (10 Imp/s)				1.130.900.051	1.130.900.054	1.130.900.056

\*standard stock model

## Type K 06.92 and K 07.92



K 06.92 (6-digit)	3 V	4.5 V	12 V	24 V	115 V	230 V
DC (10 Imp/s)	Art. no. 1.120.920.006	Art. no. 1.120.920.008	Art. no. 1.120.920.012	Art. no. 1.120.920.033	Art. no.	Art. no.
DC (25 Imp/s)			1.120.920.032	1.120.920.033		
AC (10 Imp/s)				1.120.920.051	1.120.920.054	1.120.920.056

K 07.92 (7-digit)	3 V	4.5 V	12 V	24 V	115 V	230 V
DC (10 Imp/s)	Art. no. 1.130.920.006	Art. no. 1.130.920.008	Art. no. 1.130.920.012	Art. no. 1.130.920.033	Art. no.	Art. no.
DC (25 Imp/s)			1.130.920.032	1.130.920.033		
AC (10 Imp/s)				1.130.920.051	1.130.920.054	1.130.920.056