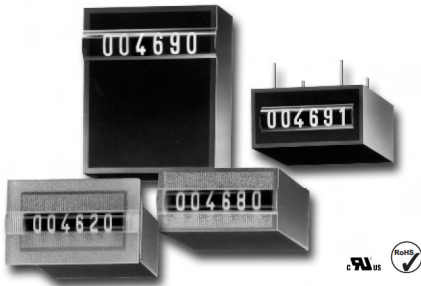


## Micro Counters – K 46/ K 47 shock resistant



- 6/7-digit micro adding counter
- Low cost
- **High shock resistance**
- Low power consumption; suitable for battery operation
- Small dimensions
- Magnified large figures
- Different mounting solutions
- Flush mount with integrated spring clip (snap in)
- PCB-mount versions

- Solderable and wash proof
- Protection to IP 65
- Stores value also at power failure
- Long service life

### Applications:

charge counting, KWh registration alarm systems, compact units, copiers, fuel dispensers, medical equipment, miniature pumps, dosing machines, gates, general event counting

### Technical data:

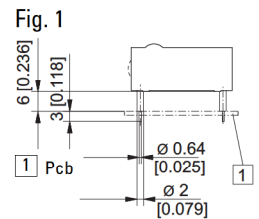
Electrical connection:	flush mount:	flying leads AWG 22 approx. 150 mm [5.906"]
	PCB mount:	solder pins $\varnothing$ 0.64 mm [0.025"]
Power consumption:	up to 12 V DC:	approx. 70 mW
	at 24 V DC:	approx. 150 mW
Rated voltage:	1.5/3/4.5/5/6/12/24 V DC	10 % +20 %
Counting frequency:	max. 10 Imp/s (type 0)	
Pulse duration:	min. 50 ms	
Pulse interval:	min. 50 ms	
Cycle duration factor:	100 %	
Number of digits:	6 (K46), 7 (K47)	
Counting system:	adding	
Height of figures:	K 46: 4 x 1.7 mm [0.067"]	
	K 47: 4 x 1.25 mm [0.049"]	optical
Colour of figures:	white on black	
Reset:	no reset	
Ambient temperature:	-10 ... +60 °C [14 °F ... 140 °F]	non condensing
Soldering temperature:	max. 265 °C, max. 3 sec.	

Mounting position:	number of wheel view horizontal (other on request)
Operating life:	> 50 x 10 <sup>6</sup> impulses
solderable and wash:	K 46.80, K 46.90, K 46.91, K 46.94, K 46.95
proof types:	K 47.80, K 47.90, K 47.91
protection:	IP 65 (K 46.20, K 47.20: front side)
Housing:	clear plastic
Weight:	12 ... 14 g
Options:	
K46.20, K46.80; K47.20 K47.80:	flat pin 0.8 x 2.8 mm [0.032 x 0.11"] and push on solder pins $\varnothing$ 0.64 [0.025"]
K46.80, K47.80	flying leads AWG22 approx. 150 mm [5.906"]
K 46.9x ... 71:	connectors types with spacer (high 6 mm [0.236"] draw. 1)
K 47.9x ... 71:	
Further options:	– different voltages – counting frequency > 10 Imp/s – different colour of figures – extended temperature range: -30 ... +85 °C or -20 ... +70 °C ... [-22 ... 185 °F or -4 ... 158 °F]

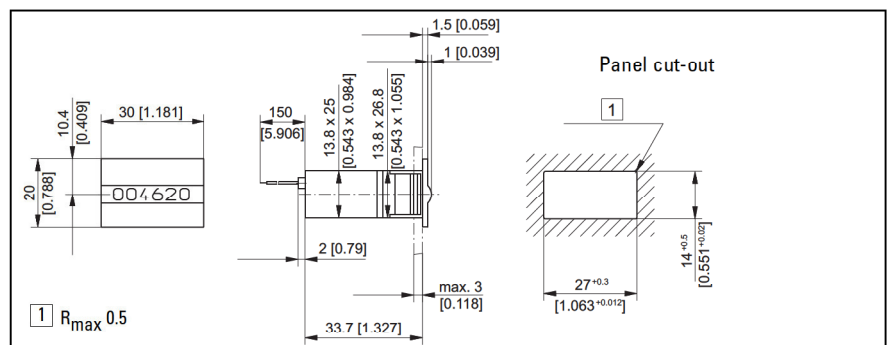
### Series:

Type	Display	el. Connection	Description
K46.20, K47.20	Small side	Flying leads	Panel mount with latch
K46.80, K47.80	Small side	Solder pins	PCB mount wash proof
K46.90, K47.90	Large side	Solder pins	PCB mount wash proof
K46.91, K47.91	Small side	Solder pins	PCB mount wash proof
K46.94	Large side	Solder pins	PCB mount wash proof
K46.95	Small side	Solder pins	PCB mount wash proof

**Order code:**  
 – Article number  
 – For options please give exact counter type, voltage and options e.g. 1.700.200.012 K 46.20, 12 V DC/0 temperature range -20 ... +70 °C [-4 ... 158 °F]

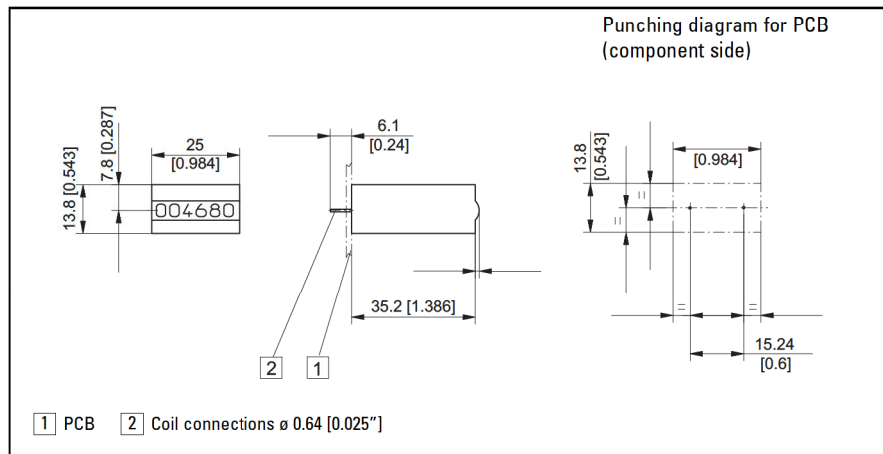


### Type K 46.20/K47.20



	1.5 V	3 V	4.5 V	5 V	6 V	12 V	24 V
<b>K 46.20</b>	Art. no.	Art. no.	Art. no.	Art. no.	Art. no.	Art. no.	Art. no.
DC (10 Imp/s)	1.700.200.002	1.700.200.006	1.700.200.008	1.700.200.009*	1.700.200.010	1.700.200.012*	1.700.200.013*
<b>K 47.20</b>	Art. no.	Art. no.	Art. no.	Art. no.	Art. no.	Art. no.	Art. no.
DC (10 Imp/s)	1.710.200.002	1.710.200.006	1.710.200.008	1.710.200.009*	1.710.200.010	1.710.200.012*	1.710.200.013*

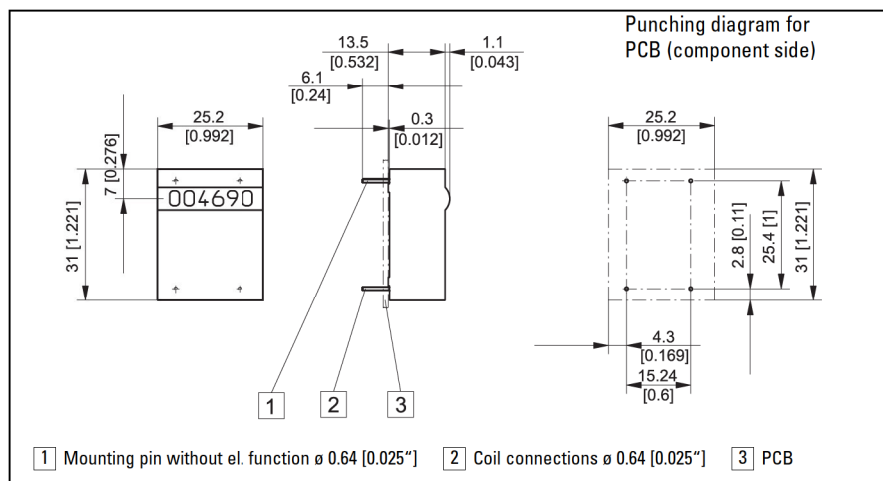
## Type K 46.80/K 47.80



K 46.80	1.5 V Art. no.	3 V Art. no.	4.5 V Art. no.	5 V Art. no.	6 V Art. no.	12 V Art. no.	24 V Art. no.
DC (10 Imp/s)	1.700.800.002	1.700.800.006	1.700.800.008	1.700.800.009	1.700.800.010	1.700.800.012	1.700.800.013*

K 47.80	1.5 V Art. no.	3 V Art. no.	4.5 V Art. no.	5 V Art. no.	6 V Art. no.	12 V Art. no.	24 V Art. no.
DC (10 Imp/s)	1.710.800.002	1.710.800.006	1.710.800.008	1.710.800.009	1.710.800.010	1.710.800.012	1.710.800.013

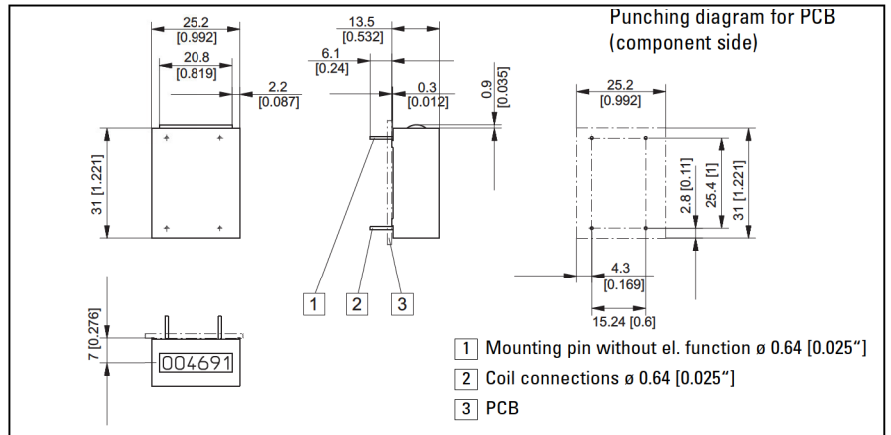
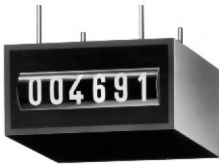
## Type K 46.90/K 47.90



K 46.90	1,5 V Art. no.	3 V Art. no.	4,5 V Art. no.	5 V Art. no.	6 V Art. no.	12 V Art. no.	24 V Art. no.
DC (10 Imp/s)	1.700.900.002	1.700.900.006	1.700.900.008*	1.700.900.009	1.700.900.010*	1.700.900.012	1.700.900.013*

K 47.90	1,5 V Art. no.	3 V Art. no.	4,5 V Art. no.	5 V Art. no.	6 V Art. no.	12 V Art. no.	24 V Art. no.
DC (10 Imp/s)	1.710.900.002	1.710.900.006	1.710.900.008	1.710.900.009	1.710.900.010	1.710.900.012	1.710.900.013

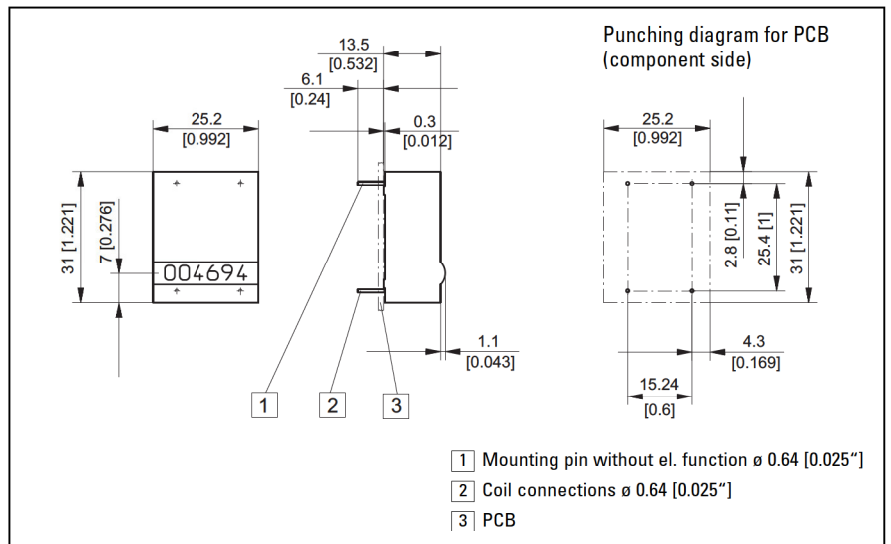
## Type K 46.91/K 47.91



K 46.91	1.5 V Art. no.	3 V Art. no.	4.5 V Art. no.	5 V Art. no.	6 V Art. no.	12 V Art. no.	24 V Art. no.
DC (10 Imp/s)	1.700.910.002	1.700.910.006	1.700.910.008	1.700.910.009	1.700.910.010	1.700.910.012	1.700.910.013

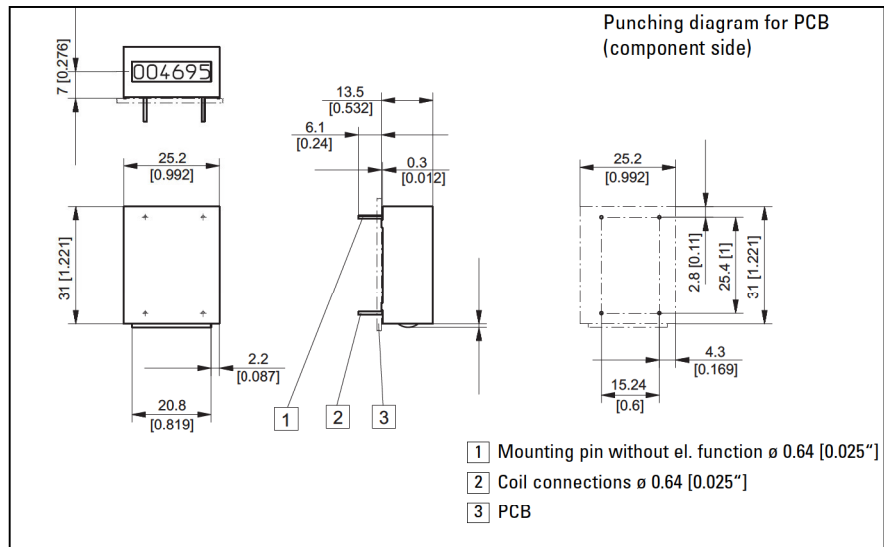
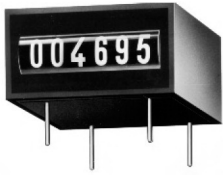
K 47.91	1.5 V Art. no.	3 V Art. no.	4.5 V Art. no.	5 V Art. no.	6 V Art. no.	12 V Art. no.	24 V Art. no.
DC (10 Imp/s)	1.710.910.002	1.710.910.006	1.710.910.008	1.710.910.009	1.710.910.010	1.710.910.012	1.710.910.013

## Type K 46.94



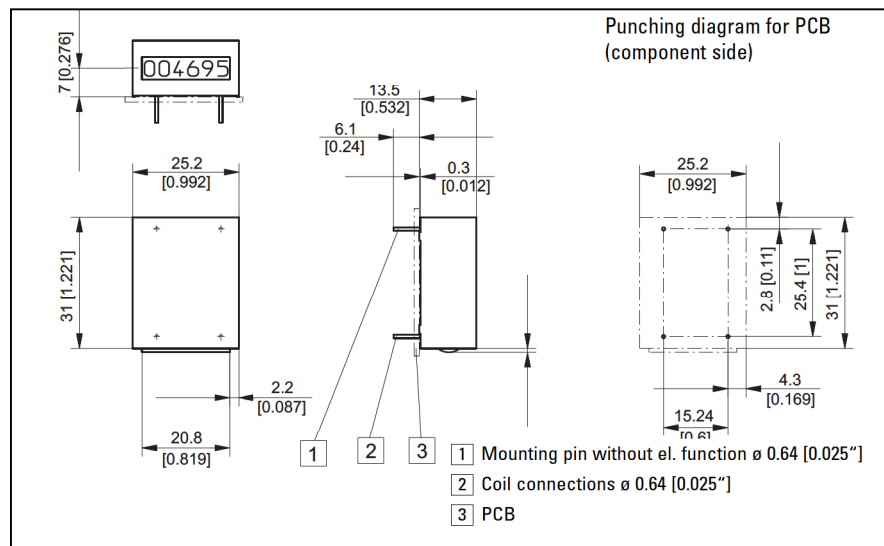
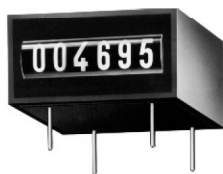
K 46.94	1.5 V Art. no.	3 V Art. no.	4.5 V Art. no.	5 V Art. no.	6 V Art. no.	12 V Art. no.	24 V Art. no.
DC (10 Imp/s)	1.700.940.002	1.700.940.006	1.700.940.008	1.700.940.009	1.700.940.010	1.700.940.012	1.700.940.013

## Type K 46.95



K 46.95	1.5 V Art. no.	3 V Art. no.	4.5 V Art. no.	5 V Art. no.	6 V Art. no.	12 V Art. no.	24 V Art. no.
DC (10 Imp/s)	1.700.950.002	1.700.950.006	1.700.950.008	1.700.950.009	1.700.950.010	1.700.950.012	1.700.950.013

## Type K 47.95



K 47.95	1.5 V Art. no.	3 V Art. no.	4.5 V Art. no.	5 V Art. no.	6 V Art. no.	12 V Art. no.	24 V Art. no.
DC (10 Imp/s)	1.710.950.002	1.710.950.006	1.710.950.008	1.710.950.009	1.710.950.010	1.710.950.012	1.710.950.013