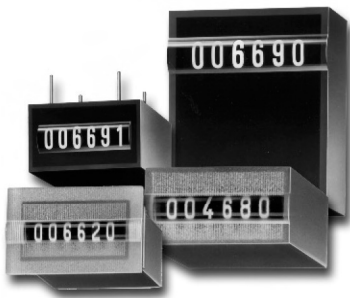


Micro Counters – K 66, K 67 PTB tested



- 6-digit (K66) or 7-digit (K67) micro adding counter
- **Not affected by magnetic fields as moving parts are made of plastic or non-ferrous metal (patented system).**
- **Maximum shock resistance, as a counter-rotating movement is required for counting, ACR-system Air Coil Reverse (patented)**
- Low power consumption; suitable for battery consumption
- Small dimensions

- Large optical figures
- Flush mount with integrated spring clip
- PCB-mount versions
- Solderable and wash proof
- Protection IP 65
- Stores value also at power failure
- Long service life

Applications:

charge counting, KWh registration alarm systems, compact units, copiers, fuel dispensers, medical techniques, miniature pumps, dosing techniques, gates, general event counting

Technical data:

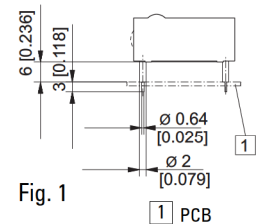
Electrical connection:	flush mount:	flying leads AWG 22 approx. 150 mm [5.906"]
	PCB-mount:	solder pins \varnothing 0.64 mm [0.025"]
Power consumption:	up to 6 V DC:	approx. 70 mW
(at 20 °C)	at 12 V DC:	approx. 120 mW
	at 24 V DC:	approx. 500 mW
Rated voltage:	1.5/3/4.5/5/6/12/24 V DC -10 % +20 %	
Counting frequency:	max. 10 Imp/s (type 0)	
Pulse duration:	min. 50 ms	
Pulse interval:	min. 50 ms	
Cycle duration factor:	100 %	
Number of digits:	6 (K 66), 7 (K 67)	
Counting system:	adding	
Height of figures:	K 66: 4 x 1.7 mm [0.067"]	
	K 67: 4 x 1.25 mm [0.049"] optical	
Colour of figures:	white on black	
Reset:	no reset	
Ambient temperature:	-10 ... +60 °C [14 ... 140 °F]	
Soldering temperature:	max. 265 °C, max. 3 sec.	

Mounting position:	number of wheel view horizontal (other on request)
Operating life:	> 50 x 10 ⁶ pulses
solderable and wash proof types	K 66.80, K 66.90, K 66.91, K 66.94, K 66.95 K 67.80, K 67.90, K 67.91
Protection:	IP 65 (K 66.20, K 67.20: only front side)
Housing:	clear plastic, types with protection IP 65 are sealed
Weight:	9 ... 11 g [0.317 ... 0.388 oz]
Options:	K 66.20, K 66.80, K 67.20, K 67.80: flat pin 0.8 x 2.8 mm [0.032 x 0.11"] and push on connectors X.XX7.XXX.XXX K 66.20, K 67.20: solder pins \varnothing 0.64 mm [0.025"] X.XX1.XXX.XXX K 66.70, K 66.80: flying leads AWG22 approx. 150 mm [5.906"] K 66.9x ... 71, K 67.9x ... 71: types with spacer (High 6 mm [0.236"] Draw.1)
Further options:	different voltages, counting frequency > 10 Imp/s different colour of figures, extended temperature range -30 ... +85 °C or -20 ... +70 °C, [-22 ... 185 °F or -4 ... 158 °F]

Series:

Type	Display	el. Connection	Description
K66.20, K 67.20	Small side	Flying leads	Panel mount with latch
K66.80, K 67.80	Small side	Solder pins	PCB mount wash proof
K66.90, K 67.90	Large side	Solder pins	PCB mount wash proof
K66.91, K 67.91	Small side	Solder pins	PCB mount wash proof
K66.94	Large side	Solder pins	PCB mount wash proof
K66.95	Small side	Solder pins	PCB mount wash proof

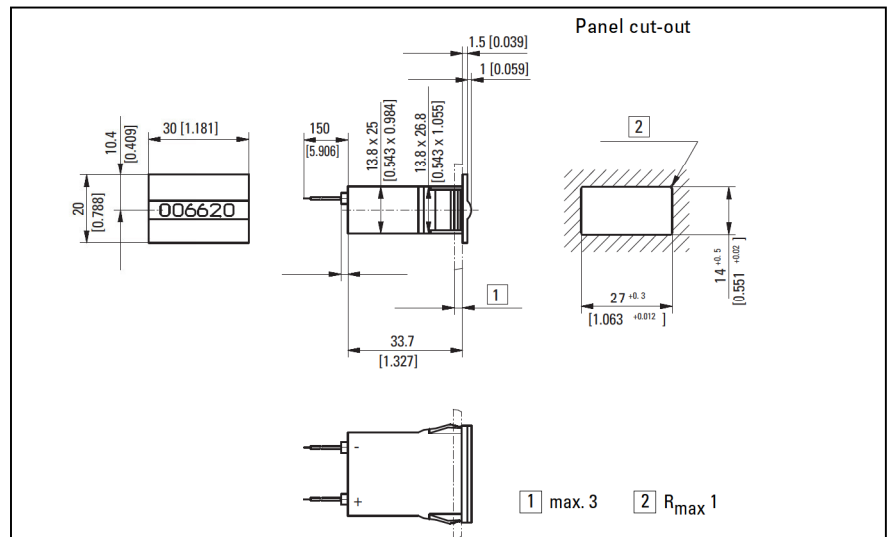
Order code:
 – Article number 1.680.9X0.XXX
 – For options please give exact counter type, voltage and options e.g. K 66.20, 9 V DC/0 temperature range -20 ... +70 °C [-4 ... 158 °F]



Type K 66.20/K 67.20



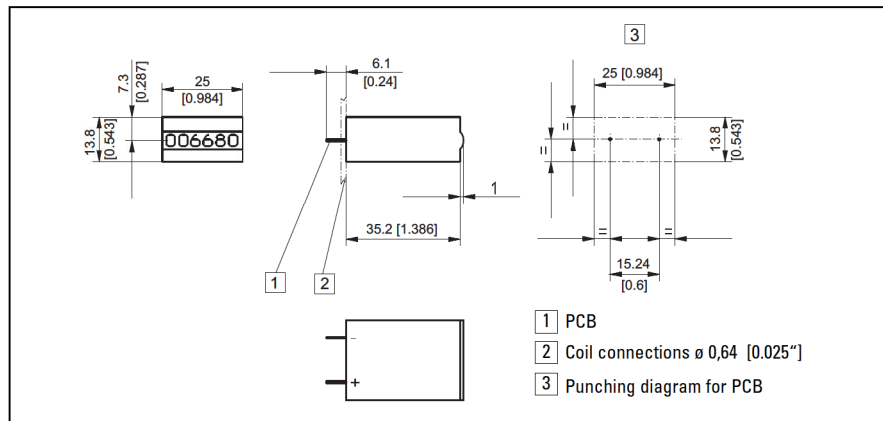
Order code see next page.



Type K 66.20/K 67.20

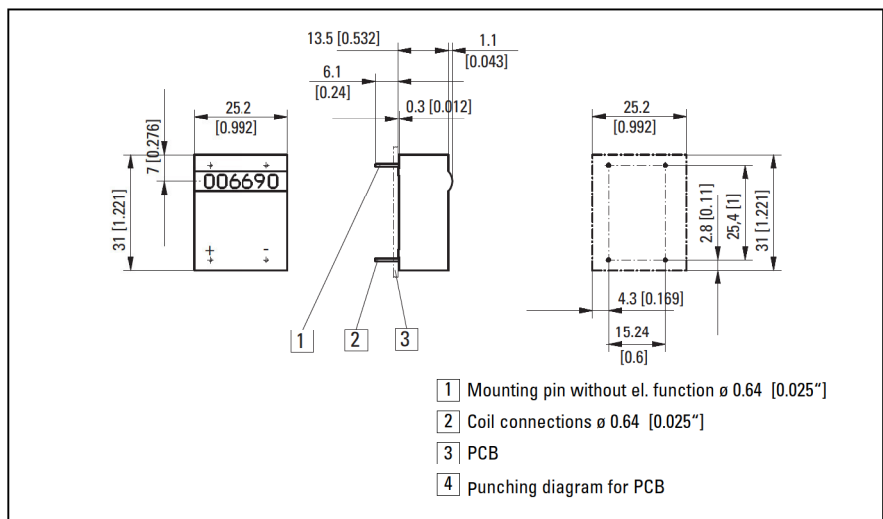
K 66.20	1.5 V	3 V	4.5 V	5 V	6 V	12 V	24 V
	Art. no.	Art. no.	Art. no.	Art. no.	Art. no.	Art. no.	Art. no.
DC (10 Imp/s)	1.650.200.002	1.650.200.006	1.650.200.008	1.650.200.009	1.650.200.010	1.650.200.012	1.650.200.013
K 67.20	1.5 V	3 V	4.5 V	5 V	6 V	12 V	24 V
	Art. no.	Art. no.	Art. no.	Art. no.	Art. no.	Art. no.	Art. no.
DC (10 Imp/s)	1.660.200.002	1.660.200.006	1.660.200.008	1.660.200.009*	1.660.200.010	1.660.200.012*	1.660.200.013*

Type K 66.80/K 67.80



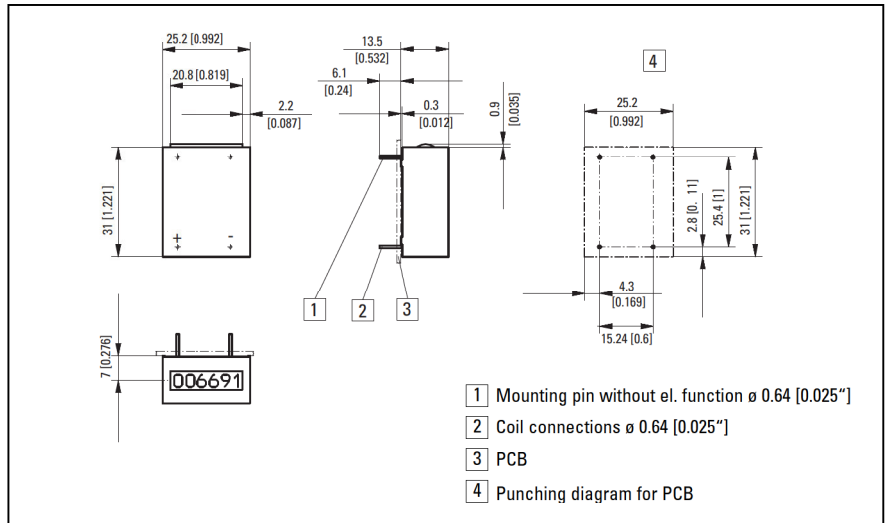
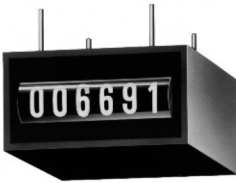
K 66.80	1.5 V	3 V	4.5 V	5 V	6 V	12 V	24 V
	Art. no.	Art. no.	Art. no.	Art. no.	Art. no.	Art. no.	Art. no.
DC (10 Imp/s)	1.650.800.002	1.650.800.006	1.650.800.008	1.650.800.009	1.650.800.010	1.650.800.012	1.650.800.013
K 67.80	1.5 V	3 V	4.5 V	5 V	6 V	12 V	24 V
	Art. no.	Art. no.	Art. no.	Art. no.	Art. no.	Art. no.	Art. no.
DC (10 Imp/s)	1.660.800.002	1.660.800.006	1.660.800.008	1.660.800.009	1.660.800.010	1.660.800.012	1.660.800.013

Type K 66.90/K 67.90



K 66.90	1.5 V	3 V	4.5 V	5 V	6 V	12 V	24 V
	Art. no.	Art. no.	Art. no.	Art. no.	Art. no.	Art. no.	Art. no.
DC (10 Imp/s)	1.650.900.002	1.650.900.006	1.650.900.008	1.650.900.009	1.650.900.010	1.650.900.012	1.650.900.013
K 67.90	1.5 V	3 V	4.5 V	5 V	6 V	12 V	24 V
	Art. no.	Art. no.	Art. no.	Art. no.	Art. no.	Art. no.	Art. no.
DC (10 Imp/s)	1.660.900.002	1.660.900.006	1.660.900.008	1.660.900.009	1.660.900.010	1.660.900.012	1.660.900.013

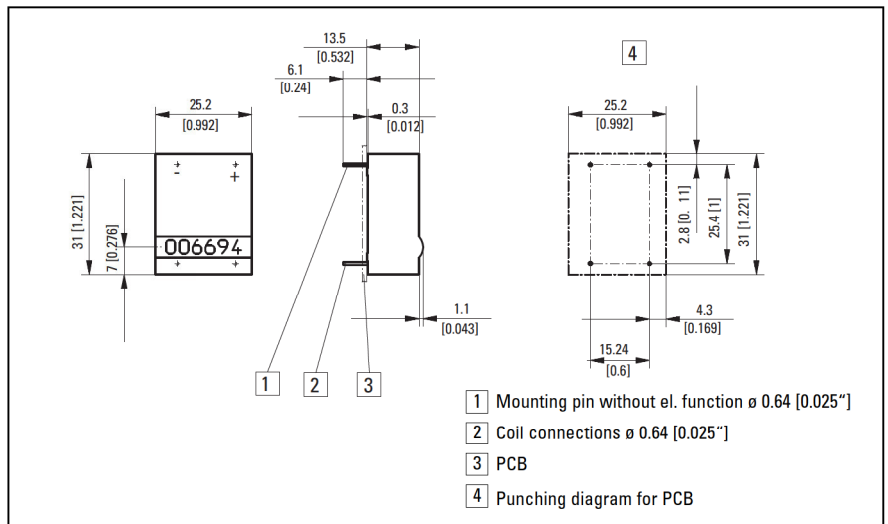
Type K 66.91/K 67.91



K 66.91	1.5 V Art. no.	3 V Art. no.	4.5 V Art. no.	5 V Art. no.	6 V Art. no.	12 V Art. no.	24 V Art. no.
DC (10 Imp/s)	1.650.910.002	1.650.910.006	1.650.910.008	1.650.910.009	1.650.910.010	1.650.910.012	1.650.910.013

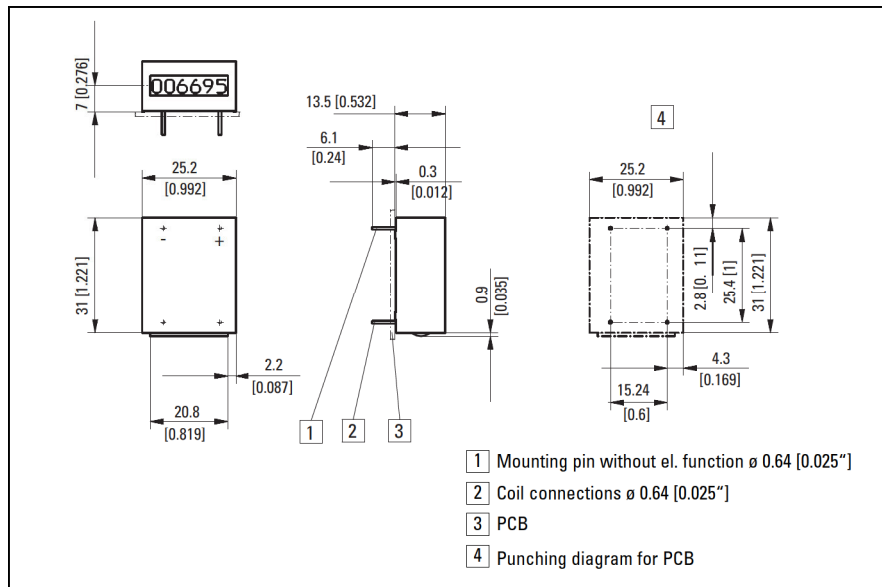
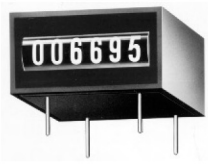
K 67.91	1.5 V Art. no.	3 V Art. no.	4.5 V Art. no.	5 V Art. no.	6 V Art. no.	12 V Art. no.	24 V Art. no.
DC (10 Imp/s)	1.660.910.002	1.660.910.006	1.660.910.008	1.660.910.009	1.660.910.010	1.660.910.012	1.660.910.013

Type K 66.94



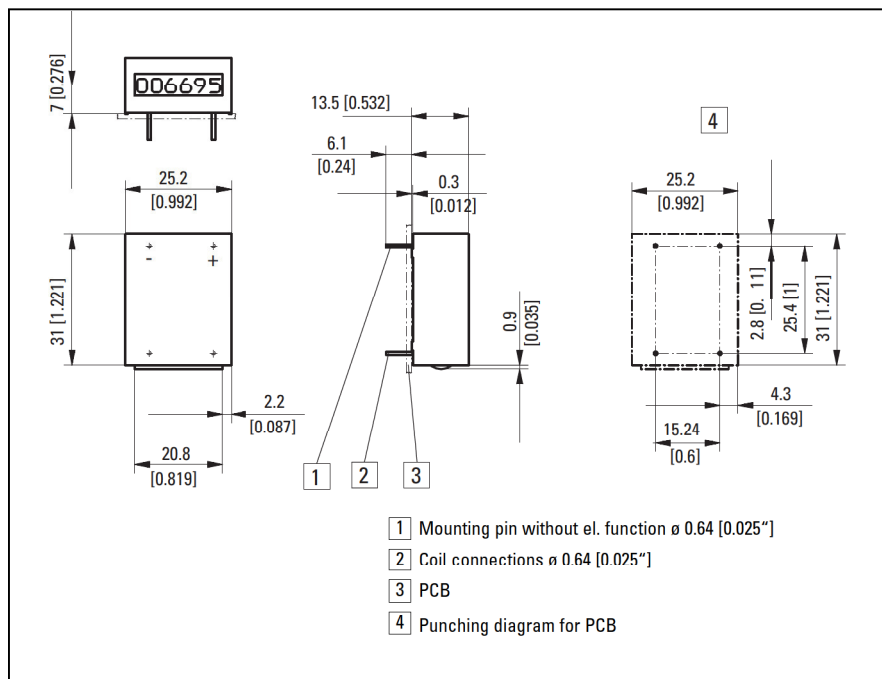
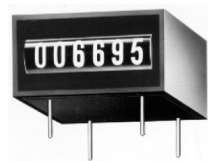
K 66.94	1.5 V Art. no.	3 V Art. no.	4.5 V Art. no.	5 V Art. no.	6 V Art. no.	12 V Art. no.	24 V Art. no.
DC (10 Imp/s)	1.650.940.002	1.650.940.006	1.650.940.008	1.650.940.009	1.650.940.010	1.650.940.012	1.650.940.013

Type K 66.95



K 66.95	1.5 V Art. no.	3 V Art. no.	4.5 V Art. no.	5 V Art. no.	6 V Art. no.	12 V Art. no.	24 V Art. no.
DC (10 Imp/s)	1.650.950.002	1.650.950.006	1.650.950.008	1.650.950.009	1.650.950.010	1.650.950.012	1.650.950.013

Type K 67.95



K 67.95	1,5 V Art. no.	3 V Art. no.	4,5 V Art. no.	5 V Art. no.	6 V Art. no.	12 V Art. no.	24 V Art. no.
DC (10 imp/s)	1.660.950.002	1.660.950.006	1.6650.950.008	1.660.950.009	1.660.950.010	1.660.950.012	1.660.950.013