

## Mini Counters – W 15 / AW 15



- 5-digit miniature pulse counter, adding with manual reset
- Power consumption min. 130 mW
- Suitable for battery and electronic switching operations
- Long operating life (50 Mio. pulses)
- Available for all DC and AC voltages
- DIN housing 24 mm x 48 mm [0.945 x 1.89"] available

### Applications:

Machines and appliances, battery-powered devices, heating and water consumption measurement, establishing tolls and charges, general counting systems

### Technical data:

Electrical connection:	standard:	flying leads AWG 22, approx. 150 mm [5.906"] long, $\varnothing$ 0,34 mm <sup>2</sup>
	options:	pins $\varnothing$ 1.5 mm [0.059"] with push on connectors
Rated voltage:	type 05:	1.5/3/4.5/5/6/12 V DC +15 % -5 %
	type 0:	12/24/48/115/185 V DC $\pm$ 10 %
	type a0:	12/24/48/115/230 V AC $\pm$ 10 %
Cycle duration factor:	100 %	
Height of figures:	approx. 1.7 x 4 mm [0.067 x 0.158"]	
Colour of figures:	white on black	
Shafts:	stainless steel	
Ambient temperature:	-10 ... +50 °C [14 ... 122 °F]	
Mounting position:	any	
Operating life:	> 50 x 10 <sup>6</sup> pulses	
Weight:	AC 52 g, DC 62 g [AC 1.834 oz, DC 2.187 oz]	

### Options:

- electrical Connection: instead of flying leads, pin  $\varnothing$  1.5 mm [0.059"] with push on connectors  
Art. no.: 1.151.X1X.XXX
  - with flat pin 0.8 x 2.8 mm [0.032 x 0.11"] and flat push on connectors  
Art. no.: 1.159.X1X.XXX
  - ...with flat pin 0.8 x 6.3 [0.032 x 0.248"]  
...Art-No.: 1.155.XXX.XXX
  - ...with screw terminal  
... Art. no.: 1.154.XXX.XXX
  - different temperature range on request
- Colour of housing: light grey: Art. no.: X.XXX.XX0.XXX  
black: Art. no.: X.XXX.XX1.XXX  
availability see table

### Series:

Type	Description
W 15.01	Housing without front panel, rear screw mount
W 15.21	Panel mount with spring clip 31 x 20 mm [1.221 x 0.788"]
W 15.21.56	Built in counter with spring, dimension 33.5 x 22.5 mm [1.32 x 0.89"]
W 15.51	DIN housing 24 x 48, dimension 22 x 45 mm [0.866 x 1.772"]
W 15.91	Built in counter with spring, dimension 37.5 x 23.5 mm [1.477 x 0.925"]
AW 15.01	Base mount with two mounting holes

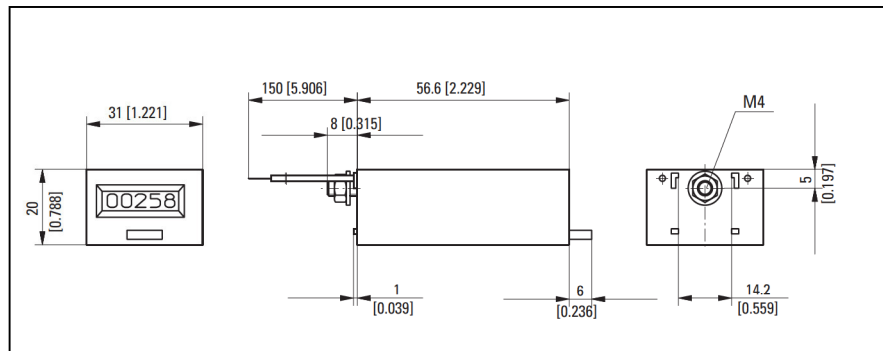
### Counting mechanism:

Voltage	Model	Max. pulse speed	Pulse on time	Pulse interval min.	Power consumpt. approx.	Residual ripple voltage max.
V DC	05	8	50 ms	75 ms	130 mW	5 %
	0	10	50 ms	50 ms	0.5 W ( $\leq$ 115 V) 1 W (185 V)	48 %
V AC	a0	10	50 ms	50 ms	0.75 VA ( $\leq$ 115 V) 1.5 VA (230 V)	

### Order code:

- Article number
- For special voltages, please give type, voltage, kind of voltage and series e.g. W 15.21, 4.5 V DC/0, black.

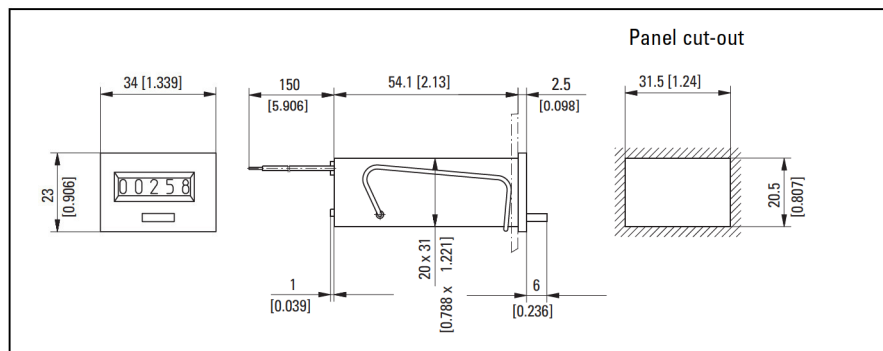
## Type W 15.01



W 15.01 (5-digit)	12 V Art. no.	24 V Art. no.	115 V Art. no.	230 V Art. no.
DC (8 Imp/s)	1.150.010.049	1.150.010.050		
DC (10 Imp/s)	1.150.010.012	1.150.010.013		
AC (10 Imp/s)		1.150.010.051	1.150.010.054	1.150.010.056

Colour of housing black  
Art. no. 1.150.011.XXX

## Type W 15.21

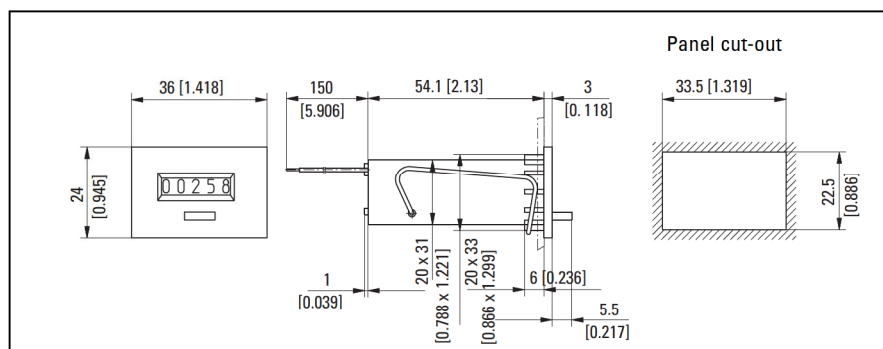


W 15.21 (5-digit)	12 V Art. no.	24 V Art. no.	115 V Art. no.	230 V Art. no.
DC (8 Imp/s)	1.150.210.049	1.150.210.050		
DC (10 Imp/s)	1.150.210.012	1.150.210.013*		
AC (10 Imp/s)		1.150.210.051*	1.150.210.054	1.150.210.056*

Colour of housing black:  
Art. no. 1.150.211.XXX

Further stock models:  
1.150.211.012 12 V DC/0 sw  
1.150.211.013 24 V DC/0 sw  
1.150.211.050 24 V DC/05 sw  
1.150.211.054 115 V AC/a0 sw  
1.150.211.056 230 V AC/a0 sw

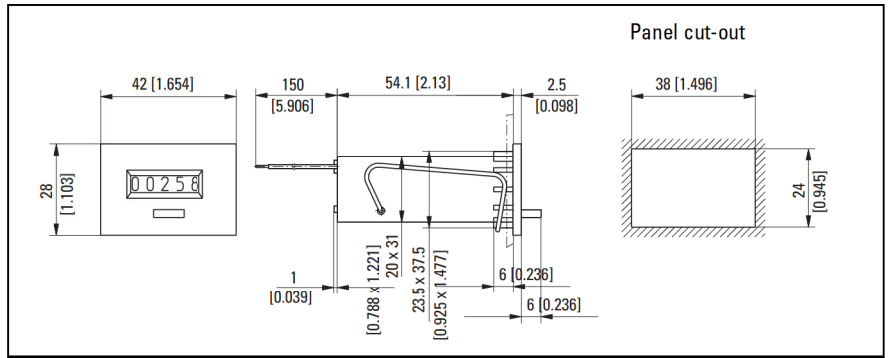
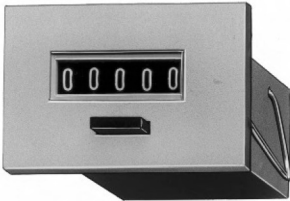
## Type W 15.21.56



W 15.21.56 (5-digit)	12 V Art. no.	24 V Art. no.	115 V Art. no.	230 V Art. no.
DC (8 Imp/s)	1.150.210.049.056	1.150.210.050.056		
DC (10 Imp/s)	1.150.210.012.056	1.150.210.013.056		
AC (10 Imp/s)		1.150.210.051.056	1.150.210.054.056	1.150.210.056.056

Colour of housing black:  
Art. no. 1.150.211.XXX.056

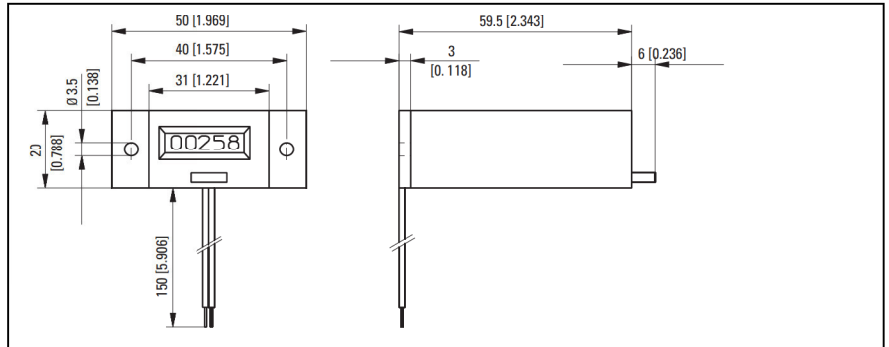
## Type W 15.91



W 15.91 (5-digit)	12 V Art. no.	24 V Art. no.	115 V Art. no.	230 V Art. no.
DC (8 Imp/s)	1.150.910.049	1.150.910.050		
DC (10 Imp/s)	1.150.910.012	1.150.910.013		
AC (10 Imp/s)		1.150.910.051	1.150.910.054	1.150.910.056

Colour of housing black:  
Art. no. 1.150.911.XXX

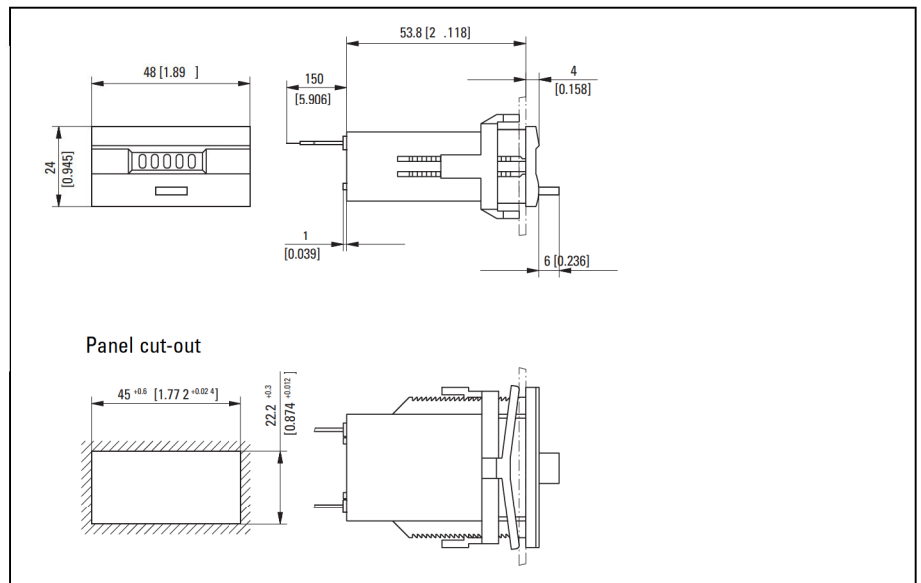
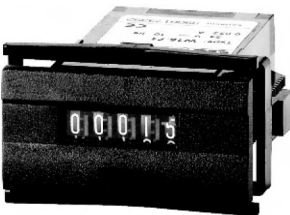
## Type AW 15.01



AW 15.01 (5-digit)	12 V Art. no.	24 V Art. no.	115 V Art. no.	230 V Art. no.
DC (8 Imp/s)	1.152.011.049	1.152.011.050		
DC (10 Imp/s)	1.152.011.012	1.152.011.013		
AC (10 Imp/s)		1.152.011.051	1.152.011.054	1.152.011.056

Colour of housing black

## Type W 15.51



W 15.51 (5 digit)	12 V Art. no.	24 V Art. no.	115 V Art. no.	230 V Art. no.
DC (8 Imp/s)	1.150.510.049.550	1.150.510.050.550		
DC (10 Imp/s)	1.150.510.012.550*	1.150.510.013.550*		
AC (10 Imp/s)		1.150.510.051.550	1.150.510.054.550*	1.150.510.056.550*

Colour of housing anthracite