

15D Series(1)



15W 2-Channel

- **5V2.5A 5V0.5A/
5V2A 9V0.5A/
5V2A 12V0.5A/
5V2A 15V0.4A/
5V1.5A 24V0.3A
2-Channel Output**
- **Wide Input Voltage Range (AC85-264V)**
- **Built-in Inrush Current Limiter, Over Current Protector and Over Voltage Protector**
- **Over Temperature Protection**
- **Auto-Restart Mode**

SPECIFICATIONS

Item		UP15DAA	UP15DAB	UP15DAC	UP15DAD	UP15DAE					
INPUT	VOLTAGE	AC85~264V					0.4A typ (ACIN 110V, Io=100%) 0.2A typ (ACIN 220V, Io=100%)				
	FREQUENCY	50/60Hz(47~63Hz)									
	EFFICIENCY	70% Typ	70% Typ	70% Typ	70% Typ	70% Typ					
	INRUSH CURRENT	20A Typ(ACIN 110V, Io=100%)/40A Typ(ACIN 220V, Io=100%) at cold start									
OUTPUT	VOLTAGE [V]	5	5	5	9	5	12	5	15	5	24
	CURRENT [A]	2.5	0.5	2.0	0.5	2.0	0.5	2.0	0.4	1.5	0.3
	LINE REGULATION [mV]	25 Max	25 Max	25 Max	45 Max	25 Max	60 Max	25 Max	75 Max	25 Max	120 Max
	LOAD REGULATION [mV]	50 Max	50 Max	50 Max	90 Max	50 Max	120 Max	50 Max	150 Max	50 Max	240 Max
	RIPPLE [mVp-p]	50 Max	50 Max	50 Max	90 Max	50 Max	120 Max	50 Max	150 Max	50 Max	240 Max
	RIPPLE NOISE [mVp-p]	100 Max	100 Max	100 Max	140 Max	100 Max	170 Max	100 Max	200 Max	100 Max	290 Max
	TEMPERATURE DRIFT,0-50°C [mV]	50 Max	50 Max	50 Max	90 Max	50 Max	120 Max	50 Max	150 Max	50 Max	240 Max
	RISE TIME [msec]	100 Max (ACIN 85V, Io=100%)									
	HOLDING TIME [msec]	10 Typ(ACIN 85V, Io=100%)									
PROTEC-TION	OVER CURRENT PROTECTION	Works at over 110% of rating and recovers automatically									
	OVER VOLTAGE PROTECTION	Works at 115~140% of rating									
ISOLAT-ION	INPUT-OUTPUT	AC3,000V for 1 minute, DC500V 100Mohm (At room temp. & humid.)									
	INPUT-CASE, FG	AC1,500V for 1 minute, DC500V 100Mohm (At room temp. & humid.)									
	OUTPUT-CASE	AC500V for 1 minute, DC500V 100Mohm (At room temp. & humid.)									
ENVIRON-MENT	OPERATING TEMP. & HUMID.	-10~+50°C, 20~90%RH(Non condensing)									
	STORAGE TEMP. & HUMID.	-20~+75°C, 20~90%RH(Non condensing)									
	VIBRATION	10~55Hz at 1G 3 minutes period, 30 minutes along X, Y and Z axis									
	IMPACT	10G for 20 msec, Once on each X, Y and Z axis									
	APPROVALS										

15D Series(2)



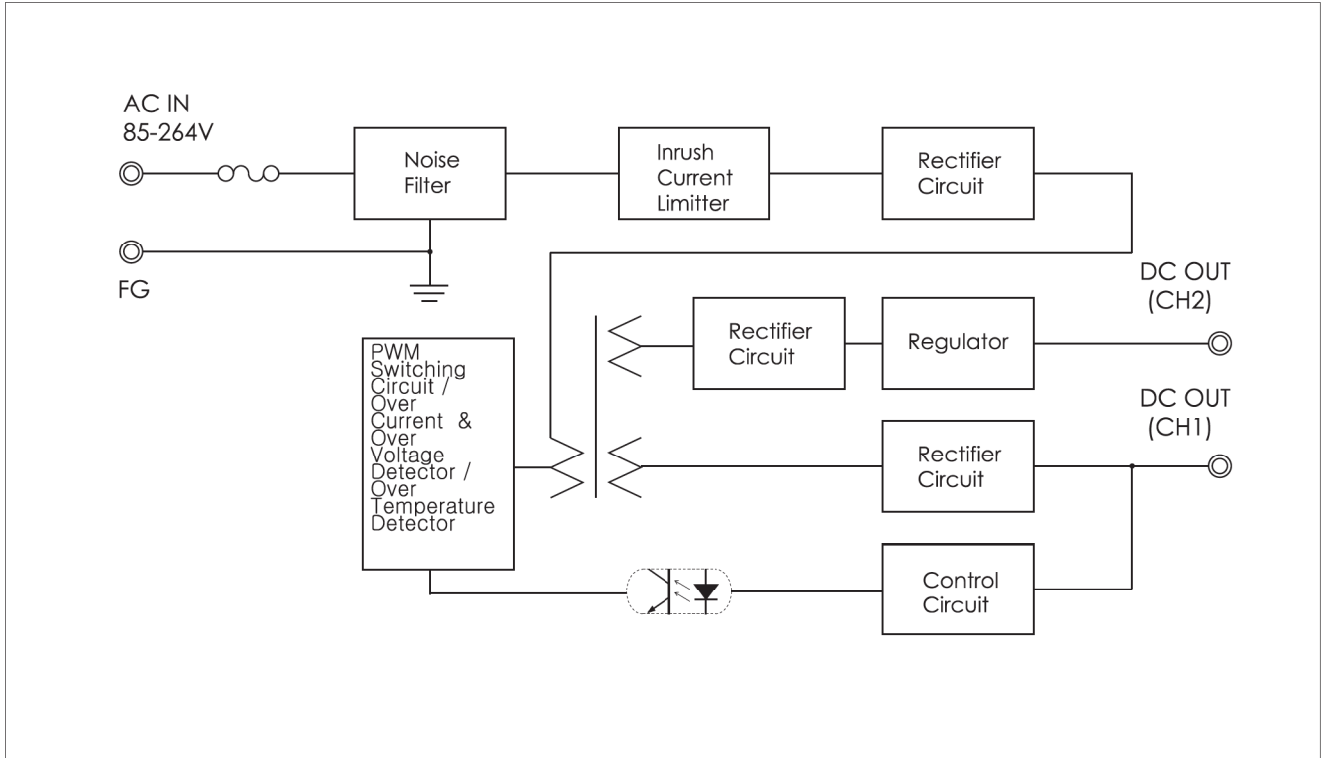
15W 2-Channel

- **9V1.2A 9V0.5A/
12V0.7A 12V0.5A/
15V0.5A 15V0.5A/
24V0.3A 24V0.3A/
2-Channel Output**
- **Wide Input Voltage Range (AC85-264V)**
- **Built-in Inrush Current Limiter, Over Current Protector and Over Voltage Protector**
- **Over Temperature Protection**
- **Auto-Restart Mode**

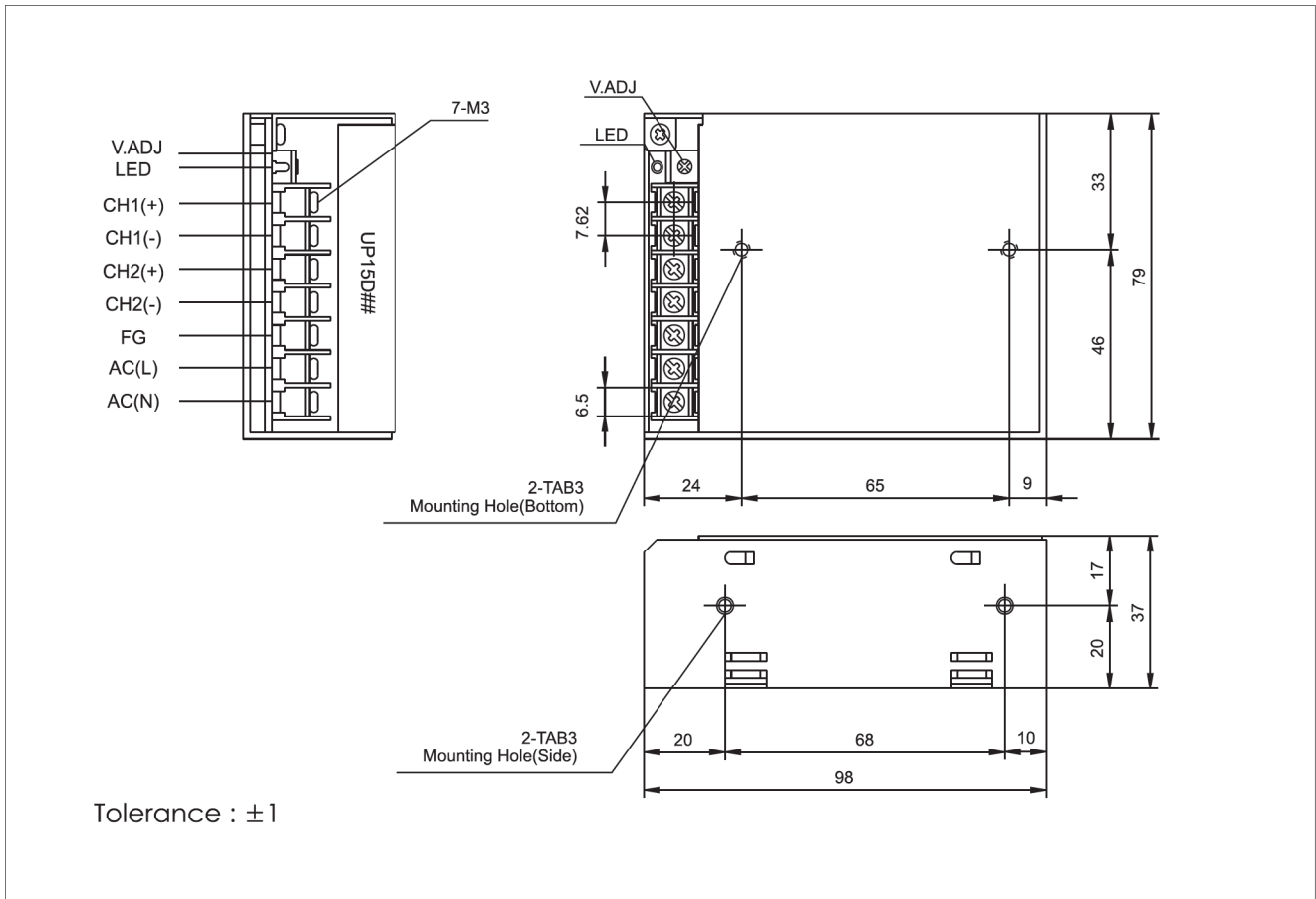
SPECIFICATIONS

Item		UP15DBB		UP15DCC		UP15DDD		UP15DEE	
INPUT	VOLTAGE	AC85~264V						0.4A typ (ACIN 110V, Io=100%) 0.2A typ (ACIN 220V, Io=100%)	
	FREQUENCY	50/60Hz(47~63Hz)							
	EFFICIENCY	70% Typ		70% Typ		70% Typ		70% Typ	
	INRUSH CURRENT	20 A Typ(ACIN 110V, Io=100%) / 40A Typ(ACIN 220V, Io=100%) at cold start							
OUTPUT	VOLTAGE [V]	9	9	12	12	15	15	24	24
	CURRENT [A]	1.2	0.5	0.7	0.5	0.5	0.5	0.3	0.3
	LINE REGULATION [mV]	45 Max	45 Max	60 Max	60 Max	75 Max	75 Max	120 Max	120 Max
	LOAD REGULATION [mV]	90 Max	90 Max	120 Max	120 Max	150 Max	150 Max	240 Max	240 Max
	RIPPLE [mVp-p]	90 Max	90 Max	120 Max	120 Max	150 Max	150 Max	240 Max	240 Max
	RIPPLE NOISE [mVp-p]	140 Max	140 Max	170 Max	170 Max	200 Max	200 Max	290 Max	290 Max
	TEMPERATURE DRIFT,0-50°C [mV]	90 Max	90 Max	120 Max	120 Max	150 Max	150 Max	240 Max	240 Max
	RISE TIME [msec]	100 Max (ACIN 85V, Io=100%)							
	HOLDING TIME [msec]	10 Typ (ACIN 85V, Io=100%)							
PROTEC-TION	OVER CURRENT PROTECTION	Works at over 110% of rating and recovers automatically							
	OVER VOLTAGE PROTECTION	Works at over 115~140% of rating							
ISOLAT-ION	INPUT-OUTPUT	AC3,000V for 1 minute, DC500V 100Mohm (At room temp. & humid.)							
	INPUT-CASE, FG	AC1,500V for 1 minute, DC500V 100Mohm (At room temp. & humid.)							
	OUTPUT-CASE	AC500V for 1 minute, DC500V 100Mohm (At room temp. & humid.)							
ENVIRON-MENT	OPERATING TEMP. & HUMID.	0~+50°C, 20~90%RH (Non condensing)							
	STORAGE TEMP. & HUMID.	-20~+75°C, 20~90%RH (Non condensing)							
	VIBRATION	10~55Hz at 1G 3 minutes period, 30 minutes along X, Y and Z axis							
	IMPACT	10G for 20 msec, Once on each X, Y and X axis							
	APPROVALS								

BLOCK DIAGRAM



DIMENSIONS(UNITS : MM)



S.M.P.S