

30D Series(1)



30W 2-Channel

- **5V5A 5V1A/
5V3A 9V1.6A/
5V3A 12V1.2A
5V4A 15V0.8A
5V3A 24V0.6A
2-Channel Output**
- **Wide Input Voltage Range (AC85-264V)**
- **Built-in Inrush Current Limiter, Over Current Protector and Over Voltage Protector**
- **Over Temperature Protection**
- **Auto-Restart Mode**

SPECIFICATIONS

Item		UP30DAA	UP30DAB	UP30DAC	UP30DAD	UP30DAE					
INPUT	VOLTAGE	AC85~264V					0.7A typ (ACIN 110V, Io=100%) 0.35A typ (ACIN 220V, Io=100%)				
	FREQUENCY	50/60Hz(47~63Hz)									
	EFFICIENCY	80% Typ	80% Typ	80% Typ	80% Typ	80% Typ					
	INRUSH CURRENT	20A Typ(ACIN 110V, Io=100%)/40A Typ(ACIN 220V, Io=100%) at cold start									
OUTPUT	VOLTAGE [V]	5	5	5	9	5	12	5	15	5	24
	CURRENT [A]	5.0	1.0	3.0	1.6	3.0	1.2	4.0	0.8	3.0	0.6
	LINE REGULATION [mV]	25 Max	25 Max	25 Max	45 Max	25 Max	60 Max	25 Max	75 Max	25 Max	120 Max
	LOAD REGULATION [mV]	50 Max	50 Max	50 Max	90 Max	50 Max	120 Max	50 Max	150 Max	50 Max	240 Max
	RIPPLE [mVp-p]	50 Max	50 Max	50 Max	90 Max	50 Max	120 Max	50 Max	150 Max	50 Max	240 Max
	RIPPLE NOISE [mVp-p]	100 Max	100 Max	100 Max	140 Max	100 Max	170 Max	100 Max	200 Max	100 Max	290 Max
	TEMPERATURE DRIFT,0-50℃ [mV]	50 Max	50 Max	50 Max	90 Max	50 Max	120 Max	50 Max	150 Max	50 Max	240 Max
	RISE TIME [msec]	100 Max (ACIN 85V, Io=100%)									
	HOLDING TIME [msec]	10 Typ(ACIN 85V, Io=100%)									
PROTECTION	OVER CURRENT PROTECTION	Works at over 110% of rating and recovers automatically									
	OVER VOLTAGE PROTECTION	Works at 115~140% of rating									
ISOLATION	INPUT-OUTPUT	AC3,000V for 1 minute, DC500V 100Mohm (At room temp. & humid.)									
	INPUT-CASE, FG	AC1,500V for 1 minute, DC500V 100Mohm (At room temp. & humid.)									
	OUTPUT-CASE	AC500V for 1 minute, DC500V 100Mohm (At room temp. & humid.)									
ENVIRONMENT	OPERATING TEMP. & HUMID.	-10~+50℃, 20~90%RH(Non condensing)									
	STORAGE TEMP. & HUMID.	-20~+75℃, 20~90%RH(Non condensing)									
	VIBRATION	10~55Hz at 1G 3 minutes period, 30 minutes along X, Y and Z axis									
	IMPACT	10G for 20 msec, Once on each X, Y and Z axis									
	APPROVALS										

30D Series(2)



30W 2-Channel

- **9V2.4A 9V1A/
12V1.2A 12V1.2A/
15V1A 15V1A/
24V0.6A 24V0.6A
2-Channel Output**
- **Wide Input Voltage Range
(AC85-264V)**
- **Built-in Inrush Current
Limiter, Over Current
Protector and Over
Voltage Protector**
- **Over Temperature
Protection**
- **Auto-Restart Mode**

SPECIFICATIONS

Item		UP30DBB		UP30DCC		UP30DDD		UP30DEE	
INPUT	VOLTAGE	AC85~264V						0.7A typ (ACIN 110V, Io=100%) 0.35A typ (ACIN 220V, Io=100%)	
	FREQUENCY	50/60Hz(47~63Hz)							
	EFFICIENCY	80% Typ		80% Typ		80% Typ		80% Typ	
	INRUSH CURRENT	20A Typ(ACIN 110V, Io=100%)/ 40A Typ(ACIN 220V, Io=100%) at cold start							
OUTPUT	VOLTAGE [V]	9	9	12	12	15	15	24	24
	CURRENT [A]	2.4	1.0	1.2	1.2	1.0	1.0	0.6	0.6
	LINE REGULATION [mV]	45 Max	45 Max	60 Max	60 Max	75 Max	75 Max	120 Max	120 Max
	LOAD REGULATION [mV]	90 Max	90 Max	120 Max	120 Max	150 Max	150 Max	240 Max	240 Max
	RIPPLE [mVp-p]	90 Max	90 Max	120 Max	120 Max	150 Max	150 Max	240 Max	240 Max
	RIPPLE NOISE [mVp-p]	140 Max	140 Max	170 Max	170 Max	200 Max	200 Max	290 Max	290 Max
	TEMPERATURE DRIFT,0-50°C [mV]	90 Max	90 Max	120 Max	120 Max	150 Max	150 Max	240 Max	240 Max
	RISE TIME [msec]	100 Max (ACIN 85V, Io=100%)							
	HOLDING TIME [msec]	10 Typ (ACIN 85V, Io=100%)							
PROTEC-TION	OVER CURRENT PROTECTION	Works at over 110% of rating and recovers automatically							
	OVER VOLTAGE PROTECTION	Works at over 115~140% of rating							
ISOLAT-ION	INPUT-OUTPUT	AC3,000V for 1 minute, DC500V 100Mohm (At room temp. & humid.)							
	INPUT-CASE, FG	AC1,500V for 1 minute, DC500V 100Mohm (At room temp. & humid.)							
	OUTPUT-CASE	AC500V for 1 minute, DC500V 100Mohm (At room temp. & humid.)							
ENVIRON-MENT	OPERATING TEMP. & HUMID.	0~+50°C, 20~90%RH (Non condensing)							
	STORAGE TEMP. & HUMID.	-20~+75°C, 20~90%RH (Non condensing)							
	VIBRATION	10~55Hz at 1G 3 minutes period, 30 minutes along X, Y and axis							
	IMPACT	10G for 20 msec, Once on each X, Y and Z axis							
	APPROVALS								

30D Series(3)



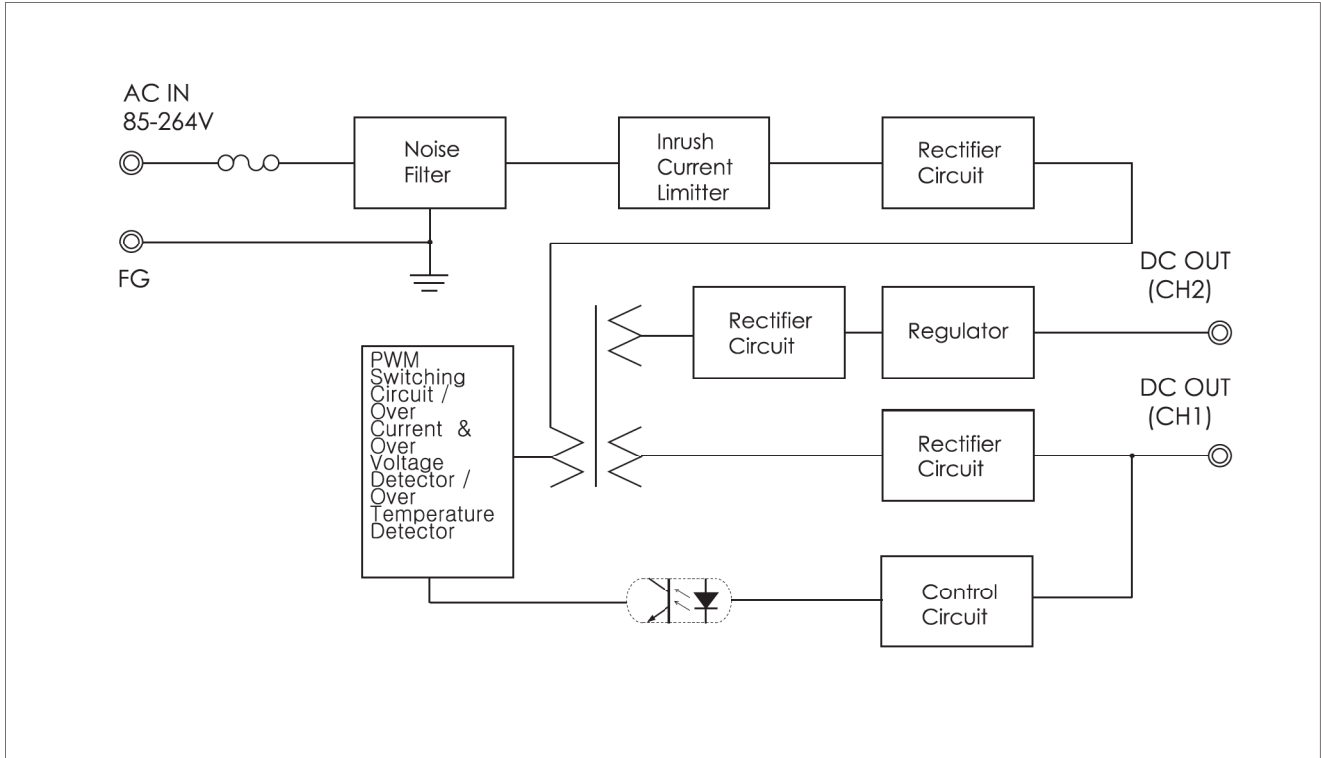
30W 2-Channel

- **9V2.6A 5V1.2A/
12V2A 5V1.2A/
15V1.6A 5V1.2A/
24V1A 5V1.2A
2-Channel Output**
- **Wide Input Voltage Range
(AC85-264V)**
- **Built-in Inrush Current
Limiter, Over Current
Protector and Over
Voltage Protector**
- **Over Temperature
Protection**
- **Auto-Restart Mode**

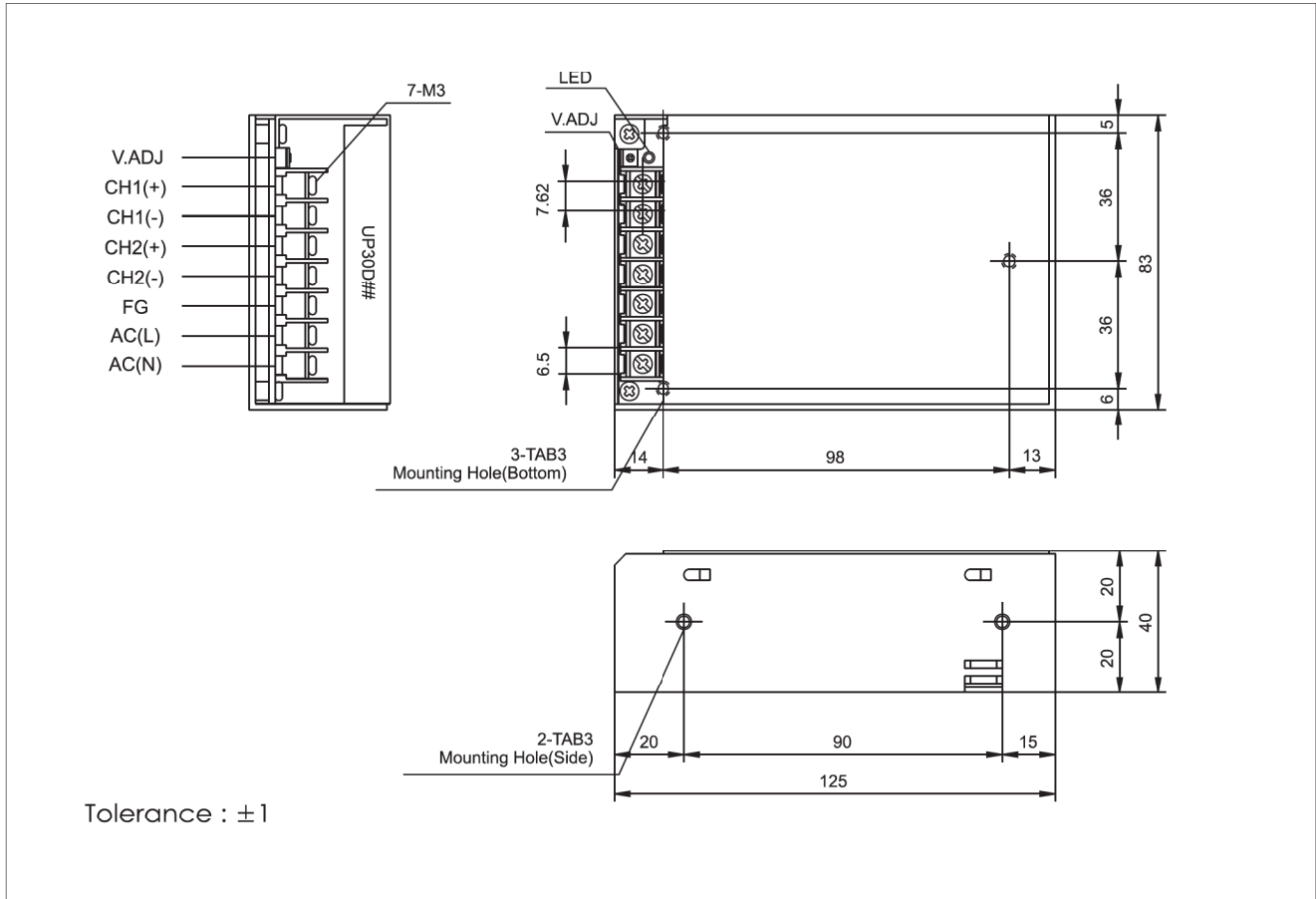
SPECIFICATIONS

Item		UP30DBA		UP30DCA		UP30DDA		UP30DEA	
INPUT	VOLTAGE	AC85~264V							
	FREQUENCY	50/60Hz(47~63Hz)							
	EFFICIENCY	80% Typ	80% Typ	80% Typ	80% Typ	80% Typ	80% Typ	80% Typ	80% Typ
	INRUSH CURRENT	20A Typ(ACIN 110V, Io=100%)/ 40A Typ(ACIN 220V, Io=100%) at cold start							
OUTPUT	VOLTAGE [V]	9	5	12	5	15	5	24	5
	CURRENT [A]	2.6	1.2	2.0	1.2	1.6	1.2	1.0	1.2
	LINE REGULATION [mV]	45 Max	25 Max	60 Max	25 Max	75 Max	25 Max	120 Max	25 Max
	LOAD REGULATION [mV]	90 Max	50 Max	120 Max	50 Max	150 Max	50 Max	240 Max	50 Max
	RIPPLE [mVp-p]	90 Max	50 Max	120 Max	50 Max	150 Max	50 Max	240 Max	50 Max
	RIPPLE NOISE [mVp-p]	140 Max	100 Max	170 Max	100 Max	200 Max	100 Max	290 Max	100 Max
	TEMPERATURE DRIFT,0-50°C [mV]	90 Max	50 Max	120 Max	50 Max	150 Max	50 Max	240 Max	50 Max
	RISE TIME [msec]	100 Max (ACIN 85V, Io=100%)							
	HOLDING TIME [msec]	10 Typ(ACIN 85V, Io=100%)							
PROTEC-TION	OVER CURRENT PROTECTION	Works at over 110% of rating and recovers automatically							
	OVER VOLTAGE PROTECTION	Works at 115~140% of rating							
ISOLAT-ION	INPUT-OUTPUT	AC3,000V for 1 minute, DC500V 100Mohm (At room temp. & humid.)							
	INPUT-CASE, FG	AC1,500V for 1 minute, DC500V 100Mohm (At room temp. & humid.)							
	OUTPUT-CASE	AC500V for 1 minute, DC500V 100Mohm (At room temp. & humid.)							
ENVIRON-MENT	OPERATING TEMP. & HUMID.	-10~+50°C, 20~90%RH(Non condensing)							
	STORAGE TEMP. & HUMID.	-20~+75°C, 20~90%RH(Non condensing)							
	VIBRATION	10~55Hz at 1G 3 minutes period, 30 minutes along X, Y and Z axis							
	IMPACT	10G for 20 msec, Once on each X, Y and Z axis							
	APPROVALS								

BLOCK DIAGRAM



DIMENSIONS (UNITS : MM)



S.M.P.S