

MODEL
MR - PDC

DISPLAY & POWER DISTRIBUTOR CONVERTER



This is a converter used to supply power all types of transmitter used at the site and to output insulated signal by receiving the signal. With built-in noise removal filter, transfers correct signal, and precision isolation circuits enable perfect signal transfer not affected by withstand insulation voltage, transfer speed, noise, etc.

본 변환기는 현장에 사용되는 각종 TRANSMITTER에 전원을 공급하며, 그 신호를 받아 절연된 신호를 출력하는 목적으로 사용되는 변환기입니다.

NOISE제거 FILTER를 내장하여 정확한 신호전송을 하며, 정밀 ISOLATION회로는 절연내압, 속도, NOISE등의 영향없는 완벽한 신호전달을 가능하게 합니다.

■ **FEATURES**

Small size(mm) : 83(H), 51(W), 102(D).
 Isolation : input to output to power supply.
 Power supply : AC or DC supply.
 Wiring : terminal socket wiring.
 Case & color : black ABS plastic case.
 Weight : about 400g

■ **INPUT SIGNAL SPECIFICATION**

Input current signal : 30mADC max.
 Input current load resistance : 100ohm max. (at 20mA)
 External power source : DC22 ~ 26V/30mA Max.

■ **OUTPUT SIGNAL SPECIFICATION**

Output voltage signal : 12VDC max.
 Output voltage impedance : 2Kohm min.
 Output voltage noise : 10mV p-p max.
 Output current signal : 30mADC max.
 Output load resistance : 750ohm max.
 Output current noise(250ohm load) : 10mV p-p.

OUTPUT	IMPEDANCE	OUTPUT	LOAD - R
0 - 1VDC	> 1Kohm	0 - 1mA	< 15Kohm
0 - 5VDC	> 2Kohm	0 - 20mA	< 750ohm
1 - 5VDC	> 2Kohm	1 - 5mA	< 3Kohm
0 - 10VDC	> 4Kohm	4 - 20mA	< 750ohm

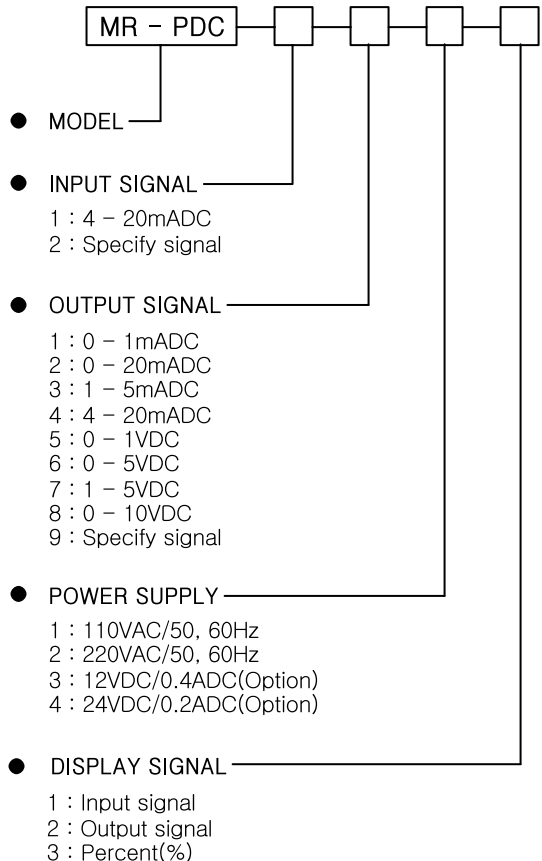
■ **GENERAL SPECIFICATION**

Operating ambient temperature : 0 - 50°C.
 Non operating ambient temperature : -20 ~ 80°C.
 Temperature coefficient : 0.015%/°C.
 Operating ambient humidity : 90% RH max.(non condensing)
 Insulation resistance : greater than 100Mohm with 500VDC.
 Dielectric strength : 1500VAC @ 1minute
 (input to output to power).
 Adjustment range : 20% (zero & span) min.
 Conversion accuracy : 0.15% max.
 Response time : 0 - 90%(0.5sec).

■ **DISPLAY(OPTION)**

Type : 3 digit FND
 Display font : red super bright.
 Display function : input or output or percent(%)
 Display error : 1digit(LSB).

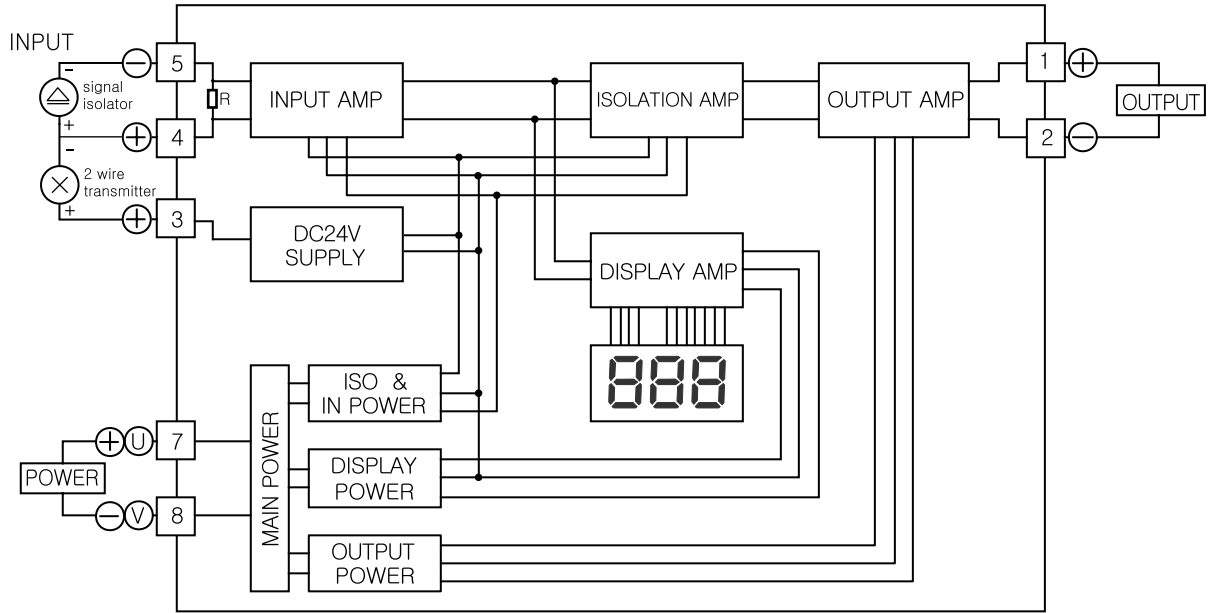
■ **MODEL & SPECIFICATION CODE**



DISPLAY & POWER DISTRIBUTOR CONVERTER

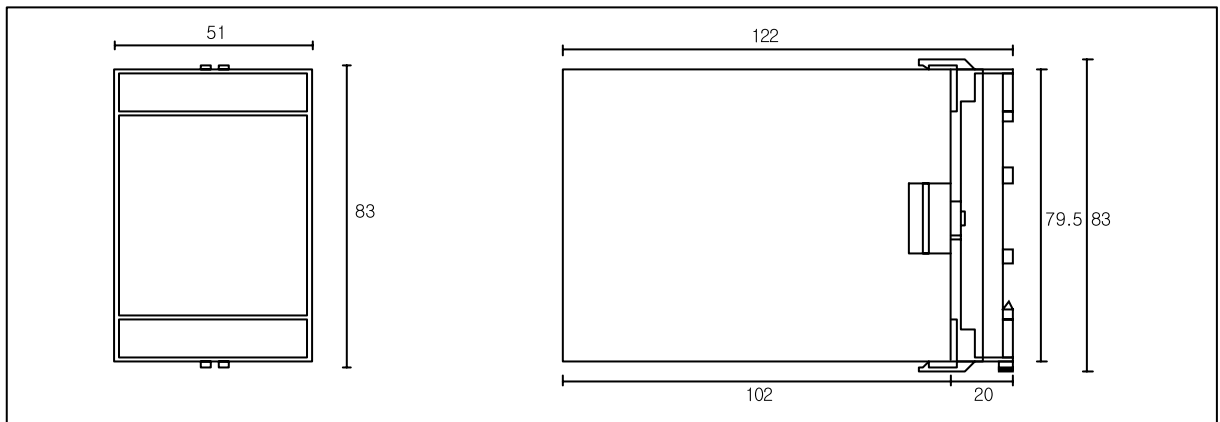
MODEL
MR - PDC

■ BLOCK DIAGRAM & PIN CONNECTION

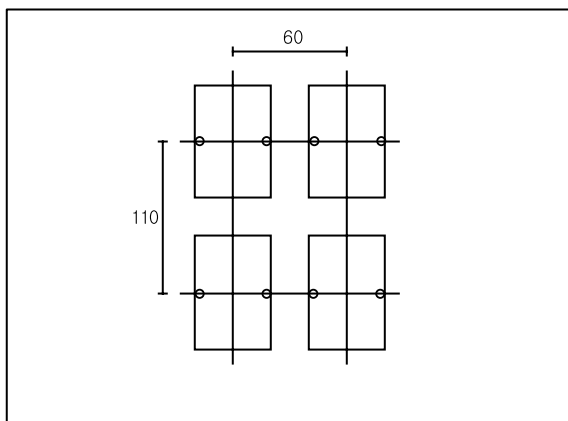


■ EXTERNAL DIMENSION, TERMINAL ARRANGEMENT & MOUNTING SPACE

DIMENSION'S (mm)



MOUNTING SPACE (mm)



SOCKET DIMENSION'S (mm) & TERMINAL ARRANGEMENT

