

MODEL  
MR - ISO

## DISPLAY & DC SIGNAL ISOLATION CONVERTER



This is a converter used for transmitting or converting DC signal.

With built-in noise removal filter, transfers correct signal, and precision isolation circuits enable perfect signal transfer not affected by withstand insulation voltage, transfer speed, noise, etc.

본 변환기는 직류신호를 전송, 또는 변환하기 위한 목적으로 사용되는 변환기입니다.

NOISE제거 FILTER를 내장하여 정확한 신호전송을 하며, 정밀 ISOLATION회로는 절연내압, 속도, NOISE등의 영향없는 완벽한 신호전달을 가능하게 합니다.

### FEATURES

Small size(mm) : 83(H), 51(W), 102(D).  
Isolation : input to output to power supply.  
Power supply : AC or DC supply.  
Wiring : terminal socket wiring.  
Case & color : black ABS plastic case.  
Weight : about 400g

### INPUT SIGNAL SPECIFICATION

Input voltage signal : -300 ~ 300VDC  
Input voltage impedance : 1Mohm min.  
Input current signal : 30mADC max.  
Input current load resistance : 100ohm max. (at 20mA)

### OUTPUT SIGNAL SPECIFICATION

Output voltage signal : 12VDC max.  
Output voltage impedance : 2Kohm min.  
Output voltage noise : 10mV p-p max.  
Output current signal : 30mADC max.  
Output load resistance : 750ohm max.  
Output current noise(250ohm load) : 10mV p-p.

OUTPUT	IMPEDANCE	OUTPUT	LOAD - R
0 - 1VDC	> 1Kohm	0 - 1mA	< 15Kohm
0 - 5VDC	> 2Kohm	0 - 20mA	< 750ohm
1 - 5VDC	> 2Kohm	1 - 5mA	< 3Kohm
0 - 10VDC	> 4Kohm	4 - 20mA	< 750ohm

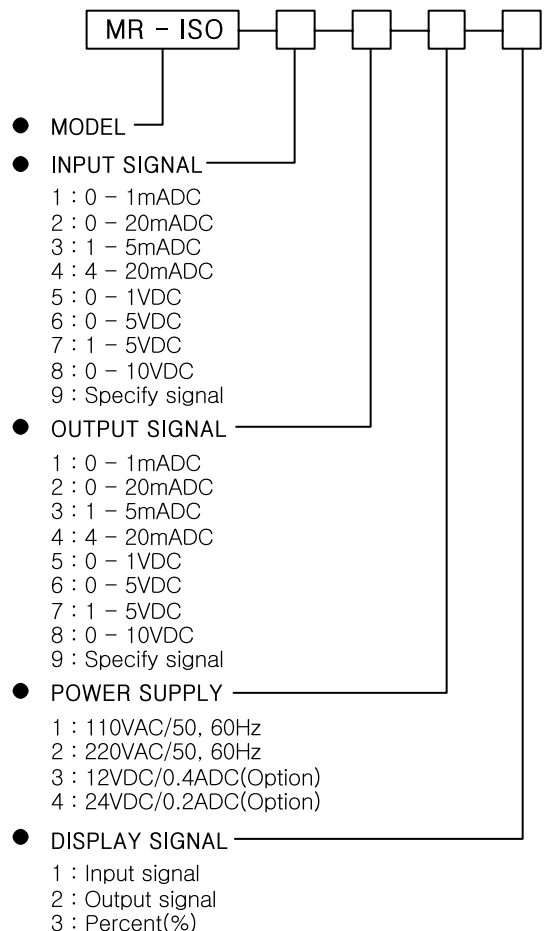
### GENERAL SPECIFICATION

Operating ambient temperature : 0 - 50°C.  
Non operating ambient temperature : -20 ~ 80°C.  
Temperature coefficient : 0.015%/°C.  
Operating ambient humidity : 90% RH max.(non condensing)  
Insulation resistance : greater than 100Mohm with 500VDC.  
Dielectric strength : 1500VAC @ 1minute  
(input to output to power).  
Adjustment range : 20% (zero & span) min.  
Conversion accuracy : 0.15% max.  
Response time : 0 - 90%(0.5sec).

### DISPLAY (OPTION)

Type : 3 digit FND  
Display font : red super bright  
Display function : input or output or percent(%)  
Display error : 1digit(LSB).

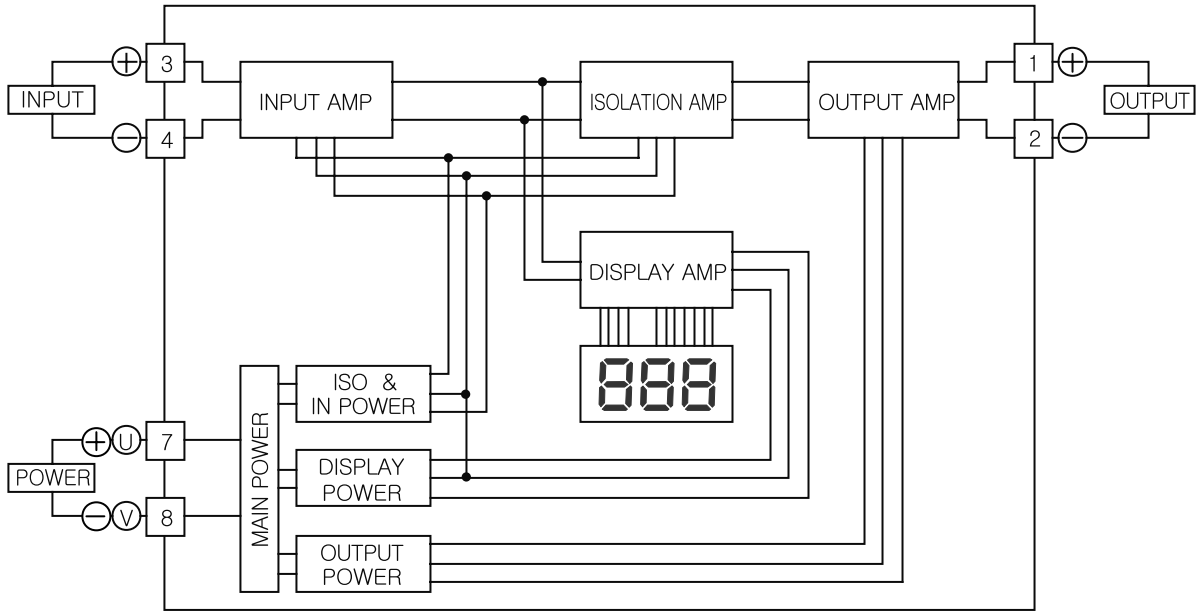
### MODEL & SPECIFICATION CODE



# DISPLAY & DC SIGNAL ISOLATION CONVERTER

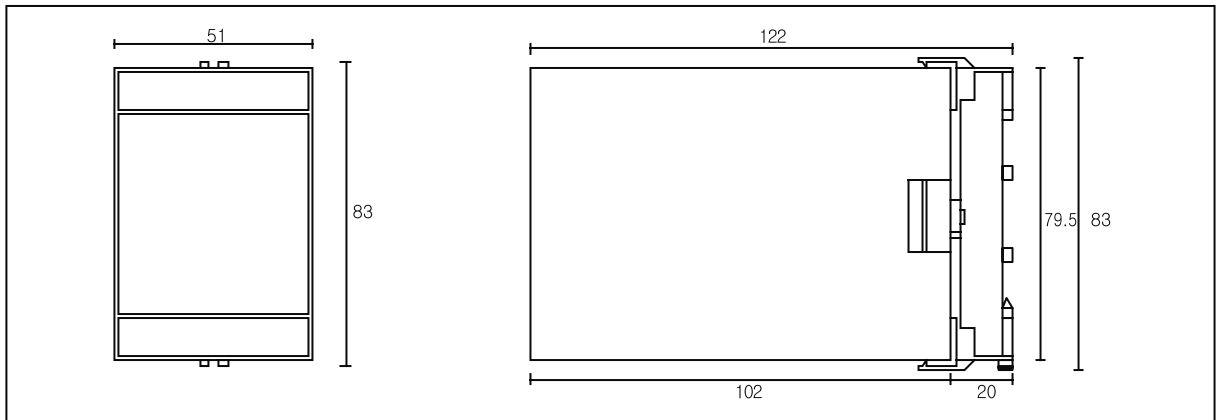
MODEL  
MR - ISO

## ■ BLOCK DIAGRAM & PIN CONNECTION

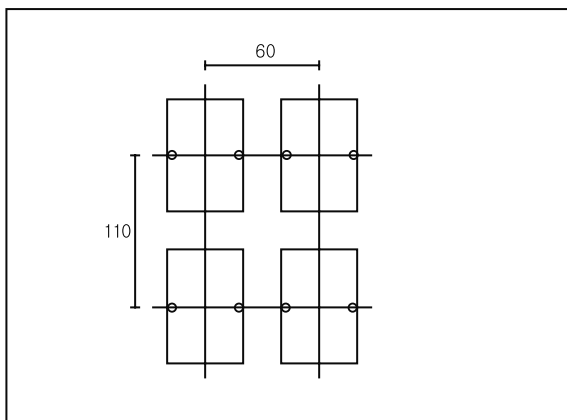


## ■ EXTERNAL DIMENSION, TERMINAL ARRANGEMENT & MOUNTING SPACE

DIMENSION'S (mm)



MOUNTING SPACE (mm)



SOCKET DIMENSION'S (mm) & TERMINAL ARRANGEMENT

