

MODEL  
MR - RTD

## DISPLAY & RTD TEMP' ISOLATION CONVERTER



This is a converter used to DC signal from the RTD temperature sensor.

This is equipped with a linear type of compensation circuit and compensates for non-linear error of the sensor, and enables perfect signal conversion not affected by withstand insulation voltage, transfer speed and noise, etc by adopting precision isolation circuits.

본 변환기는 RTD 온도 SENSOR로부터 직류신호로 변환하는 변환기입니다.

직선성 보상회로를 내장하여, SENSOR의 비직선 오차를 보상하였으며, ISOLATION 회로를 채용, 절연내압, 전달속도, NOISE등의 영향없는 완벽한 신호변환을 가능하게 합니다.

### FEATURES

Small size(mm) : 83(H), 51(W), 102(D).  
Isolation : input to output to power supply.  
Power supply : AC or DC supply.  
Wiring : terminal socket wiring.  
Case & color : black ABS plastic case.  
Weight : about 400g.

### INPUT SIGNAL SPECIFICATION

Input type : 3wire type.  
Input signal Pt50ohm or Pt100ohm  
Input range : -200 ~ 600°C.  
EXT Power : 1.5mA/5VDC.

### OUTPUT SIGNAL SPECIFICATION

Output voltage signal : 12VDC max.  
Output voltage impedance : 2Kohm min.  
Output voltage noise : 10mV p-p max.  
Output current signal : 30mADC max.  
Output load resistance : 750ohm max.  
Output current noise(250ohm load) : 10mV p-p.

OUTPUT	IMPEDANCE	OUTPUT	LOAD - R
0 - 1VDC	> 1Kohm	0 - 1mA	< 15Kohm
0 - 5VDC	> 2Kohm	0 - 20mA	< 750ohm
1 - 5VDC	> 2Kohm	1 - 5mA	< 3Kohm
0 - 10VDC	> 4Kohm	4 - 20mA	< 750ohm

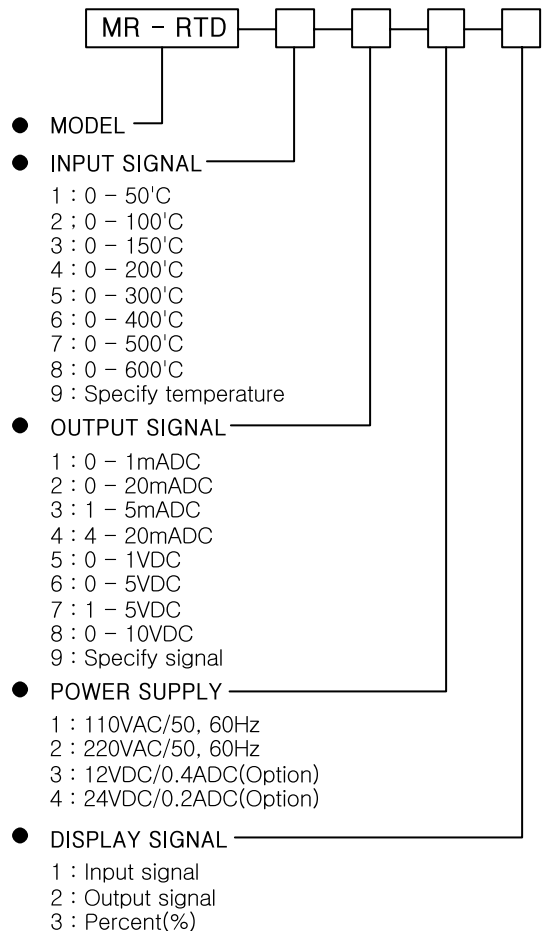
### GENERAL SPECIFICATION

Operating ambient temperature : 0 - 50°C.  
Non operating ambient temperature : -20 ~ 80°C.  
Temperature coefficient : 0.015%/°C.  
Operating ambient humidity : 90% RH max.(non condensing)  
Insulation resistance : greater than 100Mohm with 500VDC.  
Dielectric strength : 1500VAC @ 1minute  
(input to output to power).  
Adjustment range : 20% (zero & span) min.  
Conversion accuracy : 0.15% max.  
Response time : 0 - 90%(0.5sec).  
Burnout circuit : upscale(standard).  
Linearity : 0.2% max.

### DISPLAY (OPTION)

Type : 3 digit FND  
Display font : red super bright  
Display function : input or output or percent(%).  
Display error : 1digit(LSB).

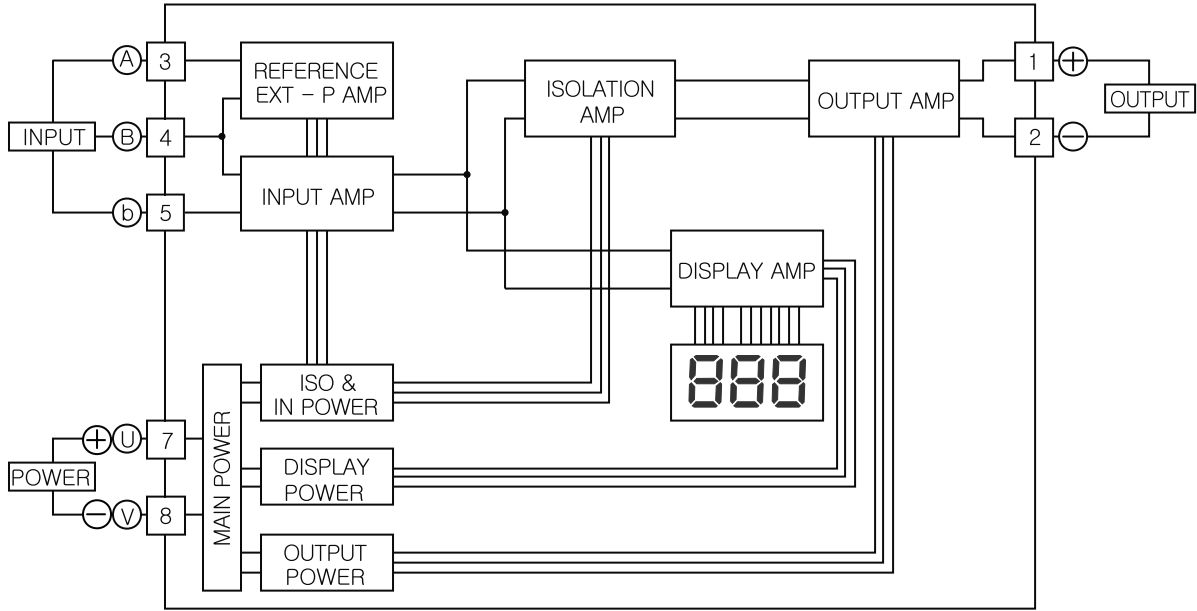
### MODEL & SPECIFICATION CODE



# DISPLAY & RTD TEMP' ISOLATION CONVERTER

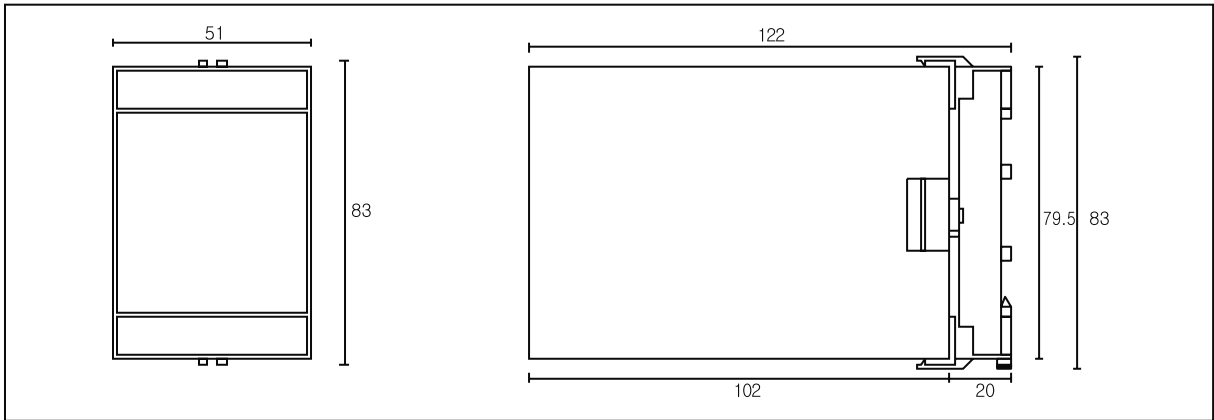
MODEL  
MR - RTD

## ■ BLOCK DIAGRAM & PIN CONNECTION

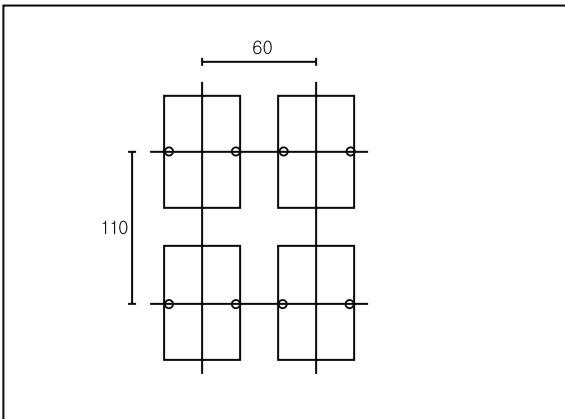


## ■ EXTERNAL DIMENSION, TERMINAL ARRANGEMENT & MOUNTING SPACE

DIMENSION'S (mm)



MOUNTING SPACE (mm)



SOCKET DIMENSION'S (mm) & TERMINAL ARRANGEMENT

