

MODEL
MR - PMC **DISPLAY & POTENTIOMETER ISOLATION CONVERTER**



This is a converter used to converting to DC signal by using input source of a potentiometer.

With built-in noise removal filter, transfers correct signal, and precision isolation circuits enable perfect signal transfer not affected by withstand insulation voltage, transfer speed, noise, etc.

본 변환기는 가변저항기(POTENTIOMETER)를 입력신호원으로 하여, 직류신호로 변환하는 목적으로 사용되는 변환기입니다. 정밀 ISOLATION 회로를 채용, 절연내압, 전달속도, NOISE등의 영향없는 완벽한 신호변환을 가능하게합니다.

FEATURES

Small size(mm) : 83(H), 51(W), 102(D).
Isolation : input to output to power supply.
Power supply : AC or DC supply.
Wiring : terminal socket wiring.
Case & color : black ABS plastic case.
Weight : about 400g

INPUT SIGNAL SPECIFICATION

Input type : 2wire or 3wire.
Input signal : potentiometer(volume).
Input range : 100ohm - 2Mohm.
EXT Power : 5VDC

OUTPUT SIGNAL SPECIFICATION

Output voltage signal : 12VDC max.
Output voltage impedance : 2Kohm min.
Output voltage noise : 10mV p-p max.
Output current signal : 30mADC max.
Output load resistance : 750ohm max.
Output current noise(250ohm load) : 10mV p-p.

OUTPUT	IMPEDANCE	OUTPUT	LOAD - R
0 - 1VDC	> 1Kohm	0 - 1mA	< 15Kohm
0 - 5VDC	> 2Kohm	0 - 20mA	< 750ohm
1 - 5VDC	> 2Kohm	1 - 5mA	< 3Kohm
0 - 10VDC	> 4Kohm	4 - 20mA	< 750ohm

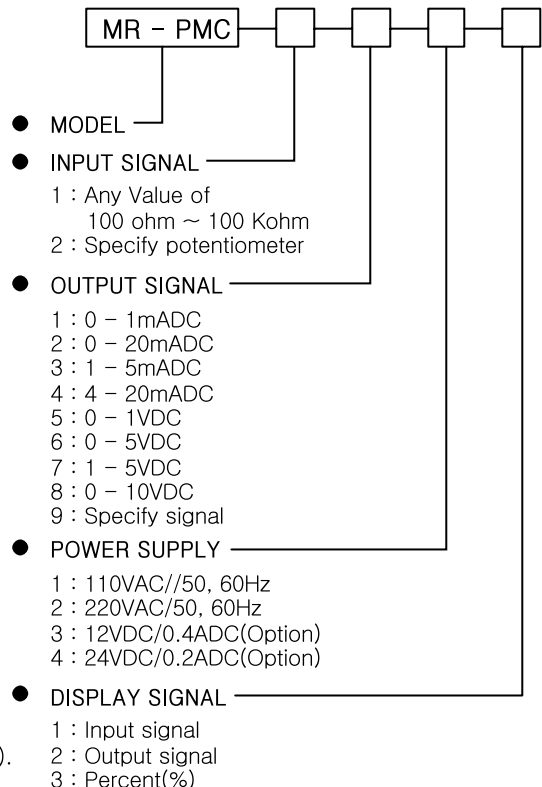
GENERAL SPECIFICATION

Operating ambient temperature : 0 - 50°C.
Non operating ambient temperature : -20 ~ 80°C.
Temperature coefficient : 0.015%/°C.
Operating ambient humidity : 90% RH max.(non condensing)
Insulation resistance : greater than 100Mohm with 500VDC.
Dielectric strength : 1500VAC @ 1minute (input to output to power).
Adjustment range : 20% (zero & span) min.
Conversion accuracy : 0.15% max.
Response time : 0 - 90%(0.5sec).
Burnout circuit : upscale(standard).

DISPLAY (OPTION)

Type : 3 digit FND
Display font : red super bright
Display function : input or output or percent(%).
Display error : 1digit(LSB).

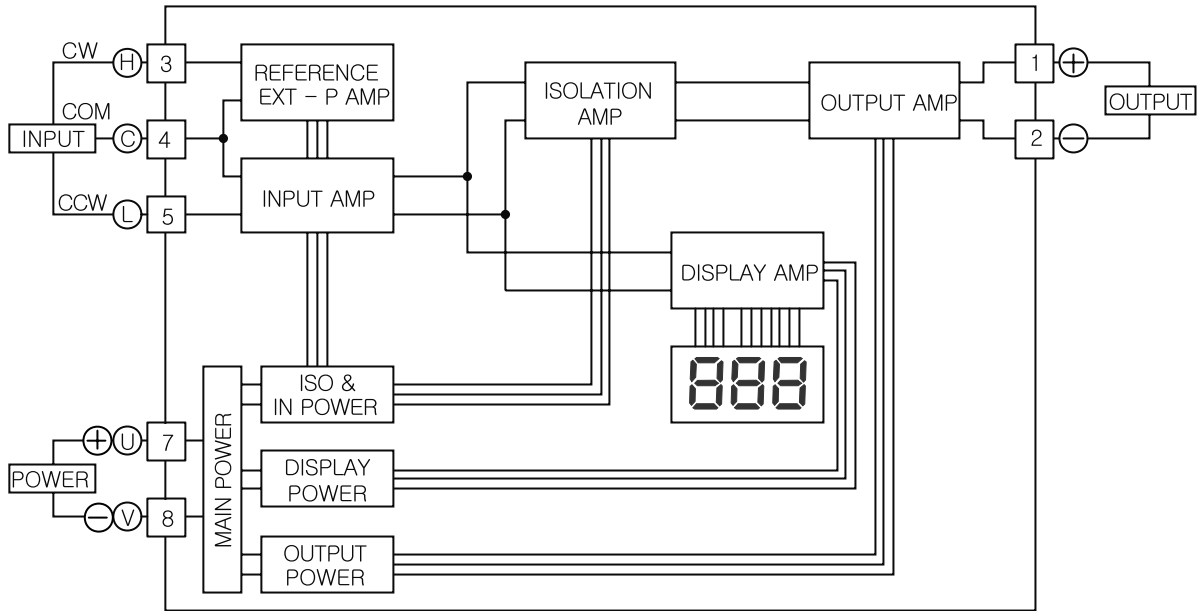
MODEL & SPECIFICATION CODE



DISPLAY & POTENTIOMETER ISOLATION CONVERTER

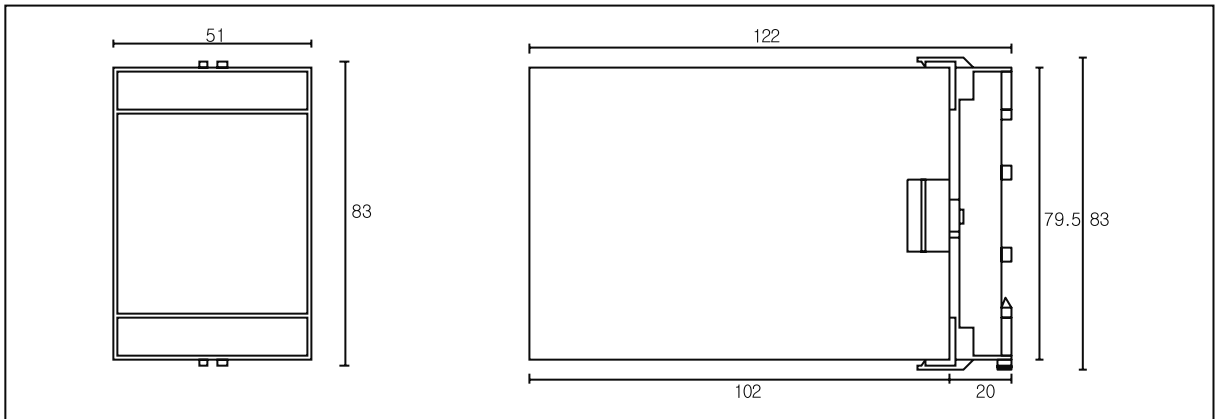
MODEL
MR - PMC

■ BLOCK DIAGRAM & PIN CONNECTION

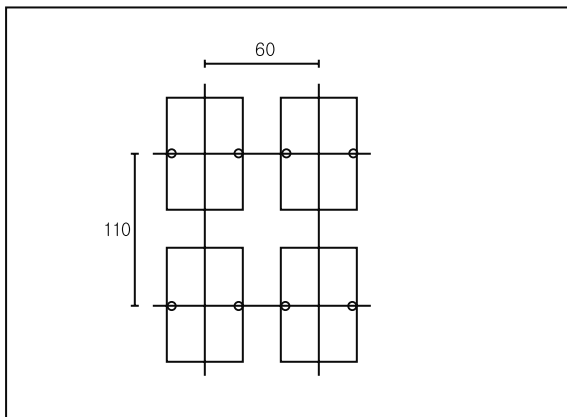


■ EXTERNAL DIMENSION, TERMINAL ARRANGEMENT & MOUNTING SPACE

DIMENSION'S (mm)



MOUNTING SPACE (mm)



SOCKET DIMENSION'S (mm) & TERMINAL ARRANGEMENT

