

**MODEL**  
MR - SBC

**DISPLAY & DC SUBTRACT ISOLATION CONVERTER**



This is a converter to output average subtracted values of both signals by using two types of DC signal as input signal source.

With built-in noise removal filter, transfers correct signal, and precision isolation circuits enable perfect signal transfer not affected by withstand insulation voltage, transfer speed, noise, etc.

본 변환기는 2종류의 직류신호를 입력원으로하여 두 신호의 감산된 평균값을 출력하는 변환기입니다. 정밀 ISOLATION 회로를 채용하여 절연내압, 전송속도, NOISE 등의 영향없는 완벽한 신호전달을 가능하게 합니다.

**FEATURES**

Small size(mm) : 83(H), 51(W), 102(D).  
 Isolation : input to output to power supply.  
 Power supply : AC or DC supply.  
 Wiring : terminal socket wiring.  
 Case & color : black ABS plastic case.  
 Weight : about 400g

**INPUT SIGNAL SPECIFICATION**

Input voltage signal(A or B) : -300 ~ 300VDC.  
 Input voltage impedance : 1Mohm min.  
 Input current signal(A or B) : 30mADC max.  
 Input current resistance : 100ohm max. (at 20mA)

**OUTPUT SIGNAL SPECIFICATION**

Output voltage signal : 12VDC max.  
 Output voltage impedance : 2Kohm min.  
 Output voltage noise : 10mV p-p max.  
 Output current signal : 30mADC max.  
 Output load resistance : 750ohm max.  
 Output current noise(250ohm load) : 10mV p-p.

OUTPUT	IMPEDANCE	OUTPUT	LOAD - R
0 - 1VDC	> 1Kohm	0 - 1mA	< 15Kohm
0 - 5VDC	> 2Kohm	0 - 20mA	< 750ohm
1 - 5VDC	> 2Kohm	1 - 5mA	< 3Kohm
0 - 10VDC	> 4Kohm	4 - 20mA	< 750ohm

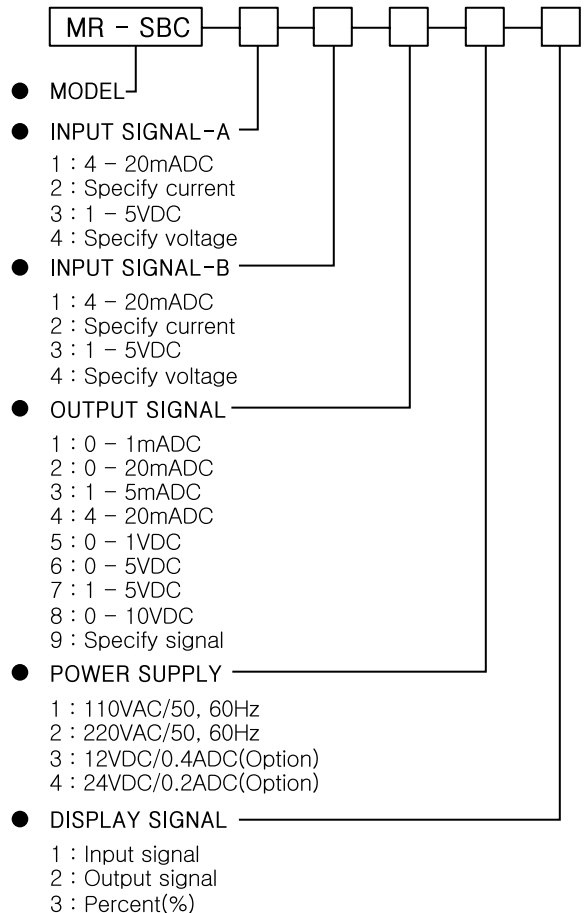
**GENERAL SPECIFICATION**

Operating ambient temperature : 0 - 50°C.  
 Non operating ambient temperature : -20 ~ 80°C.  
 Temperature coefficient : 0.015%/°C.  
 Operating ambient humidity : 90% RH max.(non condensing)  
 Insulation resistance : greater than 100Mohm with 500VDC.  
 Dielectric strength : 1500VAC @ 1minute  
 (input to output to power).  
 Adjustment range : 20% (zero & span) min.  
 Conversion accuracy : 0.15% max.  
 Response time : 0 - 90%(0.5sec).

**DISPLAY (OPTION)**

Type : 3 digit FND  
 Display font : red super bright  
 Display function : input or output or percent(%)  
 Display error : 1digit(LSB).

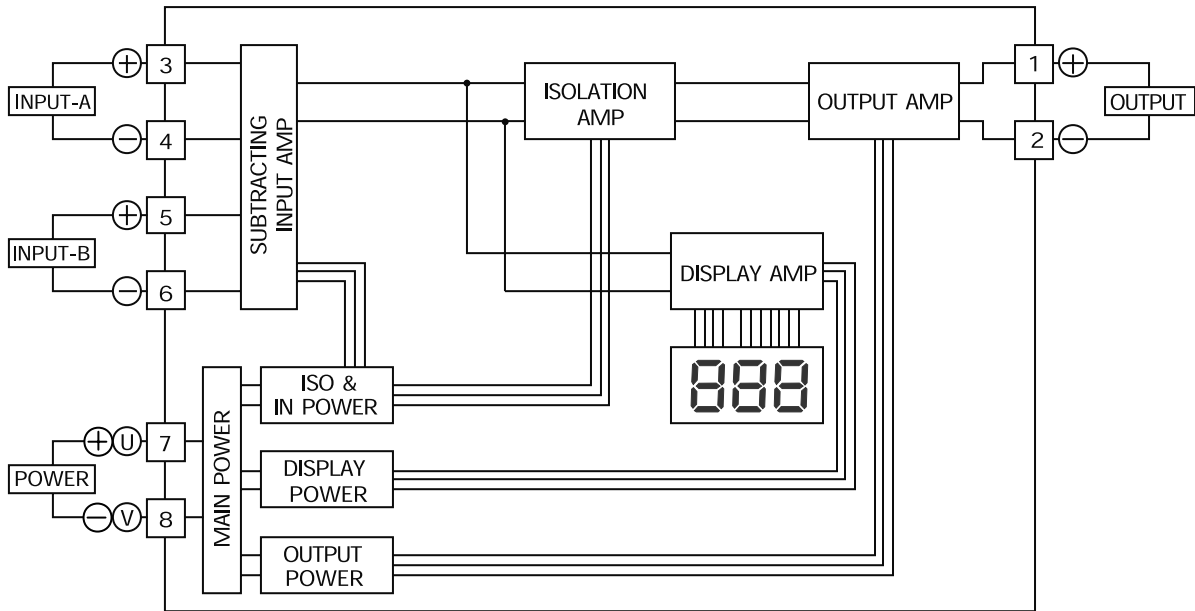
**MODEL & SPECIFICATION CODE**



# DISPLAY & DC SUBTRACT ISOLATION CONVERTER

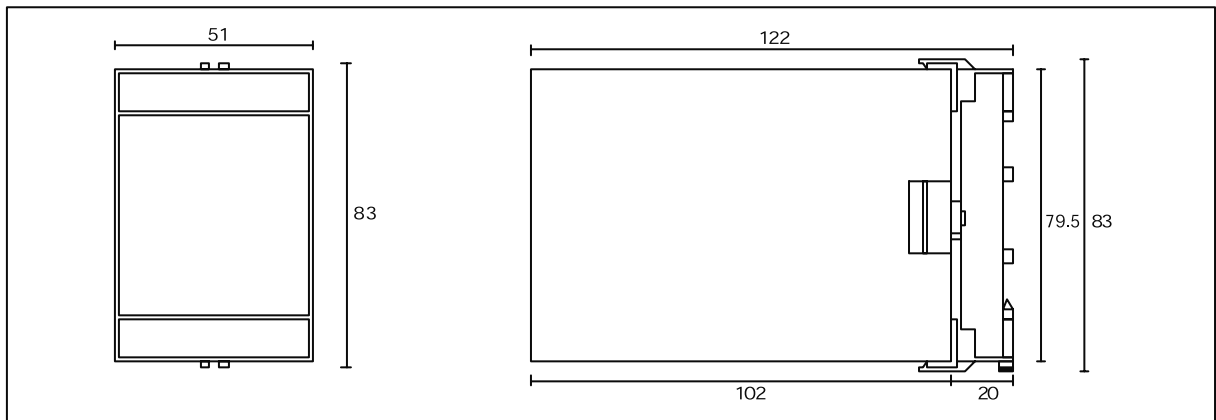
MODEL  
MR - SBC

## ■ BLOCK DIAGRAM & PIN CONNECTION

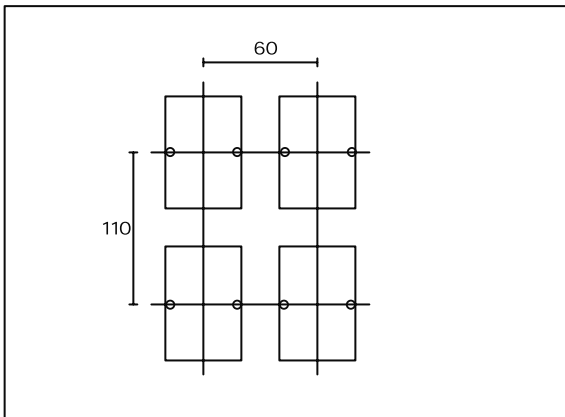


## ■ EXTERNAL DIMENSION, TERMINAL ARRANGEMENT & MOUNTING SPACE

DIMENSION'S (mm)



MOUNTING SPACE (mm)



SOCKET DIMENSION'S (mm) & TERMINAL ARRANGEMENT

