

| | |
|----------|--|
| MODEL | SAMPLE HOLD ISOLATION CONVERTER |
| MR - SHC | |



This is a converter used to arbitrarily stop or freely operate output signal converted by using DC signal as input source.

With built-in noise removal filter, transfers correct signal, and precision isolation circuits enable perfect signal transfer not affected by withstand insulation voltage, transfer speed, noise, etc.

본 변환기는 직류신호를 입력으로 하여 변환된 출력신호의 임의정지 또는 운전을 자유로이 하는 목적의 변환기입니다. 정밀 ISOLATION 회로를 채용하여 절연내압, 전송속도, NOISE 등의 영향없는 완벽한 신호전달을 가능하게 합니다.

FEATURES

- Small size(mm) : 83(H), 51(W), 102(D).
- Isolation : input to output to power supply.
- Power supply : AC or DC supply.
- Wiring : terminal socket wiring.
- Case & color : black ABS plastic case.
- Weight : about 400g

INPUT SIGNAL SPECIFICATION

- Input voltage signal : -300 ~ 300VDC.
- Input voltage resistance : 1Mohm min.
- Input current signal : 30mADC max.
- Input current load resistance : 100ohm max. (at 20mA)
- Holding input type : dry contact.

OUTPUT SIGNAL SPECIFICATION

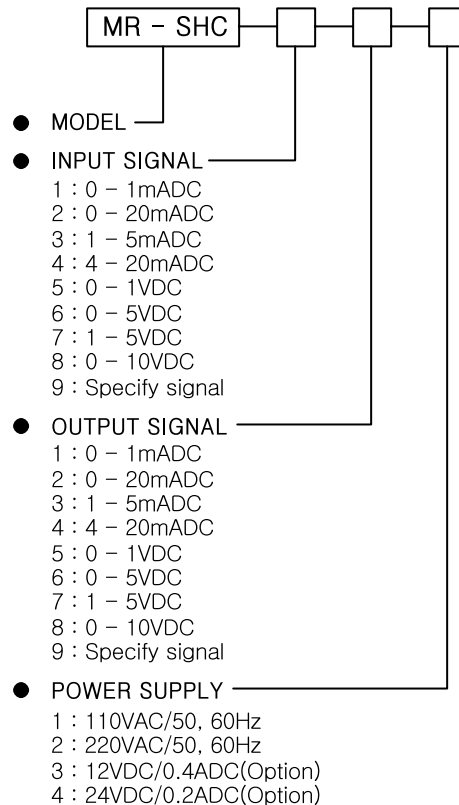
- Output voltage signal : 12VDC max.
- Output voltage impedance : 2Kohm min.
- Output voltage noise : 10mV p-p max.
- Output current signal : 30mADC max.
- Output load resistance : 750ohm max.
- Output current noise(250ohm load) : 10mV p-p.

| OUTPUT | IMPEDANCE | OUTPUT | LOAD - R |
|-----------|-----------|----------|----------|
| 0 - 1VDC | > 1Kohm | 0 - 1mA | < 15Kohm |
| 0 - 5VDC | > 2Kohm | 0 - 20mA | < 750ohm |
| 1 - 5VDC | > 2Kohm | 1 - 5mA | < 3Kohm |
| 0 - 10VDC | > 4Kohm | 4 - 20mA | < 750ohm |

GENERAL SPECIFICATION

- Operating ambient temperature : 0 - 50°C.
- Non operating ambient temperature : -20 ~ 80°C.
- Temperature coefficient : 0.015%/°C.
- Operating ambient humidity : 90% RH max.(non condensing)
- Insulation resistance : greater than 100Mohm with 500VDC.
- Dielectric strength : 1500VAC @ 1minute (input to output to power).
- Adjustment range : 20% (zero & span) min.
- Conversion accuracy : 0.15% max.
- Response time : 0 - 90%(0.5sec).
- Holding error : 0.5% max.

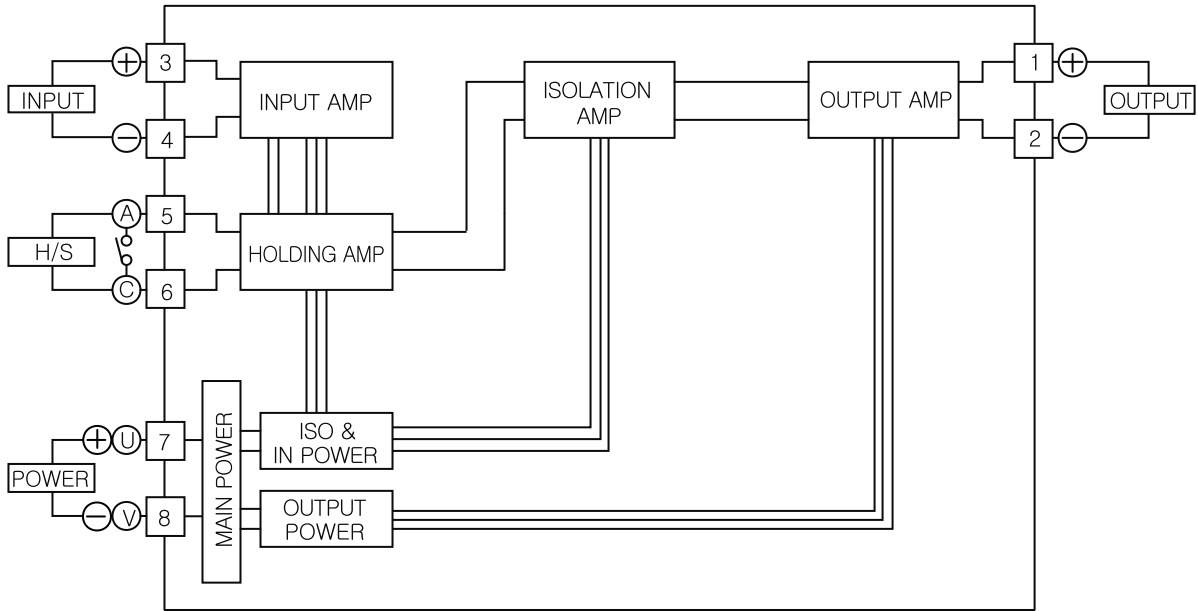
MODEL & SPECIFICATION CODE



SAMPLE HOLD ISOLATION CONVERTER

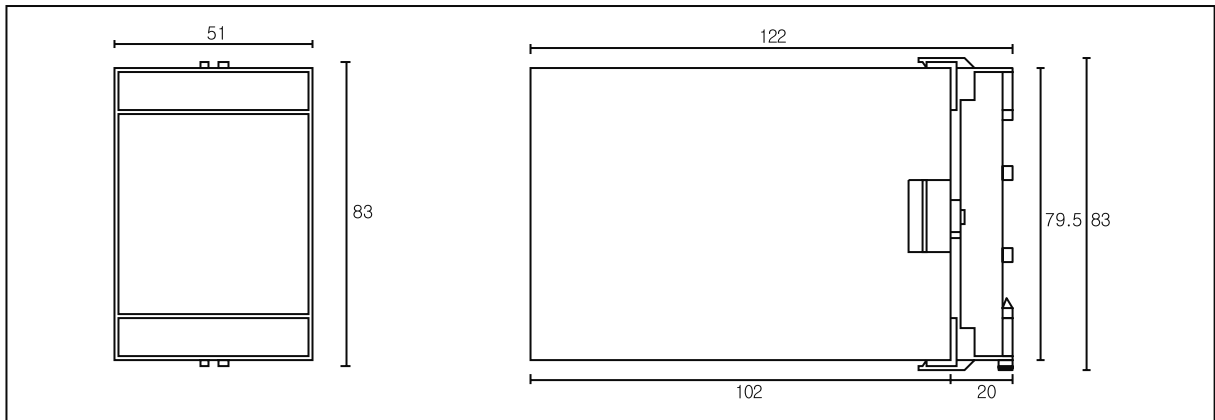
MODEL
MR - SHC

BLOCK DIAGRAM & PIN CONNECTION

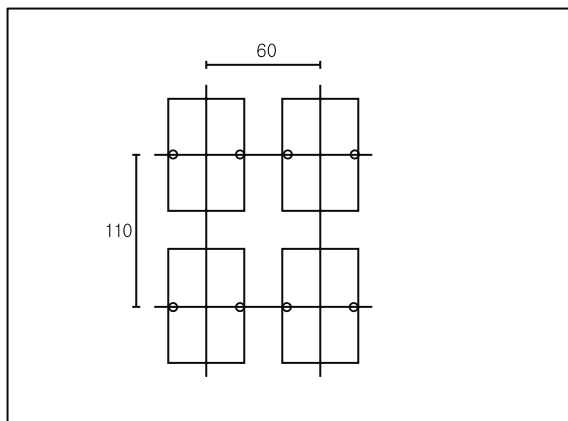


EXTERNAL DIMENSION, TERMINAL ARRANGEMENT & MOUNTING SPACE

DIMENSION'S (mm)



MOUNTING SPACE (mm)



SOCKET DIMENSION'S (mm) & TERMINAL ARRANGEMENT

