

MODEL	<b>PEAK HOLD ISOLATION CONVERTER</b>
MR - PHC	



This is a converter to stop output by that the convert itself determines highest values of converted input signals.

With built-in noise removal filter, transfers correct signal, and precision isolation circuits enable perfect signal transfer not affected by withstand insulation voltage, transfer speed, noise, etc.

본 변환기는 변환되는 입력 신호 중 가장 높은값을 변환기 스스로 판단하여 출력을 정지시키는 변환기입니다. 정밀 ISOLATION 회로를 채용하여 절연내압, 전송속도, NOISE 등의 영향없는 완벽한 신호전달을 가능하게 합니다.

## ■ FEATURES

Small size(mm) : 83(H), 51(W), 102(D).  
 Isolation : input to output to power supply.  
 Power supply : AC or DC supply.  
 Wiring : terminal socket wiring.  
 Case & color : black ABS plastic case.  
 Weight : about 400g

## ■ INPUT SIGNAL SPECIFICATION

Input voltage signal : -300 ~ 300VDC.  
 Input voltage resistance : 1Mohm min.  
 Input current signal : 30mADC max.  
 Input current load resistance : 100ohm max. (at 20mA)  
 Reset input type : dry contact.

## ■ OUTPUT SIGNAL SPECIFICATION

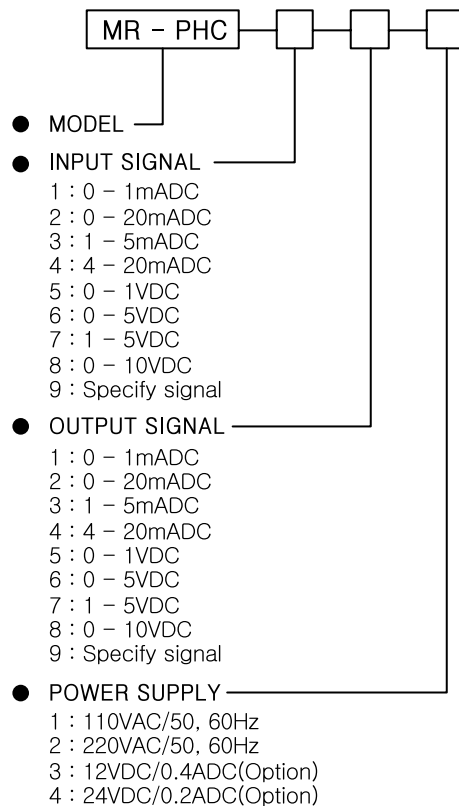
Output voltage signal : 12VDC max.  
 Output voltage impedance : 2Kohm min.  
 Output voltage noise : 10mV p-p max.  
 Output current signal : 30mADC max.  
 Output load resistance : 750ohm max.  
 Output current noise(250ohm load) : 10mV p-p.

OUTPUT	IMPEDANCE	OUTPUT	LOAD - R
0 - 1VDC	> 1Kohm	0 - 1mA	< 15Kohm
0 - 5VDC	> 2Kohm	0 - 20mA	< 750ohm
1 - 5VDC	> 2Kohm	1 - 5mA	< 3Kohm
0 - 10VDC	> 4Kohm	4 - 20mA	< 750ohm

## ■ GENERAL SPECIFICATION

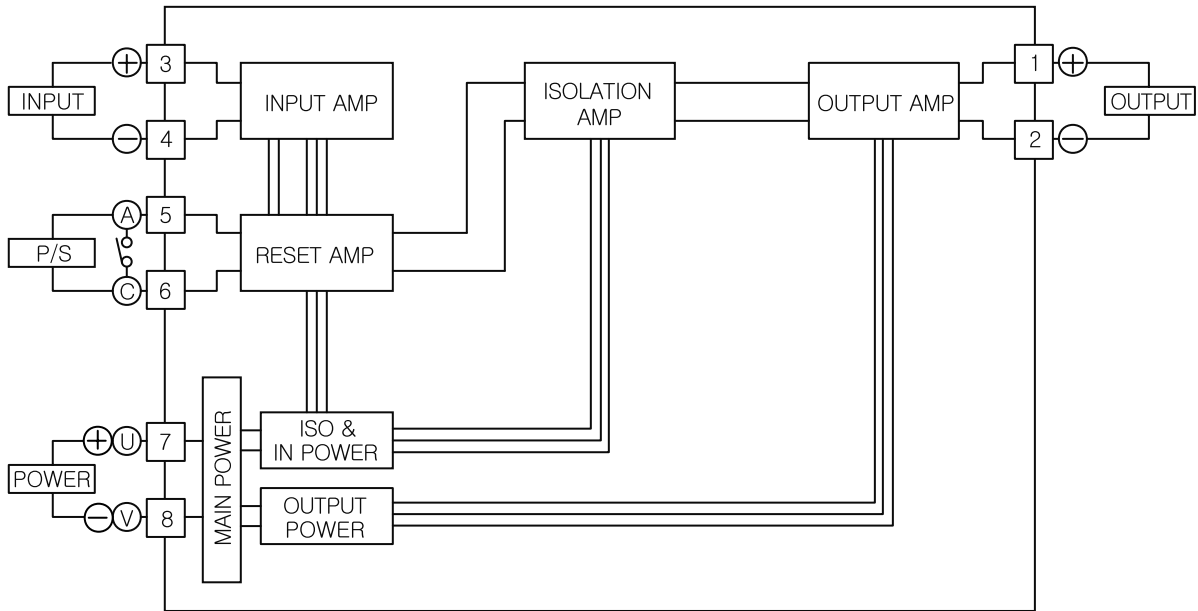
Operating ambient temperature : 0 - 50°C.  
 Non operating ambient temperature : -20 ~ 80°C.  
 Temperature coefficient : 0.015%/°C.  
 Operating ambient humidity : 90% RH max.(non condensing)  
 Insulation resistance : greater than 100Mohm with 500VDC.  
 Dielectric strength : 1500VAC @ 1minute (input to output to power).  
 Adjustment range : 20% (zero & span) min.  
 Conversion accuracy : 0.15% max.  
 Response time : 0 - 90%(0.5sec).  
 Holding error : 0.5% max.

## ■ MODEL & SPECIFICATION CODE



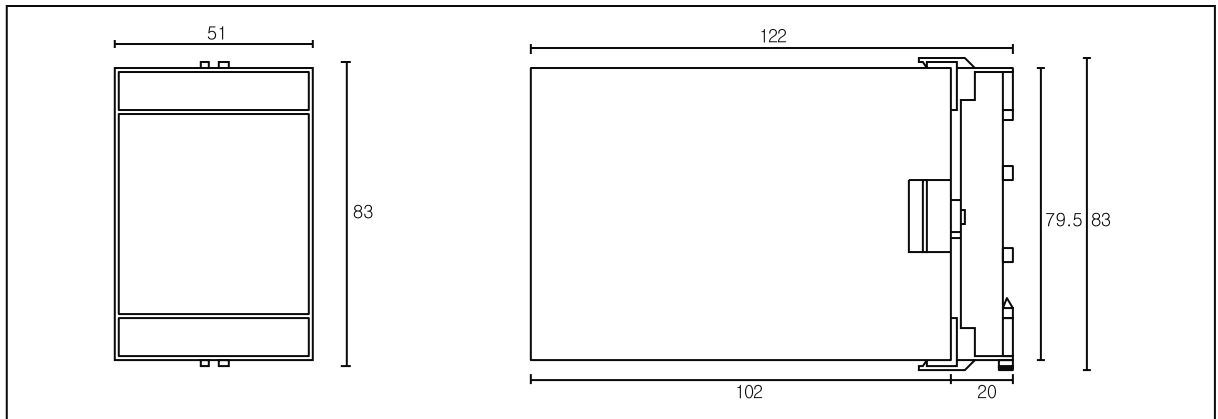
<b>PEAK HOLD ISOLATION CONVERTER</b>	<b>MODEL</b> MR - PHC
--------------------------------------	--------------------------

■ BLOCK DIAGRAM & PIN CONNECTION

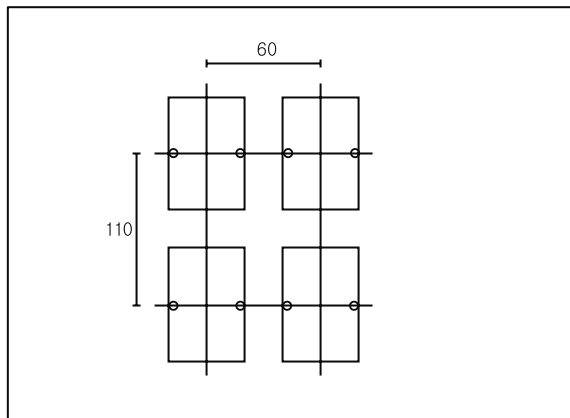


■ EXTERNAL DIMENSION, TERMINAL ARRANGEMENT & MOUNTING SPACE

DIMENSION'S (mm)



MOUNTING SPACE (mm)



SOCKET DIMENSION'S (mm) & TERMINAL ARRANGEMENT

