

MODEL  
MR - FDC

## FREQUENCY TO DC SIGNAL ISOLATION CONVERTER



This is a converter to convert various types of frequency signal to DC signal. With filter circuits to remove signal noise, the MR-FDC executes correct signal transfer and is applied to a device to output pulse such volume, position control.

본 변환기는 여러 종류의 주파수 신호를 직류신호로 변환하는 변환기입니다.

신호잡음을 제거하기위한 FILTER회로를 내장하여 정확한 신호 전달을 하며, 유량위치제어등의 PULSE 출력기기에 적용됩니다.

### FEATURES

Small size(mm) : 83(H), 51(W), 102(D).  
Isolation : input to output to power supply.  
Power supply : AC or DC supply.  
Wiring : terminal socket wiring.  
Case & color : black ABS plastic case.  
Weight : about 400g

### INPUT SIGNAL SPECIFICATION

Input signal : frequency(pulse)  
Input type : voltage pulse, current pulse,  
open collector pulse, dry contact pulse.  
Input range : 10KHz max.  
EXT Power : 12VDC max.

### OUTPUT SIGNAL SPECIFICATION

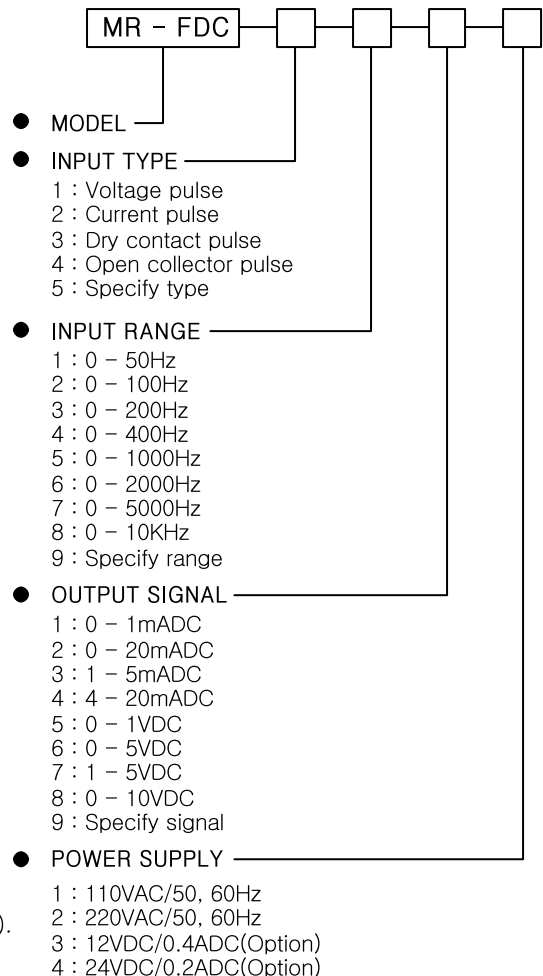
Output voltage signal : 12VDC max.  
Output voltage impedance : 2Kohm min.  
Output voltage noise : 10mV p-p max.  
Output current signal : 30mADC max.  
Output load resistance : 750ohm max.  
Output current noise(250ohm load) : 10mV p-p.

OUTPUT	IMPEDANCE	OUTPUT	LOAD - R
0 - 1VDC	> 1Kohm	0 - 1mA	< 15Kohm
0 - 5VDC	> 2Kohm	0 - 20mA	< 750ohm
1 - 5VDC	> 2Kohm	1 - 5mA	< 3Kohm
0 - 10VDC	> 4Kohm	4 - 20mA	< 750ohm

### GENERAL SPECIFICATION

Operating ambient temperature : 0 - 50°C.  
Non operating ambient temperature : -20 ~ 80°C.  
Temperature coefficient : 0.015%/°C.  
Operating ambient humidity : 90% RH max.(non condensing)  
Insulation resistance : greater than 100Mohm with 500VDC.  
Dielectric strength : 1500VAC @ 1minute (input to output to power).  
Adjustment range : 20% (zero & span) min.  
Conversion accuracy : 0.15% max.  
Response time : 0 - 90%(0.5sec).  
Linearity : 0.2% max.

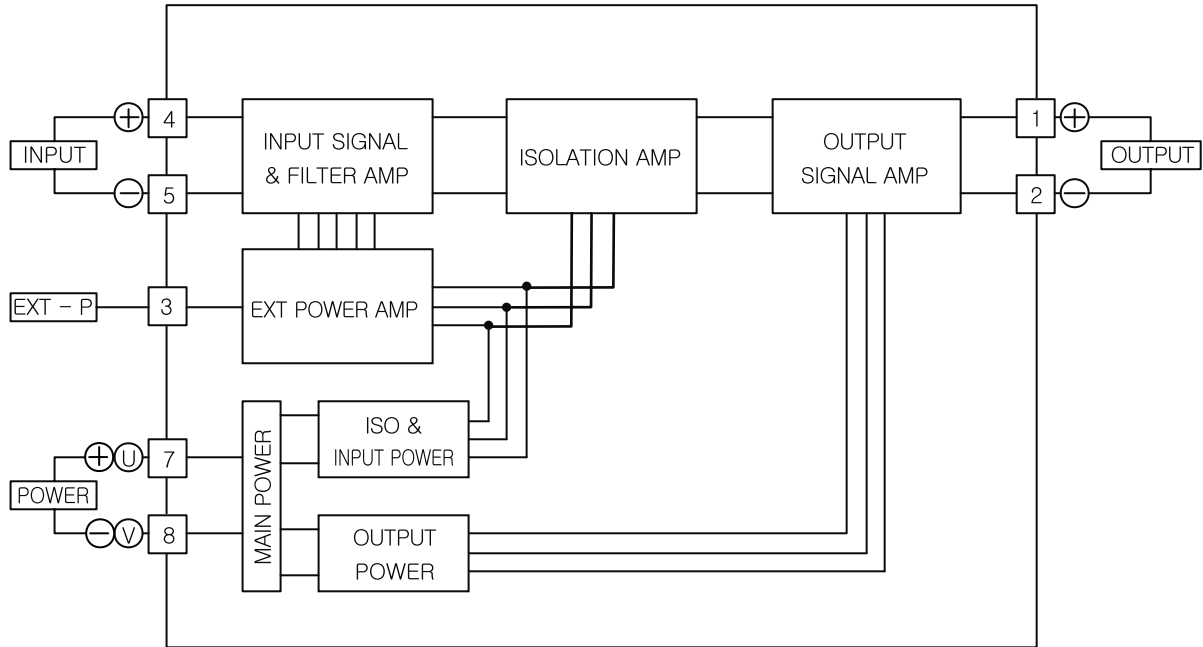
### MODEL & SPECIFICATION CODE



# FREQUENCY TO DC SIGNAL ISOLATION CONVERTER

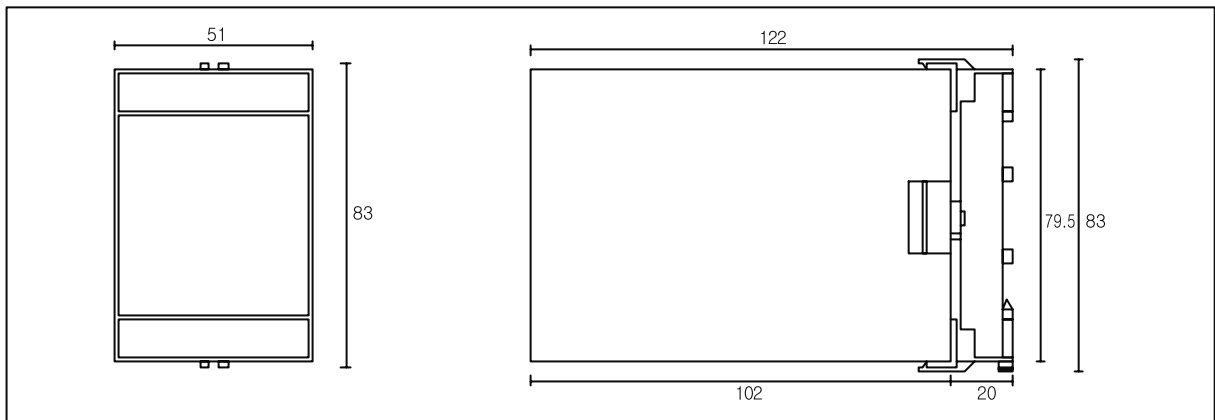
MODEL  
MR - FDC

## ■ BLOCK DIAGRAM & PIN CONNECTION

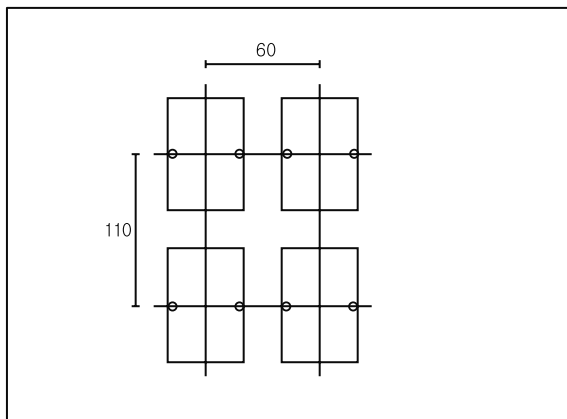


## ■ EXTERNAL DIMENSION, TERMINAL ARRANGEMENT & MOUNTING SPACE

DIMENSION'S (mm)



MOUNTING SPACE (mm)



SOCKET DIMENSION'S (mm) & TERMINAL ARRANGEMENT

