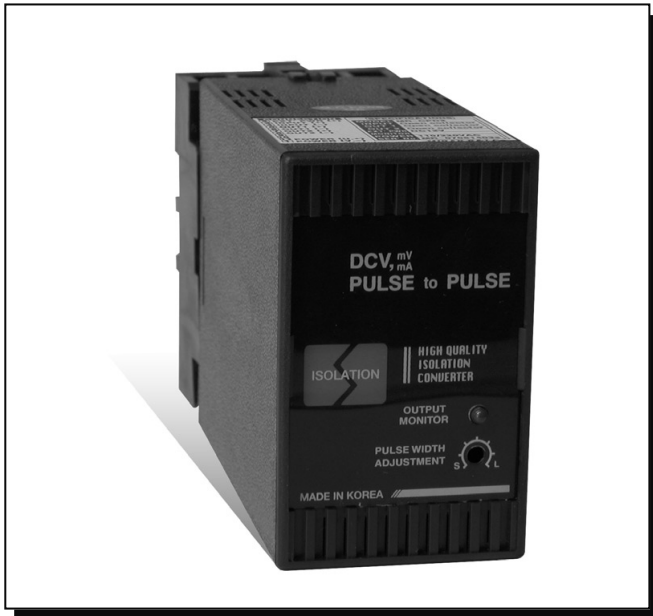


<b>MODEL</b>	<b>PULSE TO PULSE DISTRIBUTION CONVERTER</b>
MR - CPD	



This is a converter to output pulse signals in proportion to inputs by using pulse signals as input signal source.

본 변환기는 펄스(PULSE)신호를 입력원으로하여, 입력에 비례한 펄스 신호를 출력하는 변환기 입니다.

## FEATURES

Small size(mm) : 83(H), 51(W), 102(D).  
 Isolation : input to output to power supply.  
 Power supply : AC or DC supply.  
 Wiring : terminal socket wiring.  
 Case & color : black ABS plastic case.  
 Weight : about 400g

## INPUT SIGNAL SPECIFICATION

Input signal : pulse.  
 Input type : voltage pulse, current pulse  
 dry contact pulse, open collector pulse.  
 Input range : 5000Hz max.

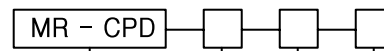
## OUTPUT SIGNAL SPECIFICATION

Output signal : pulse.  
 Output type : voltage pulse, current pulse  
 dry contact pulse, open collector pulse.  
 Output range : 5000Hz max.

## GENERAL SPECIFICATION

Operating ambient temperature : 0 - 50°C.  
 Non operating ambient temperature : -20 ~ 80°C.  
 Temperature coefficient : 0.015%/°C.  
 Operating ambient humidity : 90% RH max.(non condensing)  
 Insulation resistance : greater than 100Mohm with 500VDC.  
 Dielectric strength : 1500VAC @ 1minute (input to output to power).  
 Adjustment range : 20%(zero & span) min.  
 Conversion accuracy : 0.15% max.  
 Response time : 0 - 90%(0.5sec).

## MODEL & SPECIFICATION CODE

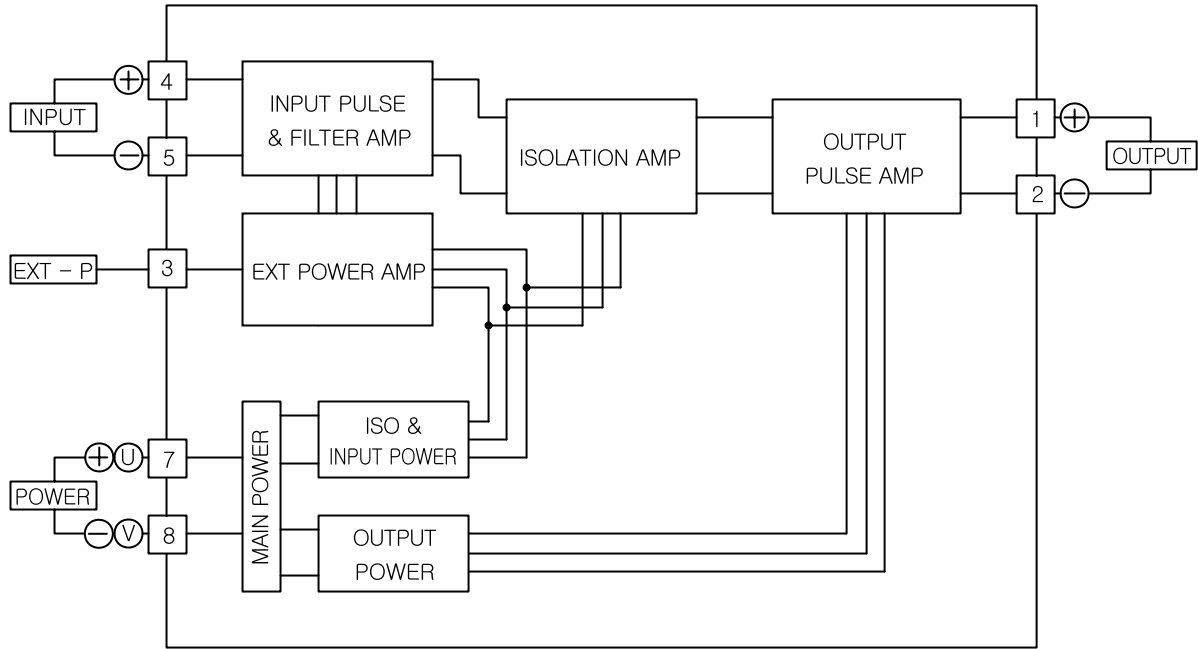


- MODEL
- INPUT TYPE
  - 1 : Voltage pulse
  - 2 : Current pulse
  - 3 : Dry contact pulse
  - 4 : Open collector pulse
  - 5 : Specify type
- OUTPUT TYPE
  - 1 : Voltage pulse
  - 2 : Current pulse
  - 3 : Dry contact pulse
  - 4 : Open collector pulse
  - 5 : Specify type
- POWER SUPPLY
  - 1 : 110VAC/50, 60Hz
  - 2 : 220VAC/50, 60Hz
  - 3 : 12VDC/0.4ADC(Optional)
  - 4 : 24VDC/0.2ADC(Optional)

# PULSE TO PULSE DISTRIBUTION CONVERTER

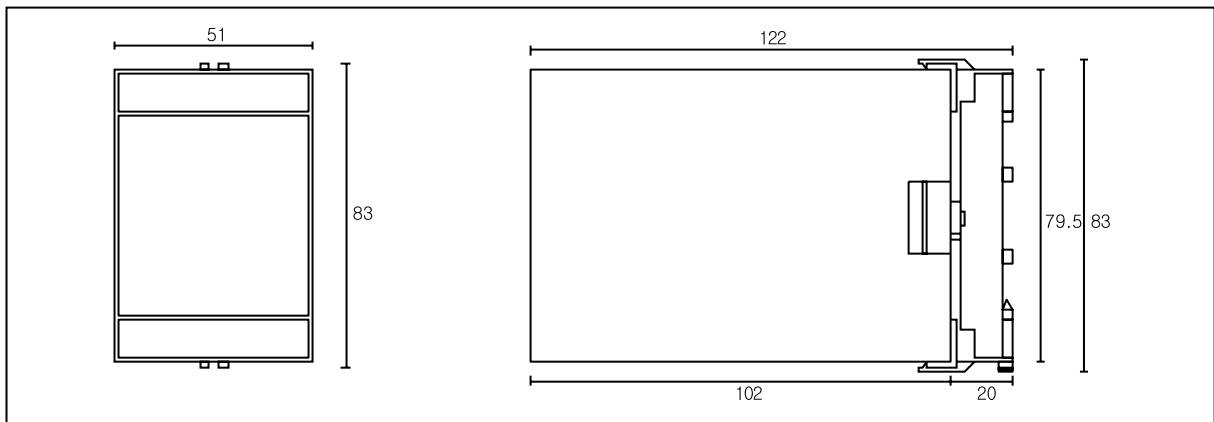
MODEL  
MR - CPD

## ■ BLOCK DIAGRAM & PIN CONNECTION

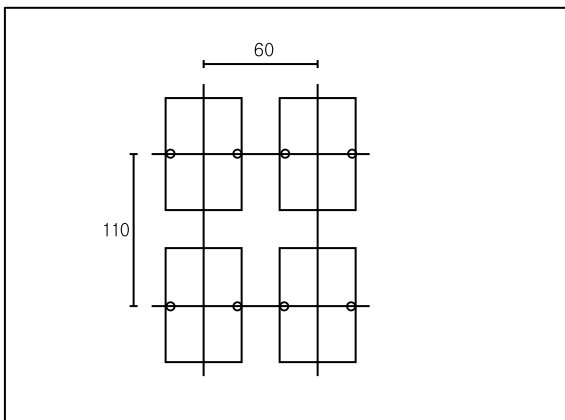


## ■ EXTERNAL DIMENSION, TERMINAL ARRANGEMENT & MOUNTING SPACE

DIMENSION'S (mm)



MOUNTING SPACE (mm)



SOCKET DIMENSION'S (mm) & TERMINAL ARRANGEMENT

