

MODEL	MULTIPLIER ISOLATION CONVERTER
MR - MPC	



This is a converter to output average values multiplied by two signals by using two DC signals as input signal source.

With built-in noise removal filter, transfers correct signal, and precision isolation circuits enable perfect signal transfer not affected by withstand insulation voltage, transfer speed, noise, etc.

본 변환기는 2종류의 직류 신호를 입력원으로 하여 두신호의 곱하여진 평균값을 출력하는 변환기입니다. 고정밀 절연회로를 채용하여 절연내압, 전송속도, 주변잡음 등의 영향 없는 완벽한 신호 전달을 가능하게 합니다.

FEATURES

- Small size(mm) : 83(H), 51(W), 102(D).
- Isolation : input to output to power supply.
- Power supply : AC or DC supply.
- Wiring : terminal socket wiring.
- Case & color : black ABS plastic case.
- Weight : about 400g

INPUT SIGNAL SPECIFICATION

- Input voltage signal (A or B) : -300 ~ 300VDC
- Input voltage impedance : 1Mohm min.
- Input current signal (A or B) : 30mADC max.
- Input current resistance : 100ohm max.(at 20mA)

OUTPUT SIGNAL SPECIFICATION

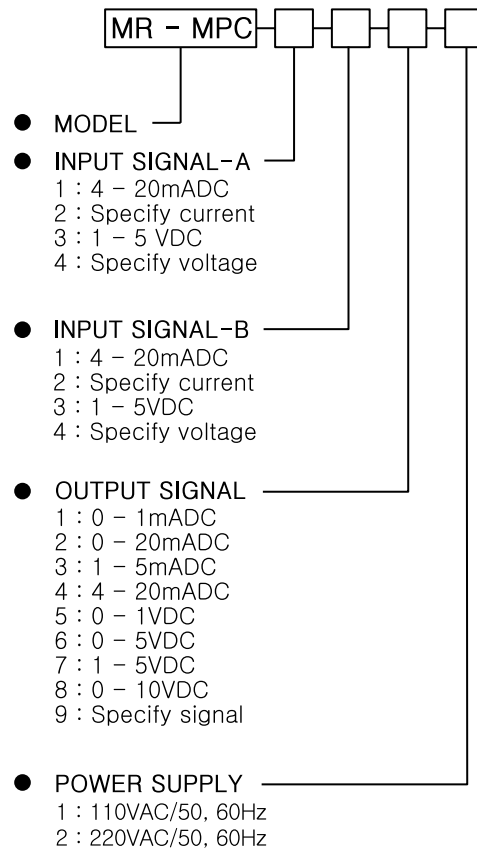
- Output voltage signal : 12VDC max.
- Output voltage impedance : 2Kohm min.
- Output voltage noise : 10mV p-p max.
- Output current signal : 30mADC max.
- Output load resistance : 750ohm max.
- Output current noise(250ohm load) : 10mV p-p

OUTPUT	IMPEDANCE	OUTPUT	LOAD-R
0 - 1VDC	> 1Kohm	0 - 1mA	< 15Kohm
0 - 5VDC	> 2Kohm	0-20mA	< 750ohm
1 - 5VDC	> 2Kohm	1 - 5mA	< 3Kohm
0-10VDC	> 4Kohm	4-20mA	< 750ohm

GENERAL SPECIFICATION

- Operating ambient temperature : 0 - 50°C.
- Non operating ambient temperature : -20 ~ 80°C.
- Temperature coefficient : 0.015%/°C.
- Operating ambient humidity : 90% RH max.(non condensing)
- Insulation resistance : greater than 100Mohm with 500VDC.
- Dielectric strength : 1500VAC @ 1minute (input to output to power).
- Adjustment range : 20% (zero & span) min.
- Conversion accuracy : 0.15% max.
- Response time : 0 - 90%(0.5sec).

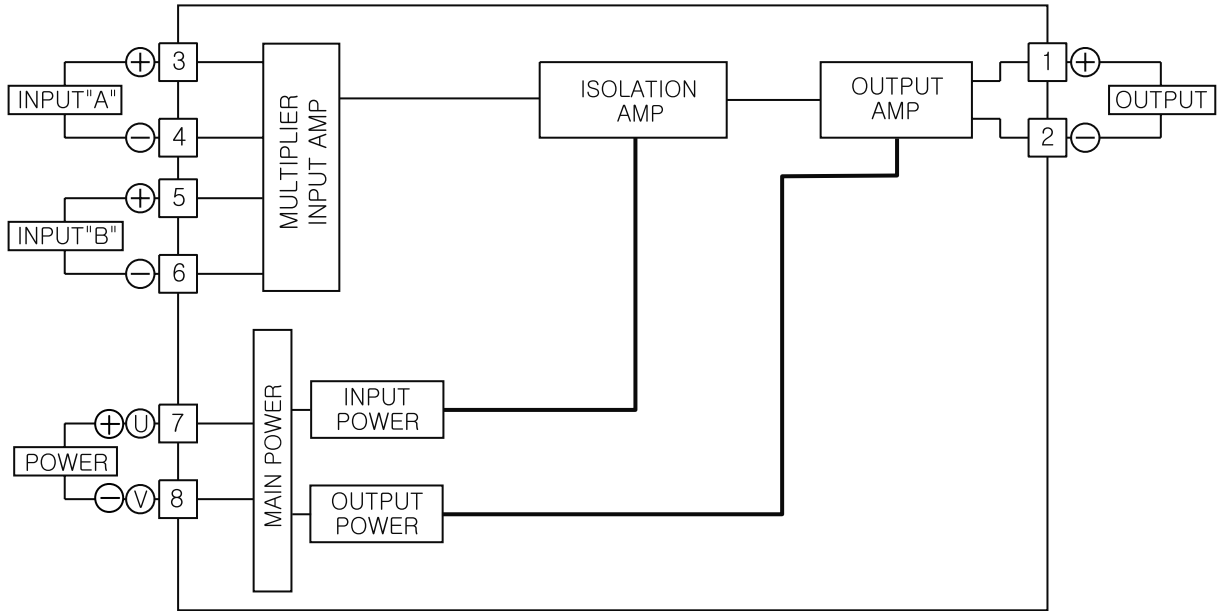
MODEL & SPECIFICATION CODE



MULTIPLIER ISOLATION CONVERTER

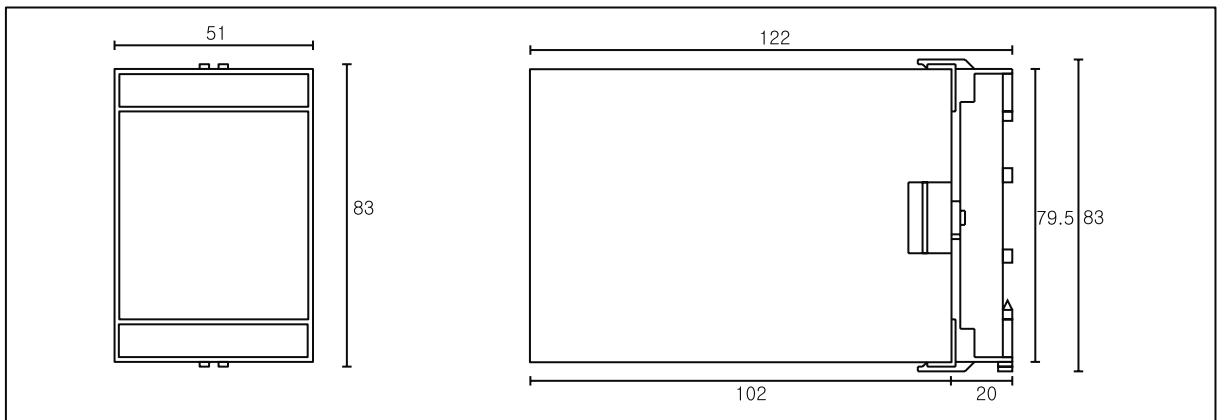
MODEL
MR - MPC

■ BLOCK DIAGRAM & PIN CONNECTION

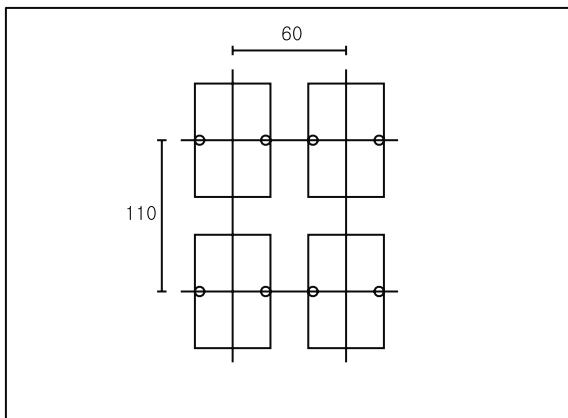


■ EXTERNAL DIMENSION, TERMINAL ARRANGEMENT & MOUNTING SPACE

DIMENSION'S (mm)



MOUNTING SPACE (mm)



SOCKET DIMENSION'S (mm) & TERMINAL ARRANGEMENT

