

MODEL	<b>HIGH SPEED ISOLATION CONVERTER</b>
MR-ISO-H	



This is a high speed of converter used for transmitting or converting DC signal.

With built-in noise removal filter, transfers correct signal, and precision isolation circuits enable perfect signal transfer not affected by withstand insulation voltage, transfer speed, noise, etc.

본 변환기는 직류신호를 빠르게 전송 또는 변환하기 위한 목적으로 사용되는 고속형 변환기입니다. NOISE 제거 FILTER를 내장하여 정확한 신호전송을 하며, 정밀 ISOLATION 회로는 절연내압, 속도, NOISE등의 영향없는 완벽한 신호전달을 가능하게 합니다.

## FEATURES

- Small size(mm) : 83(H), 51(W), 102(D).
- Isolation : input to output to power supply.
- Power supply : AC or DC supply.
- Wiring : terminal socket wiring.
- Case & color : black ABS plastic case.
- Weight : about 400g

## INPUT SIGNAL SPECIFICATION

- Input voltage signal : -300 ~ 300 VDC.
- Input voltage impedance : 1Mohm min.
- Input current signal : 30mADC max.
- Input current load resistance : 100ohm max.(at 20mA)

## OUTPUT SIGNAL SPECIFICATION

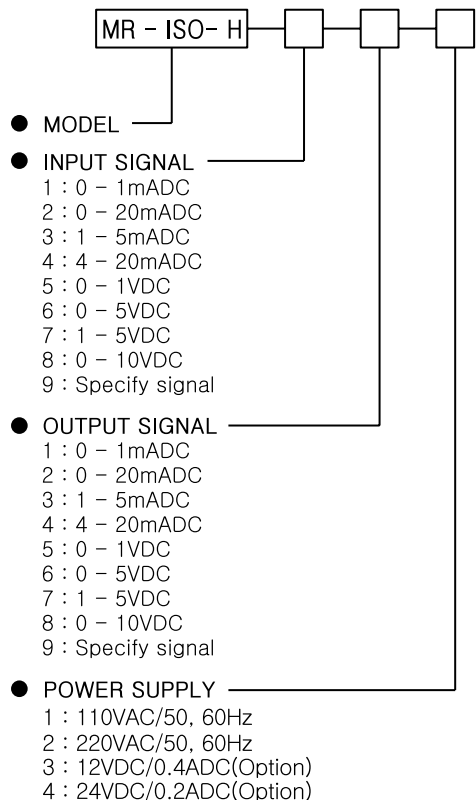
- Output voltage signal : 12VDC max.
- Output voltage impedance : 2Kohm min.
- Output voltage noise : 10mV p-p max.
- Output current signal : 30mADC max.
- Output load resistance : 750ohm max.
- Output current noise(250ohm load) : 10mV p-p.

OUTPUT	IMPEDANCE	OUTPUT	LOAD - R
0 - 1VDC	> 1Kohm	0 - 1mA	< 15Kohm
0 - 5VDC	> 2Kohm	0 - 20mA	< 750ohm
1 - 5VDC	> 2Kohm	1 - 5mA	< 3Kohm
0 - 10VDC	> 4Kohm	4 - 20mA	< 750ohm

## GENERAL SPECIFICATION

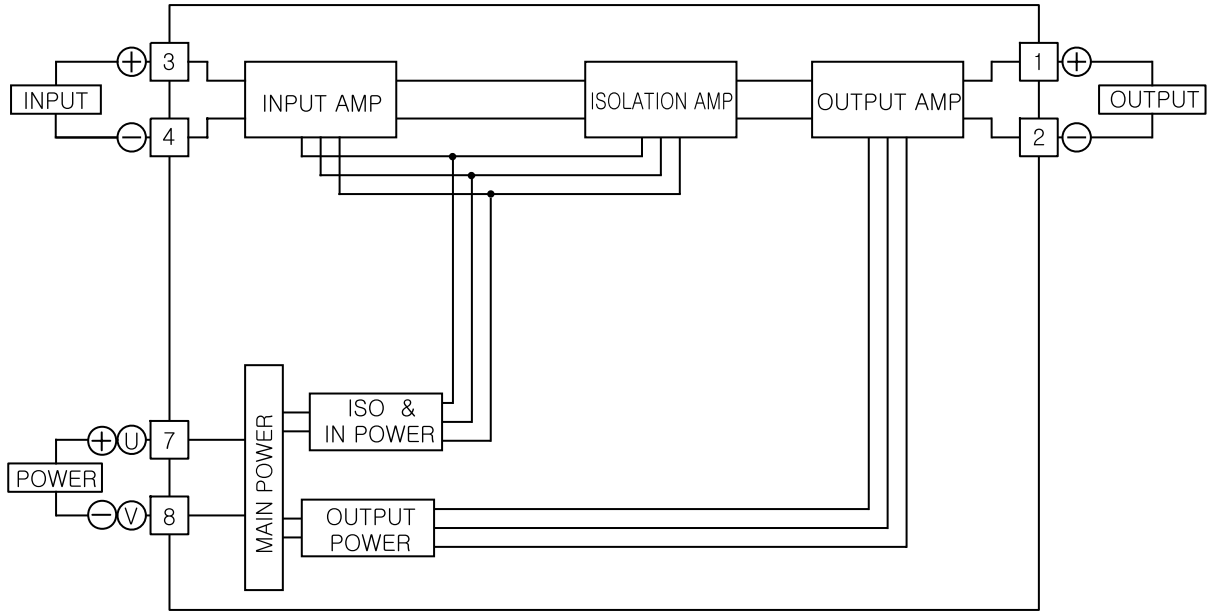
- Operating ambient temperature : 0 - 50°C.
- Non operating ambient temperature : -20 ~ 80°C.
- Temperature coefficient : 0.015%/°C.
- Operating ambient humidity : 90% RH max.(non condensing)
- Insulation resistance : greater than 100Mohm with 500VDC.
- Dielectric strength : 1500VAC @ 1minute (input/output/power).
- Adjustment range : 20% (zero & span) min.
- Conversion accuracy : 0.2% max.
- Response time : 0 - 90%(1mS).

## MODEL & SPECIFICATION CODE



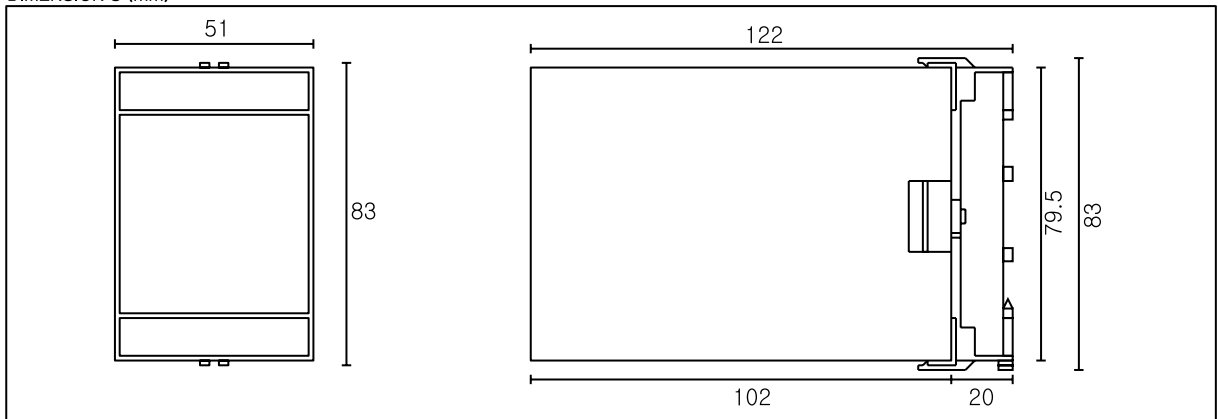
<b>HIGH SPEED ISOLATION CONVERTER</b>	<b>MODEL</b> MR-ISO-H
---------------------------------------	--------------------------

■ BLOCK DIAGRAM & PIN CONNECTION

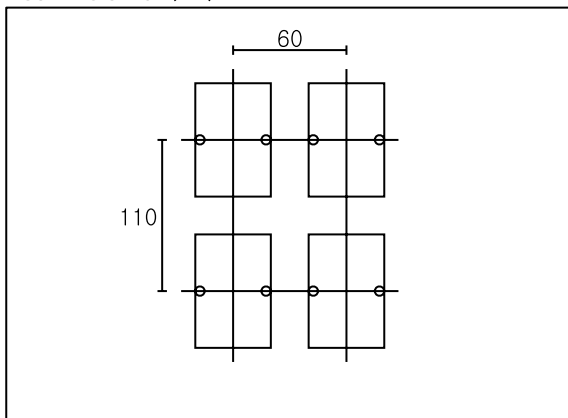


■ EXTERNAL DIMENSION, TERMINAL ARRANGEMENT & MOUNTING SPACE

DIMENSION'S (mm)



MOUNTING SPACE (mm)



SOCKET DIMENSION'S (mm) & TERMINAL ARRANGEMENT

