

**MODEL**  
MR - PDC2 **DISPLAY & POWER DISTRIBUTOR 2OUT CONVERTER**



This is a converter used to supply power all types of transmitter used at the site and to output insulated signal by receiving the signal. With built-in noise removal filter, transfers correct signal, and precision isolation circuits enable perfect signal transfer not affected by withstand insulation voltage, transfer speed, noise, etc.

본 변환기는 현장에 사용되는 각종 TRANSMITTER에 전원을 공급하며, 그신호를 받아 절연된신호를 출력하는 목적으로 사용되는 변환기입니다.

NOISE제거 FILTER를 내장하여 정확한 신호전송을 하며, 정밀 ISOLATION회로는 절연내압, 속도, NOISE등의 영향없는 완벽한 신호전달을 가능하게 합니다.

**FEATURES**

- Small size(mm) : 83(H), 51(W), 102(D).
- Isolation : input to output to power supply.
- Power supply : AC or DC supply.
- Wiring : terminal socket wiring.
- Case & color : black ABS plastic case.
- Weight : about 400g

**INPUT SIGNAL SPECIFICATION**

- Input current signal : 30mADC max.
- Input current load resistance : 100ohm max.(at 20mA)
- External power source : DC22~26V / 30mA Max.

**OUTPUT SIGNAL SPECIFICATION**

- Output voltage signal : 12VDC max.
- Output voltage impedance : 2Kohm min.
- Output voltage noise : 10mV p-p max.
- Output current signal : 30mADC max.
- Output load resistance : 750ohm max.
- Output current noise(250ohm load) : 10mV p-p.

OUTPUT	IMPEDANCE	OUTPUT	LOAD - R
0 - 1VDC	> 1Kohm	0 - 1mA	< 15Kohm
0 - 5VDC	> 2Kohm	0 - 20mA	< 750ohm
1 - 5VDC	> 2Kohm	1 - 5mA	< 3Kohm
0 - 10VDC	> 4Kohm	4 - 20mA	< 750ohm

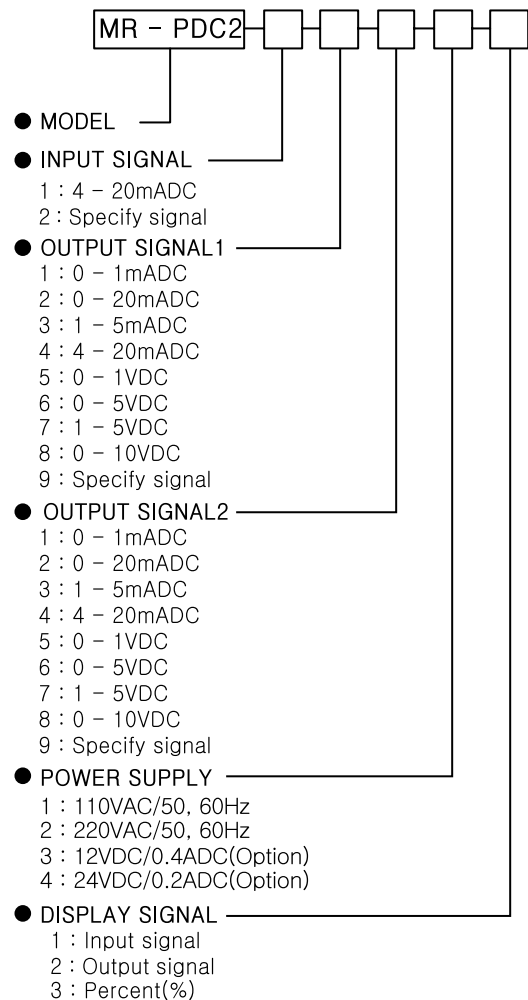
**GENERAL SPECIFICATION**

- Operating ambient temperature : 0 - 50'C.
- Non operating ambient temperature : -20 ~ 80'C.
- Temperature coefficient : 0.015%/C.
- Operating ambient humidity : 90% RH max.(non condensing)
- Insulation resistance : greater than 100Mohm with 500VDC.
- Dielectric strength : 1500VAC @1minute(input/out1/out2/power).
- Adjustment range : 20% (zero & span) min.
- Conversion accuracy : 0.15% max.
- Response time : 0 - 90%(0.5sec).

**DISPLAY (OPTION)**

- Type : 3 digit FND
- Display font : red super bright
- Display function : input or output or percent(%)
- Display error : 1digit(LSB).

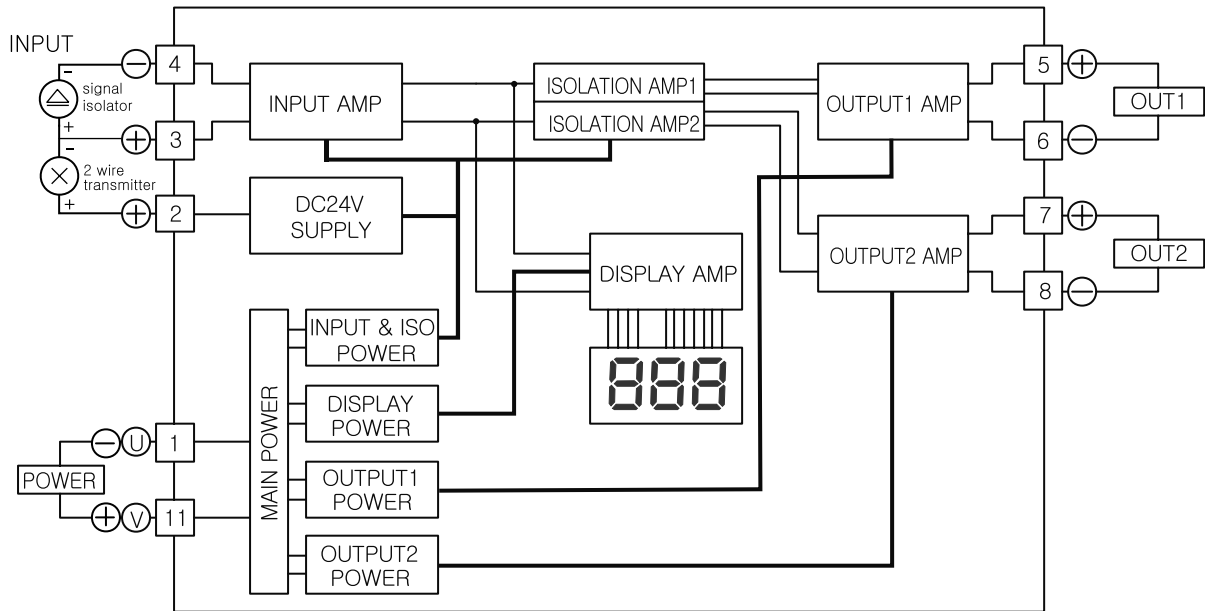
**MODEL & SPECIFICATION CODE**



# DISPLAY & POWER DISTRIBUTOR 2OUT CONVERTER

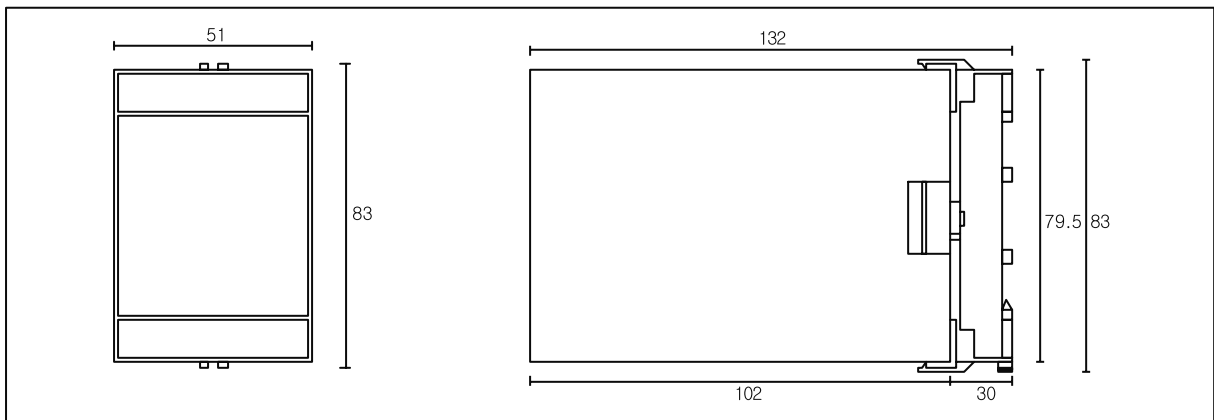
MODEL  
MR - PDC2

## ■ BLOCK DIAGRAM & PIN CONNECTION

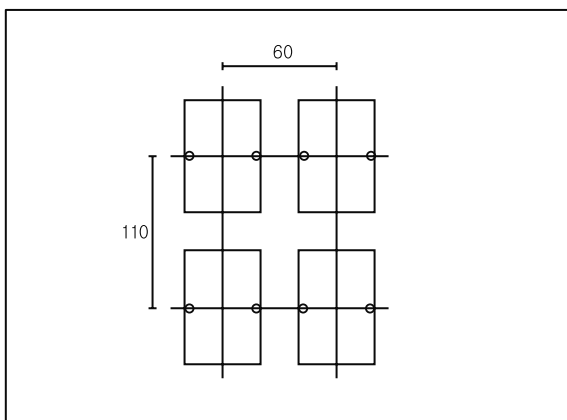


## ■ EXTERNAL DIMENSION, TERMINAL ARRANGEMENT & MOUNTING SPACE

DIMENSION'S (mm)



MOUNTING SPACE (mm)



SOCKET DIMENSION'S (mm) & TERMINAL ARRANGEMENT

