

MODEL

MR - ASC2

DISPLAY & AC SIGNAL 2OUTPUT CONVERTER



This is a converter used to convert to DC signal by using input signal source of AC signal.

Correct signal transfer without noise is enabled with built-in filter circuits.

본 변환기는 교류신호(AC SIGNAL)를 입력원으로 하여 직류신호로 변환하는 변환기입니다.

NOISE FILTER 가 내장되어 있어 정확한 신호전달을 합니다.

FEATURES

Small size(mm) : 83(H), 51(W), 102(D).
 Isolation : input to output to power supply.
 Power supply : AC or DC supply.
 Wiring : terminal socket wiring.
 Case & color : black ABS plastic case.
 Weight : about 400g

INPUT SIGNAL SPECIFICATION

Input signal : 500Vac or 5Aac max.
 Input signal loss : 0.5VA.
 Operating range : 0 - 110%.
 Promissible over range : 200% 1minute.

OUTPUT SIGNAL SPECIFICATION

Output voltage signal : 12VDC max.
 Output voltage impedance : 2Kohm min.
 Output voltage noise : 10mV p-p max.
 Output current signal : 30mADC max.
 Output load resistance : 750ohm max.
 Output current noise(250ohm load) : 10mV p-p.

OUTPUT	IMPEDANCE	OUTPUT	LOAD - R
0 - 1VDC	> 1Kohm	0 - 1mA	< 15Kohm
0 - 5VDC	> 2Kohm	0 - 20mA	< 750ohm
1 - 5VDC	> 2Kohm	1 - 5mA	< 3Kohm
0 - 10VDC	> 4Kohm	4 - 20mA	< 750ohm

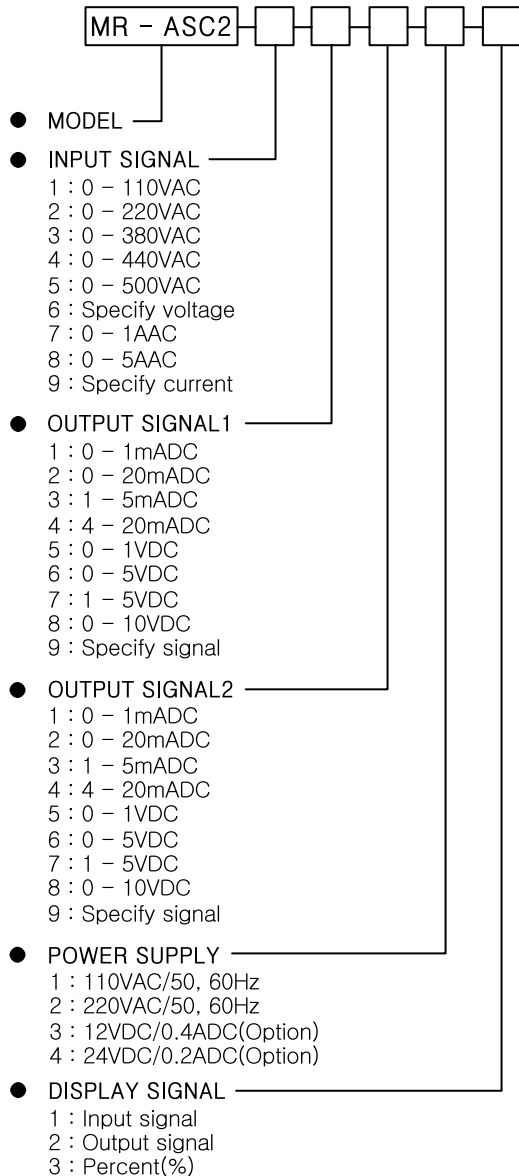
GENERAL SPECIFICATION

Operating ambient temperature : 0 - 50°C.
 Non operating ambient temperature : -20 ~ 80°C.
 Temperature coefficient : 0.015%/°C.
 Operating ambient humidity : 90% RH max.(non condensing)
 Insulation resistance : greater than 100Mohm with 500VDC.
 Dielectric strength : 1500VAC@1minute(input/out1/out2/power)
 Adjustment range : 20% (zero & span) min.
 Conversion accuracy : 0.15% max.
 Response time : 0 - 90%(0.5sec).

DISPLAY (OPTION)

Type : 3 digit FND
 Display font : red super bright
 Display function : input or output or percent(%)
 Display error : 1digit(LSB).

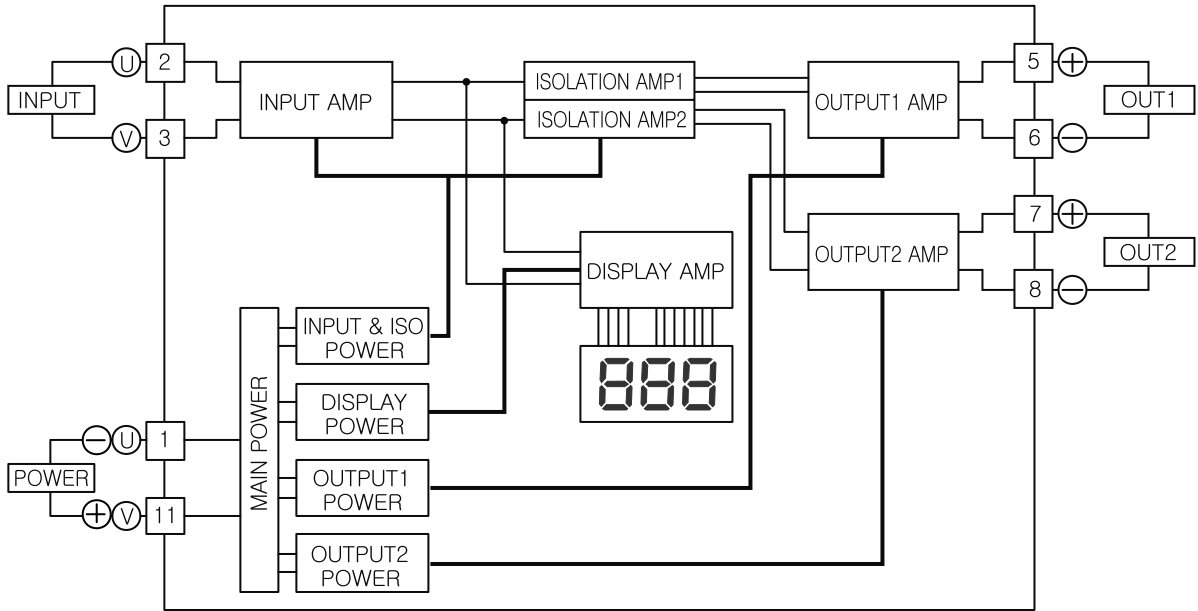
MODEL & SPECIFICATION CODE



DISPLAY & AC SIGNAL 2OUTPUT CONVERTER

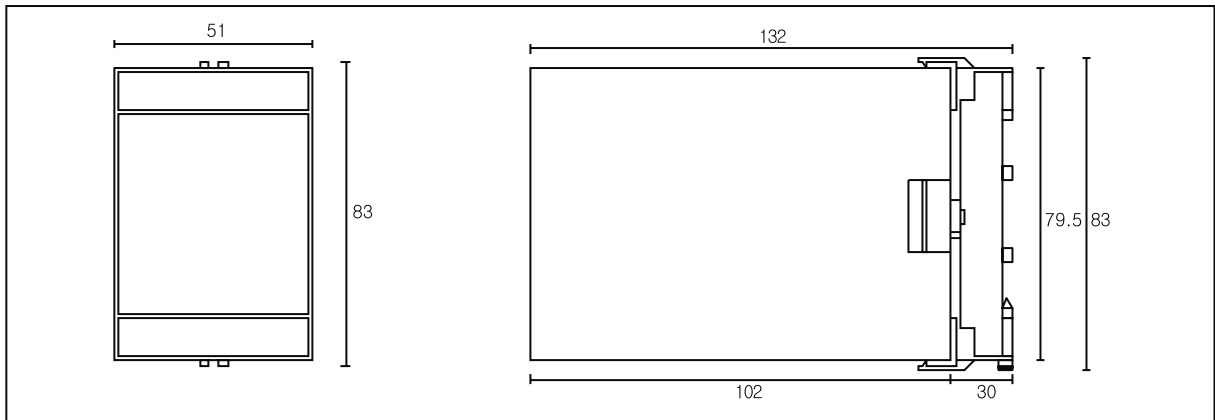
MODEL
MR - ASC2

■ BLOCK DIAGRAM & PIN CONNECTION

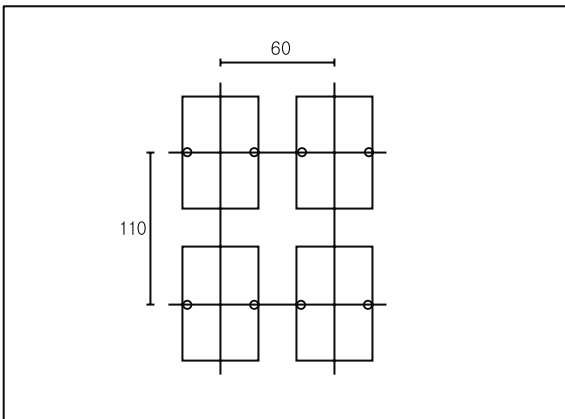


■ EXTERNAL DIMENSION, TERMINAL ARRANGEMENT & MOUNTING SPACE

DIMENSION'S (mm)



MOUNTING SPACE (mm)



SOCKET DIMENSION'S (mm) & TERMINAL ARRANGEMENT

