

**MODEL**  
MR - SBC2 **DISPLAY & DC SUBTRACT 2OUTPUT CONVERTER**



This is a converter to output average subtracted values of both signals by using two types of DC signal as input signal source.

With built-in noise removal filter, transfers correct signal, and precision isolation circuits enable perfect signal transfer not affected by withstand insulation voltage, transfer speed, noise, etc.

본 변환기는 2종류의 직류신호를 입력원으로하여 두신호의 감소된 평균값을 출력하는 변환기입니다.

ISOLATION 회로를 채용하여 절연내압, 전송속도, NOISE등의 영향없는 완벽한 신호전달을 가능하게 합니다.

**FEATURES**

- Small size(mm) : 83(H), 51(W), 102(D).
- Isolation : input to output to power supply.
- Power supply : AC or DC supply.
- Wiring : terminal socket wiring.
- Case & color : black ABS plastic case.
- Weight : about 400g

**INPUT SIGNAL SPECIFICATION**

- Input voltage signal(A or B) : -300 ~ 300VDC.
- Input voltage impedance : 1Mohm min.
- Input current signal(A or B) : 30mADC max.
- Input current resistance : 100ohm max. (at 20mA)

**OUTPUT SIGNAL SPECIFICATION**

- Output voltage signal : 12VDC max.
- Output voltage impedance : 2Kohm min.
- Output voltage noise : 10mV p-p max.
- Output current signal : 30mADC max.
- Output load resistance : 750ohm max.
- Output current noise(250ohm load) : 10mV p-p.

OUTPUT	IMPEDANCE	OUTPUT	LOAD - R
0 - 1VDC	> 1Kohm	0 - 1mA	< 15Kohm
0 - 5VDC	> 2Kohm	0 - 20mA	< 750ohm
1 - 5VDC	> 2Kohm	1 - 5mA	< 3Kohm
0 - 10VDC	> 4Kohm	4 - 20mA	< 750ohm

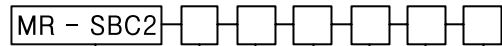
**GENERAL SPECIFICATION**

- Operating ambient temperature : 0 - 50°C.
- Non operating ambient temperature : -20 ~ 80°C.
- Temperature coefficient : 0.015%/°C.
- Operating ambient humidity : 90% RH max.(non condensing)
- Insulation resistance : greater than 100Mohm with 500VDC.
- Dielectric strength : 1500VAC @ 1minute (input/out1/out2/power).
- Adjustment range : 20% (zero & span) min.
- Conversion accuracy : 0.15% max.
- Response time : 0 - 90%(0.5sec).

**DISPLAY (OPTION)**

- Type : 3 digit FND
- Display font : red super bright
- Display function : input or output or percent(%)
- Display error : 1digit(LSB).

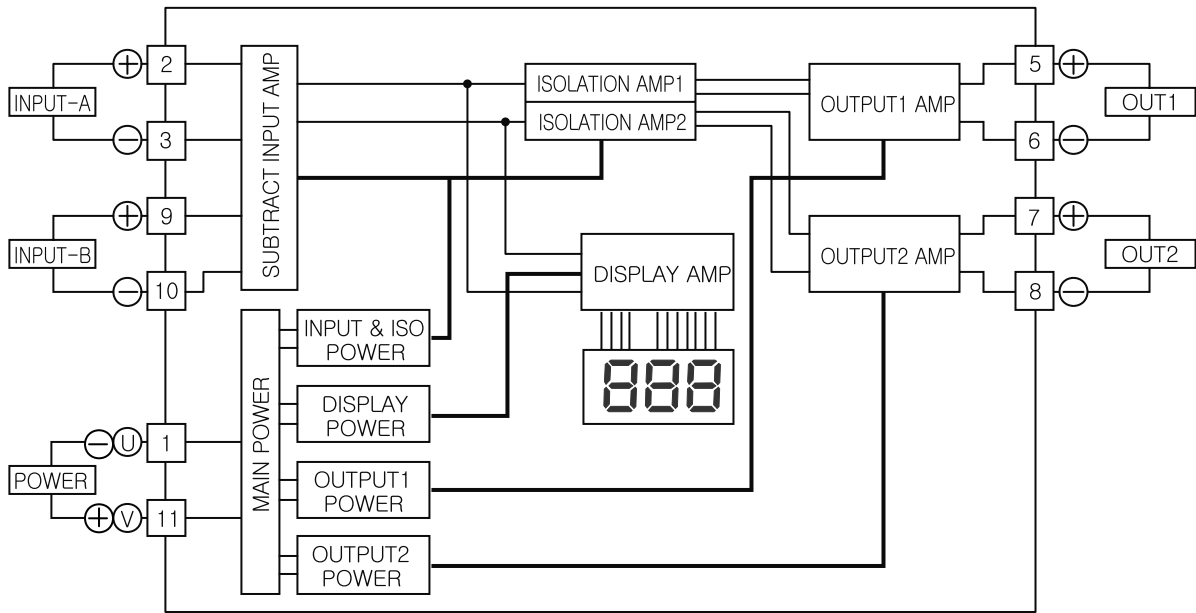
**MODEL & SPECIFICATION CODE**



- MODEL
- INPUT SIGNAL - A
  - 1 : 4 - 20mADC
  - 2 : Specify current
  - 3 : 1 - 5VDC
  - 4 : Specify voltage
- INPUT SIGNAL - B
  - 1 : 4 - 20mADC
  - 2 : Specify current
  - 3 : 1 - 5VDC
  - 4 : Specify voltage
- OUTPUT SIGNAL1
  - 1 : 0 - 1mADC
  - 2 : 0 - 20mADC
  - 3 : 1 - 5mADC
  - 4 : 4 - 20mADC
  - 5 : 0 - 1VDC
  - 6 : 0 - 5VDC
  - 7 : 1 - 5VDC
  - 8 : 0 - 10VDC
  - 9 : Specify signal
- OUTPUT SIGNAL2
  - 1 : 0 - 1mADC
  - 2 : 0 - 20mADC
  - 3 : 1 - 5mADC
  - 4 : 4 - 20mADC
  - 5 : 0 - 1VDC
  - 6 : 0 - 5VDC
  - 7 : 1 - 5VDC
  - 8 : 0 - 10VDC
  - 9 : Specify signal
- POWER SUPPLY
  - 1 : 110VAC/50, 60Hz
  - 2 : 220VAC/50, 60Hz
  - 3 : 12VDC/0.4ADC(Option)
  - 4 : 24VDC/0.2ADC(Option)
- DISPLAY SIGNAL
  - 1 : Input signal
  - 2 : Output signal
  - 3 : Percent(%)

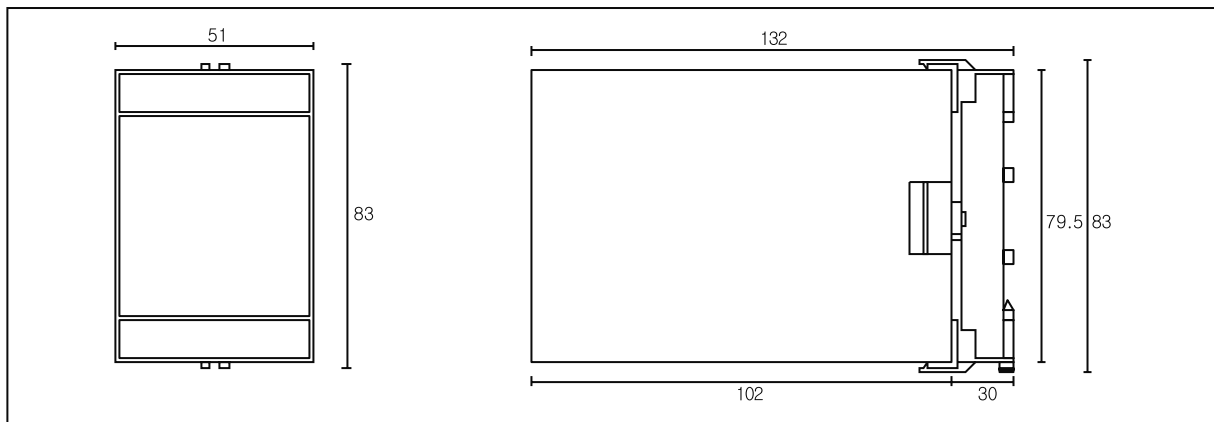
<b>DISPLAY &amp; DC SUBTRACT 2OUTPUT CONVERTER</b>	<b>MODEL</b> MR - SBC2
--	---------------------------

■ **BLOCK DIAGRAM & PIN CONNECTION**

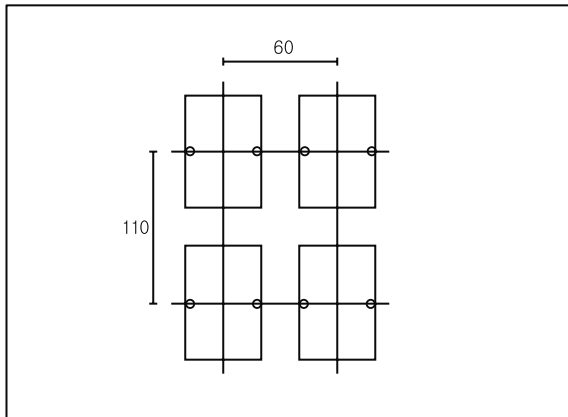


■ **EXTERNAL DIMENSION, TERMINAL ARRANGEMENT & MOUNTING SPACE**

DIMENSION'S (mm)



MOUNTING SPACE (mm)



SOCKET DIMENSION'S (mm) & TERMINAL ARRANGEMENT

