

MODEL

MR - FDC2

FREQUENCY TO DC SIGNAL 2OUTPUT CONVERTER



This is a converter to convert various types of frequency signal to DC signal. With filter circuits to remove signal noise, the MR-FDC executes correct signal transfer and is applied to a device to output pulse such volume, position control.

본 변환기는 여러 종류의 주파수 신호를 직류신호로 변환하는 변환기 입니다. 신호잡음을 제거하기위한 FILTER회로를 내장하여 정확한 신호전달을 하며, 유량 위치제어등의 PULSE 출력 기기에 적용됩니다.

FEATURES

- Small size(mm) : 83(H), 51(W), 102(D).
- Isolation : input to output to power supply.
- Power supply : AC or DC supply.
- Wiring : terminal socket wiring.
- Case & color : black ABS plastic case.
- Weight : about 400g

INPUT SIGNAL SPECIFICATION

- Input signal : frequency(pulse)
- Input type : voltage pulse, current pulse, open collector pulse, dry contact pulse.
- Input range : 10KHz max.
- EXT Power : 12VDC max.

OUTPUT SIGNAL SPECIFICATION

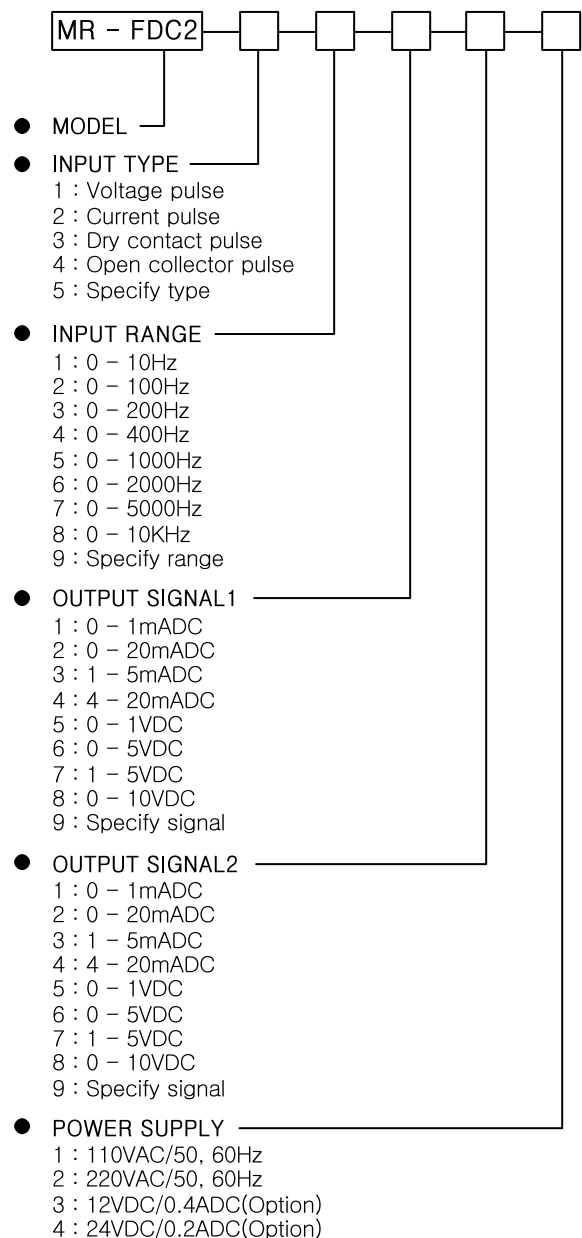
- Output voltage signal : 12VDC max.
- Output voltage impedance : 2Kohm min.
- Output voltage noise : 10mV p-p max.
- Output current signal : 30mADC max.
- Output load resistance : 750ohm max.
- Output current noise(250ohm load) : 10mV p-p.

OUTPUT	IMPEDANCE	OUTPUT	LOAD - R
0 - 1VDC	> 1Kohm	0 - 1mA	< 15Kohm
0 - 5VDC	> 2Kohm	0 - 20mA	< 750ohm
1 - 5VDC	> 2Kohm	1 - 5mA	< 3Kohm
0 - 10VDC	> 4Kohm	4 - 20mA	< 750ohm

GENERAL SPECIFICATION

- Operating ambient temperature : 0 - 50°C.
- Non operating ambient temperature : -20 ~ 80°C.
- Temperature coefficient : 0.015%/°C.
- Operating ambient humidity : 90% RH max.(non condensing)
- Insulation resistance : greater than 100Mohm with 500VDC.
- Dielectric strength : 1500VAC @ 1minute (input to out1 to out2 to power).
- Adjustment range : 20% (zero & span) min.
- Conversion accuracy : 0.15% max.
- Response time : 0 - 90%(0.5sec).
- Linearity : 0.2% max.

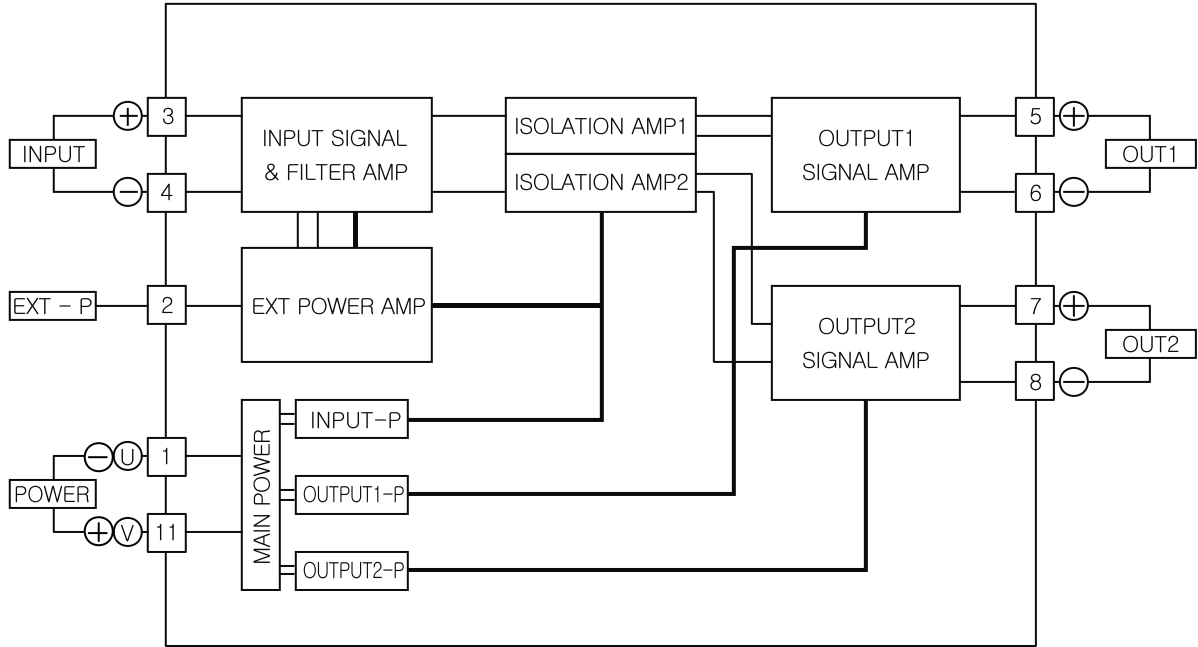
MODEL & SPECIFICATION CODE



FREQUENCY TO DC SIGNAL 2OUTPUT CONVERTER

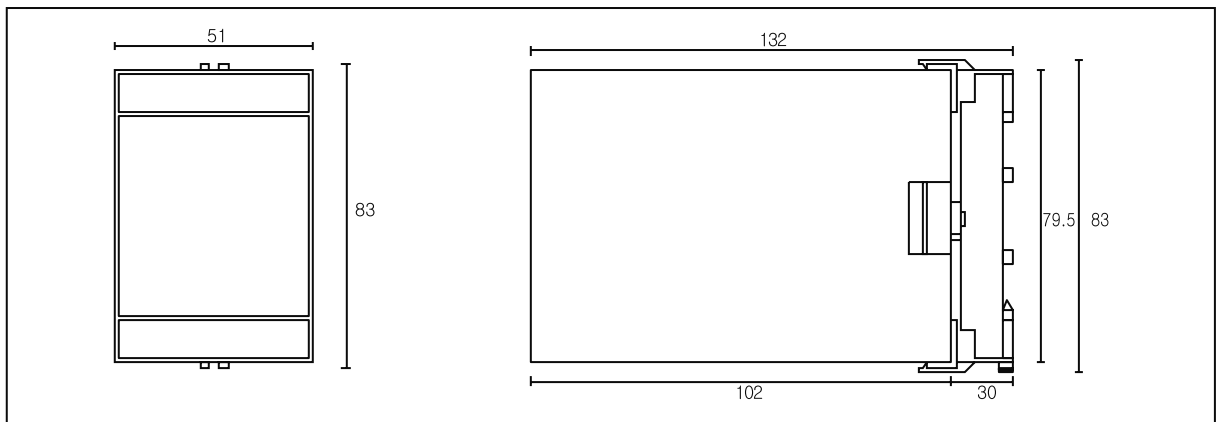
MODEL
MR - FDC2

■ BLOCK DIAGRAM & PIN CONNECTION

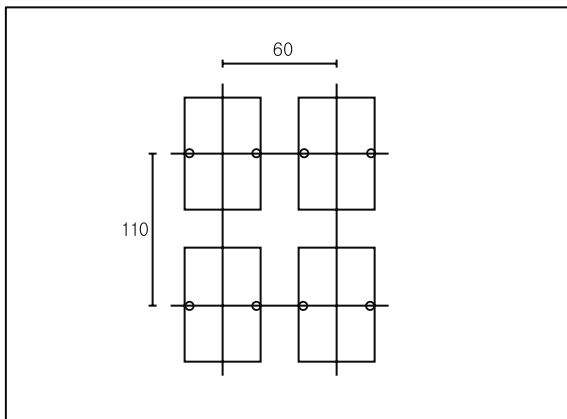


■ EXTERNAL DIMENSION, TERMINAL ARRANGEMENT & MOUNTING SPACE

DIMENSION'S (mm)



MOUNTING SPACE (mm)



SOCKET DIMENSION'S (mm) & TERMINAL ARRANGEMENT

