

MODEL MR - SRD2	SQUARE ROOT 2OUTPUT CONVERTER
---------------------------	--------------------------------------



This is a converter used for transmit or convert DC signals whose linear property is compensated for by using DC signals of the square root values as input signal source. With built-in noise removal filter, transfers correct signal, and precision isolation circuits enable perfect signal transfer not affected by withstand insulation voltage, transfer speed, noise, etc.

본변환기는 SQUARE ROOT값의 직류신호를 입력원으로 하여, 직선성이 보장된 직류신호를 전송 또는 변환하기위한 목적으로 사용되는 변환기입니다.

NOISE제거 FILTER 및 정밀 절연회로를 채용하여 정확한 신호 전달이 가능 하도록 제작되었습니다.

■ FEATURES

Small size(mm) : 83(H), 51(W), 102(D).
 Isolation : input to output to power supply.
 Power supply : AC or DC supply.
 Wiring : terminal socket wiring.
 Case & color : black ABS plastic case.
 Weight : about 400g

■ INPUT SIGNAL SPECIFICATION

Input voltage signal : -300 ~ 300VDC
 Input voltage impedance : 1 Mohm min.
 Input current signal : 30mADC max.
 Input current load resistance : 100ohm max. (at 20mA)

■ OUTPUT SIGNAL SPECIFICATION

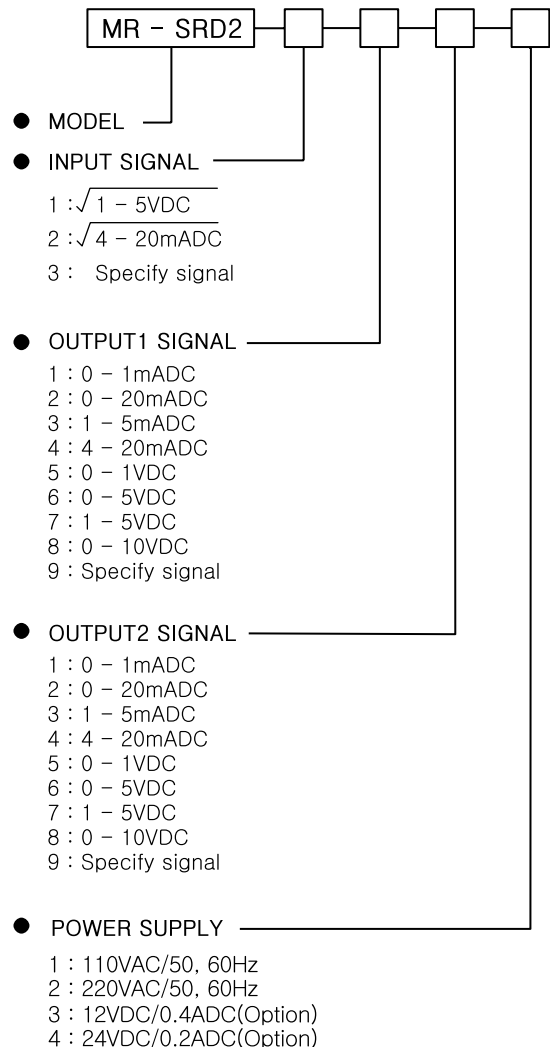
Output voltage signal : 12VDC max.
 Output voltage impedance : 2Kohm min.
 Output voltage noise : 10mV p-p max.
 Output current signal : 30mADC max.
 Output load resistance : 750ohm max.
 Output current noise(250ohm load) : 10mV p-p.

OUTPUT	IMPEDANCE	OUTPUT	LOAD - R
0 - 1VDC	> 1Kohm	0 - 1mA	< 15Kohm
0 - 5VDC	> 2Kohm	0 - 20mA	< 750ohm
1 - 5VDC	> 2Kohm	1 - 5mA	< 3Kohm
0 - 10VDC	> 4Kohm	4 - 20mA	< 750ohm

■ GENERAL SPECIFICATION

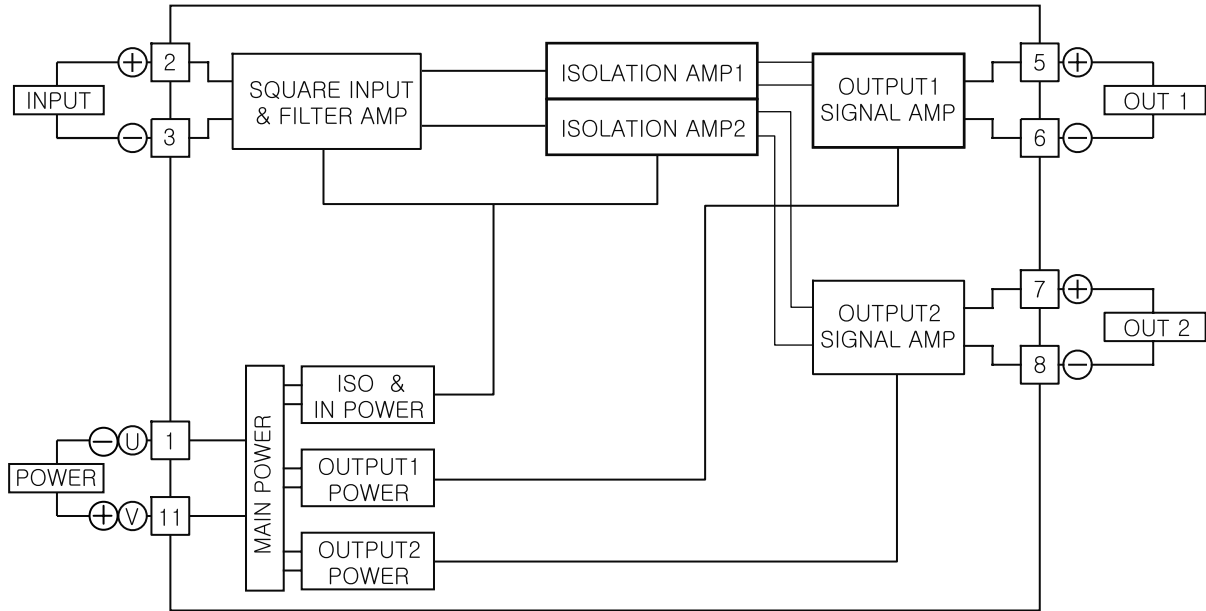
Operating ambient temperature : 0 - 50°C.
 Non operating ambient temperature : -20 ~ 80°C.
 Temperature coefficient : 0.015%/°C.
 Operating ambient humidity : 90% RH max.(non condensing).
 Insulation resistance : greater than 100Mohm with 500VDC.
 Dielectric strength : 1500VAC @ 1minute
 (input to output to power).
 Adjustment range : 20% (zero & span) min.
 Conversion accuracy : 0.15% max.
 Response time : 0 - 90%(0.5 sec).

■ MODEL & SPECIFICATION CODE



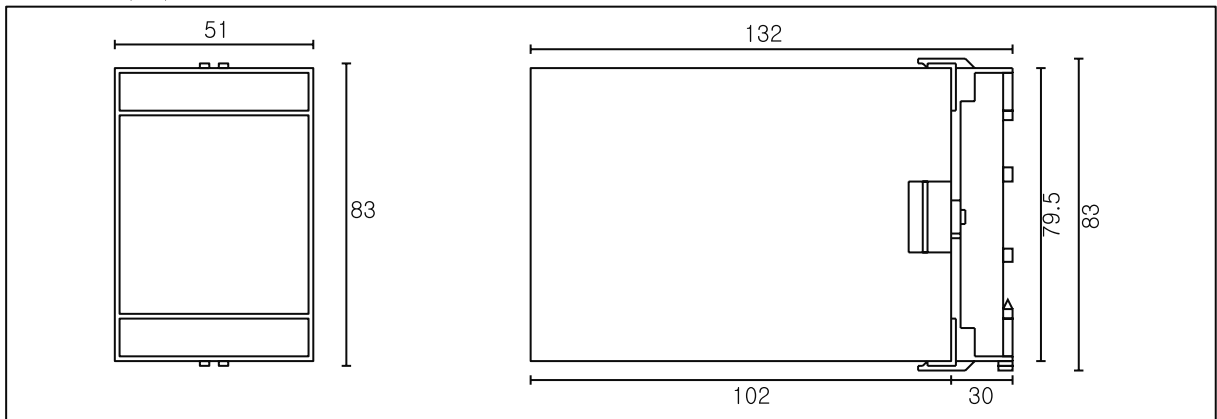
SQUARE ROOT 2OUTPUT CONVERTER MODEL MR - SRD2

■ BLOCK DIAGRAM & PIN CONNECTION

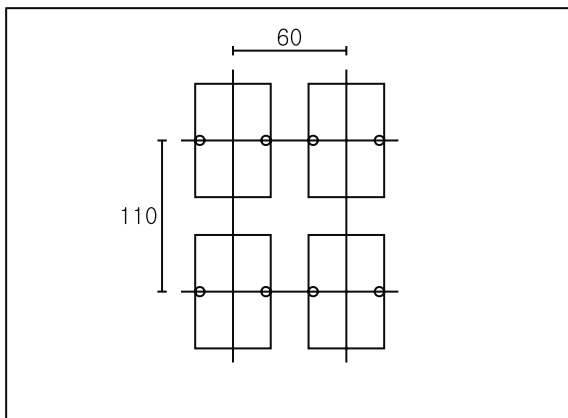


■ EXTERNAL DIMENSION, TERMINAL ARRANGEMENT & MOUNTING SPACE

DIMENSION'S (mm)



MOUNTING SPACE (mm)



SOCKET DIMENSION'S (mm) & TERMINAL ARRANGEMENT

