

<b>MODEL</b> MR - RTD3	<b>RTD TEMP' 3 OUTPUT CONVERTER</b>
---------------------------	-------------------------------------



This is a converter to convert to DC signal from the RTD temperature sensor.

This is equipped with a linear type of compensation circuit and compensates for non-linear error of the sensor, and enables perfect signal conversion not affected by withstand insulation voltage, transfer speed and noise, etc by adopting precision isolation circuits.

본 변환기는 RTD 온도 SENSOR로부터 직류신호로 변환하는 변환기입니다.

직선성 보상회로를 내장하여, SENSOR의 비직선 오차를 보상하였으며, ISOLATION 회로를 채용, 절연내압, 전달속도, NOISE등의 영향없는 완벽한 신호변환을 가능하게 합니다.

### FEATURES

- Small size(mm) : 83(H), 51(W), 102(D).
- Isolation : input to output to power supply.
- Power supply : AC or DC supply.
- Wiring : terminal socket wiring.
- Case & color : black ABS plastic case.
- Weight : about 400g

### INPUT SIGNAL SPECIFICATION

- Input type : 3wire type.
- Input signal : Pt50 or Pt100ohm.
- Input range : -200 ~ 600°C.
- EXT power : 1.5mA/5VDC.

### OUTPUT SIGNAL SPECIFICATION

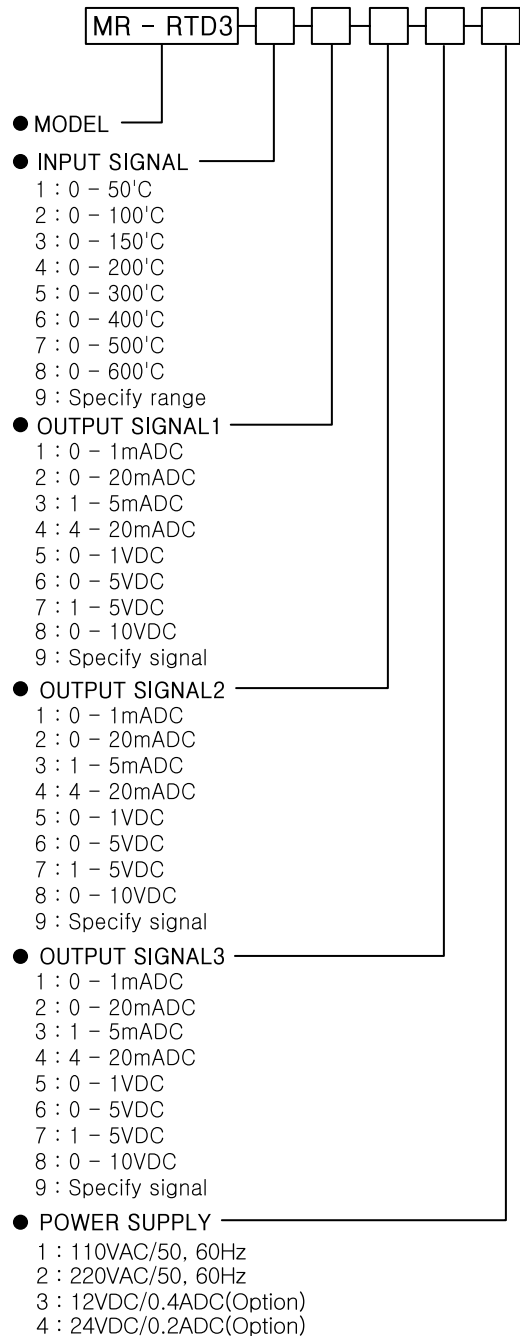
- Output voltage signal : 12VDC max.
- Output voltage impedance : 2Kohm min.
- Output voltage noise : 10mV p-p max.
- Output current signal : 30mADC max.
- Output load resistance : 750ohm max.
- Output current noise(250ohm load) : 10mV p-p.

OUTPUT	IMPEDANCE	OUTPUT	LOAD - R
0 - 1VDC	> 1Kohm	0 - 1mA	< 15Kohm
0 - 5VDC	> 2Kohm	0 - 20mA	< 750ohm
1 - 5VDC	> 2Kohm	1 - 5mA	< 3Kohm
0 - 10VDC	> 4Kohm	4 - 20mA	< 750ohm

### GENERAL SPECIFICATION

- Operating ambient temperature : 0 - 50°C.
- Non operating ambient temperature : -20 ~ 80°C.
- Temperature coefficient : 0.015%/°C.
- Operating ambient humidity : 90% RH max.(non condensing)
- Insulation resistance : greater than 100Mohm with 500VDC.
- Dielectric strength : 1500VAC @ 1minute  
(input/out1/out2/out3/power).
- Adjustment range : 20% (zero & span) min.
- Conversion accuracy : 0.15% max.
- Response time : 0 - 90%(0.5sec).

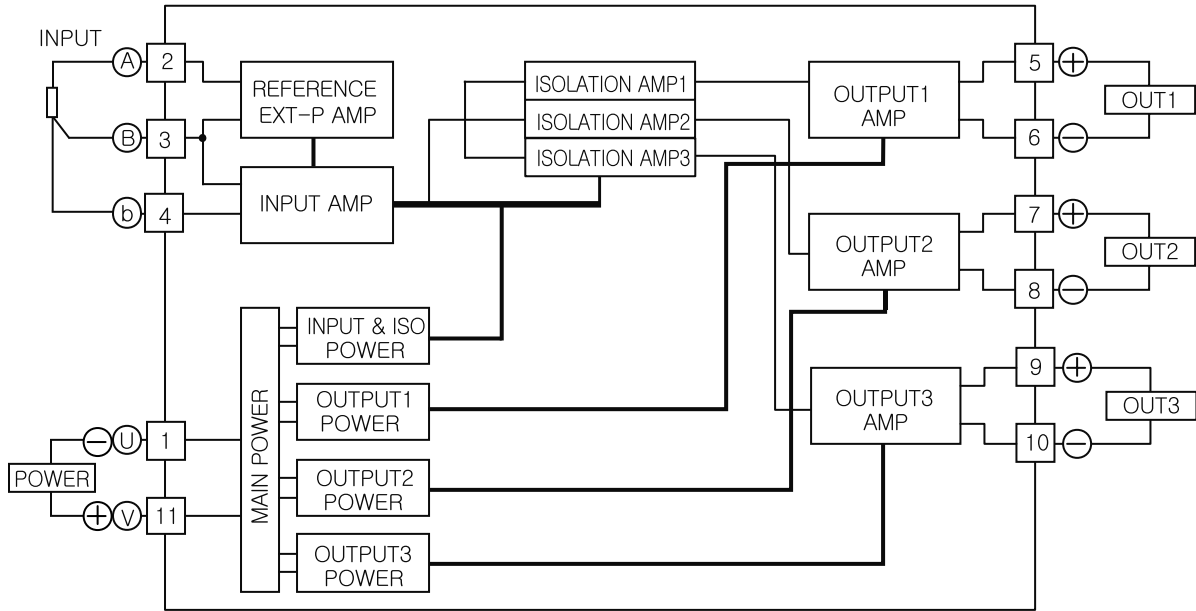
### MODEL & SPECIFICATION CODE



# RTD TEMP' 3 OUTPUT CONVERTER

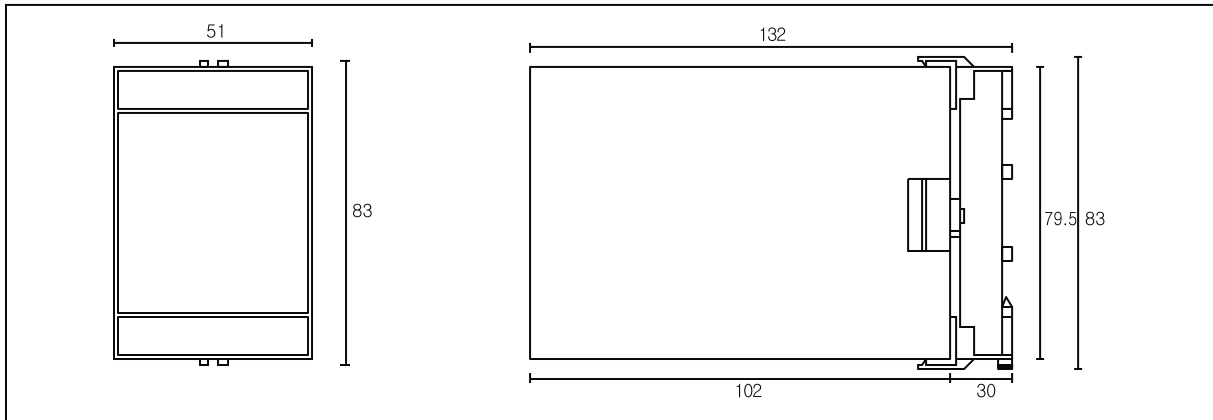
MODEL  
MR - RTD3

## ■ BLOCK DIAGRAM & PIN CONNECTION

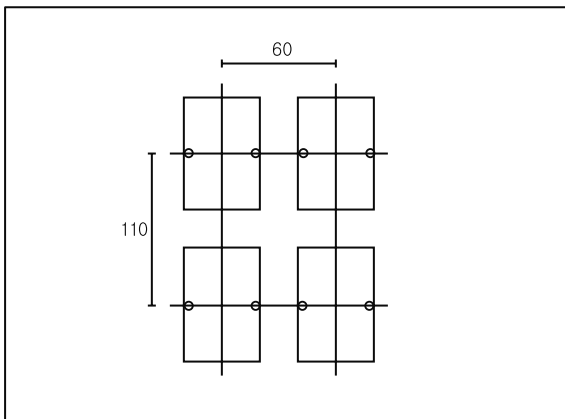


## ■ EXTERNAL DIMENSION, TERMINAL ARRANGEMENT & MOUNTING SPACE

DIMENSION'S (mm)



MOUNTING SPACE (mm)



SOCKET DIMENSION'S (mm) & TERMINAL ARRANGEMENT

