

MODEL	DISPLAY & DC SIGNAL ALARM SET CONVERTER
MR - DMS	



This is a converter used for requiring contact output in response of high & lower setting values at 2points by inputting DC signal.

본 변환기는 직류신호를 입력하여 2POINT의 HIGH & LOW 설정값에 대응한 접점 출력을 필요로 하는 목적에 사용되는 변환기입니다.

FEATURES

Small size(mm) : 83(H), 51(W), 102(D).
 Isolation : input to output to power supply.
 Power supply : AC or DC supply.
 Wiring : terminal socket wiring.
 Case & color : black ABS plastic case.
 Weight : about 400g

INPUT SIGNAL SPECIFICATION

Input voltage signal : -300 ~ 300VDC
 Input voltage impedance : 1Mohm min.
 Input current signal : 30mADC max.
 Input current load resistance : 100ohm max. (at 20mA)

OUTPUT SIGNAL SPECIFICATION

Output type : dry contact or specify.
 Output range : 120VAC @ 1A, 30VDC @ 1A.
 Dead band : 1% of full scale.

INPUT SIGNAL	ALARM SET CONTACT	
	LOW SET	HIGH SET
DC SIGNAL	DRY CONTACT	DRY CONTACT
2(+), 3(-)	5(B), 6(C), 7(A)	8(A), 9(C), 10(B)
L > INPUT < H	ON	OFF
L < INPUT < H	OFF	OFF
L < INPUT > H	OFF	ON
L > INPUT > H	ON	ON

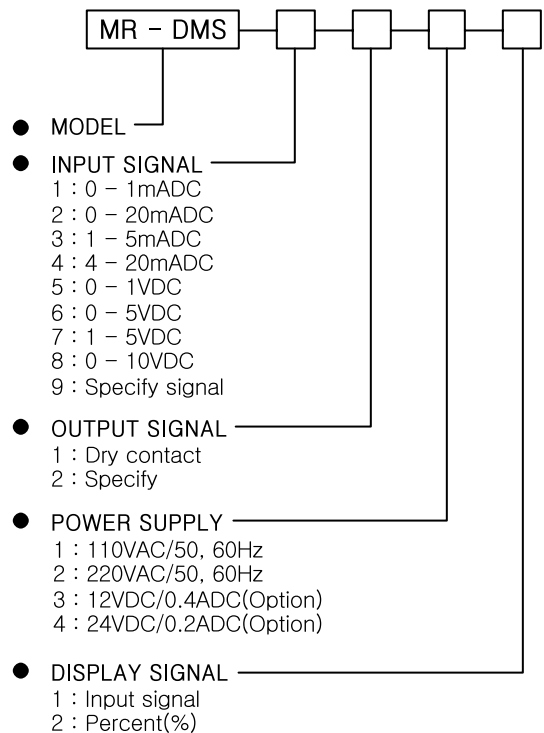
GENERAL SPECIFICATION

Operating ambient temperature : 0 - 50°C.
 Non operating ambient temperature : -20 ~ 80°C.
 Temperature coefficient : 0.015%/°C.
 Operating ambient humidity : 90% RH max.(non condensing)
 Insulation resistance : greater than 100Mohm with 500VDC.
 Dielectric strength : 1500VAC @ 1minute (input to output to power).
 Adjustment range : 0 - 100% (low & high).
 Conversion accuracy : 0.15% max.
 Response time : 0 - 90%(0.5sec).
 Dead band error : 1% max.

DISPLAY

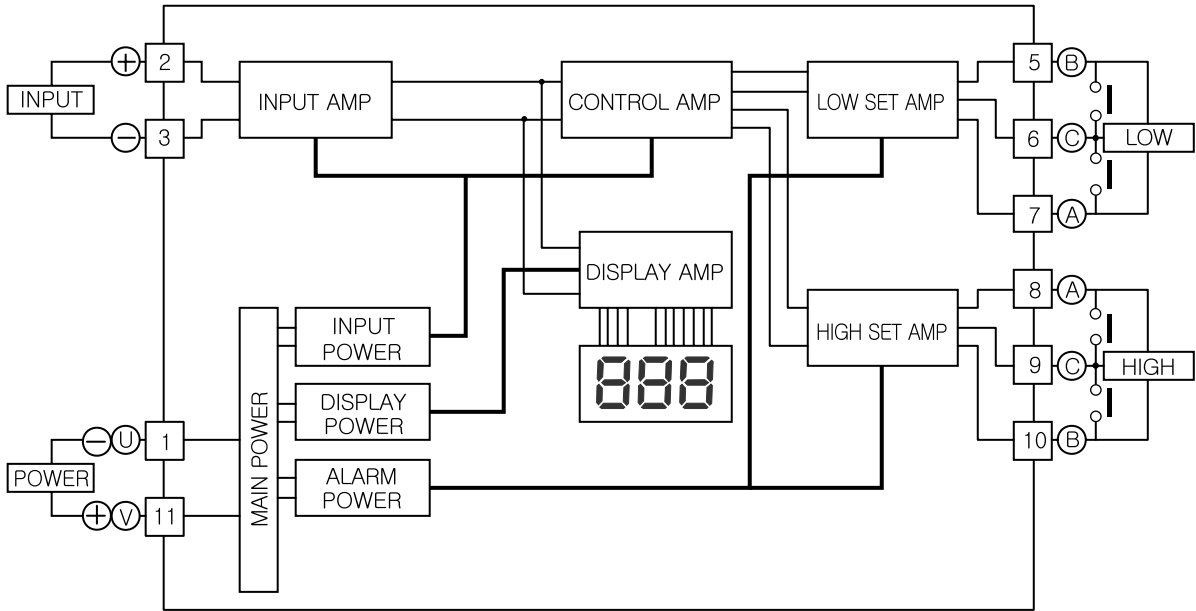
Type : 3 digit FND
 Display font : red super bright
 Display function : input or percent(%)
 Display error : 1digit(LSB).

MODEL & SPECIFICATION CODE



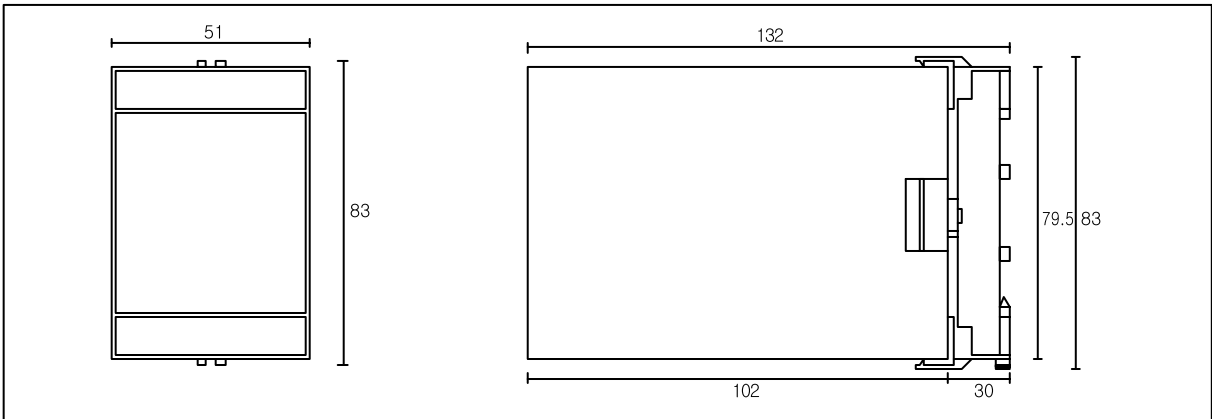
DISPLAY & DC SIGNAL ALARM SET CONVERTER	MODEL MR - DMS
--	--------------------------

■ **BLOCK DIAGRAM & PIN CONNECTION**

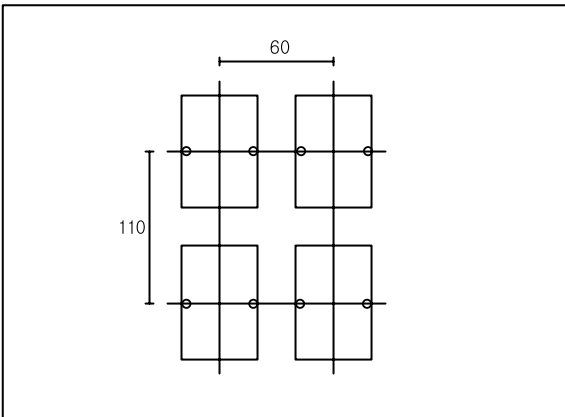


■ **EXTERNAL DIMENSION, TERMINAL ARRANGEMENT & MOUNTING SPACE**

DIMENSION'S (mm)



MOUNTING SPACE (mm)



SOCKET DIMENSION'S (mm) & TERMINAL ARRANGEMENT

