

MODEL

MR - PSA

POTENTIOMETER ALARM SET & DC SIGNAL OUT CONVERTER



This is a converter to output DC signals insulated from contact output in response of high & low setting valuse at 2 points by inputting Potentiometer.

본 변환기는 POTENTIOMETER를 입력하여 2POINT의 HIGH & LOW 설정값에 대응한 점점 출력과 절연된 직류신호를 출력 하는 변환기 입니다.

FEATURES

Small size(mm) : 83(H), 51(W), 102(D).
 Isolation : input to output to power supply.
 Power supply : AC or DC supply.
 Wiring : terminal socket wiring.
 Case & color : black ABS plastic case.
 Weight : about 400g

INPUT SIGNAL SPECIFICATION

Input type : 2wire or 3wire.
 Input signal : potentiometer.
 Input range : 100ohm - 2Mohm.
 EXT Power : 5VDC

OUTPUT CONTACT SPECIFICATION

Output type : dry contact or specify.
 Output range : 120VAC @ 1A, 30VDC @ 1A.
 Dead band : 1% of full scale.

	ALARM SET CONTACT	
	LOW SET	HIGH SET
INPUT SIGNAL	LOW SET	HIGH SET
POTENTIOMETER	DRY CONTACT	DRY CONTACT
2(H), 3(C), 4(L)	5(A), 6(C)	7(A), 8(C)
L > INPUT < H	ON	OFF
L < INPUT < H	OFF	OFF
L < INPUT > H	OFF	ON
L > INPUT > H	ON	ON

OUTPUT SIGNAL SPECIFICATION

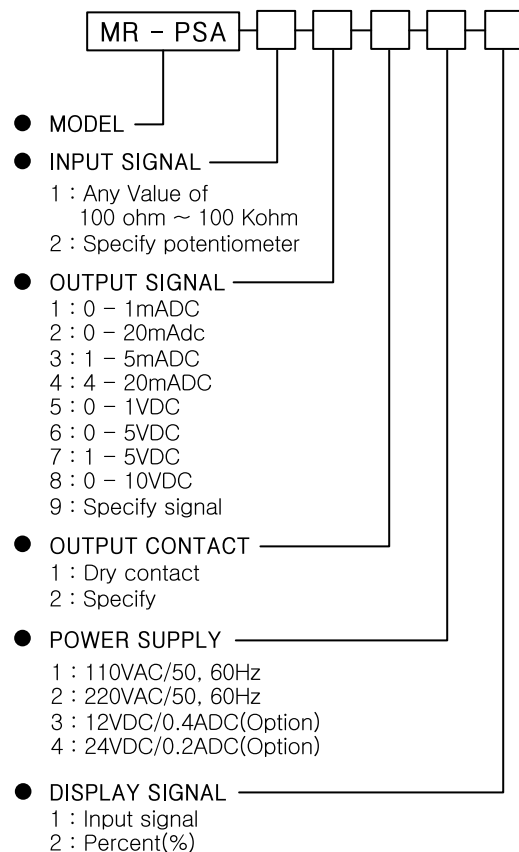
Output voltage signal : 12VDC max.
 Output voltage impedance : 2Kohm min.
 Output voltage noise : 10mV p-p max.
 Output current signal : 30mADC max.
 Output current load resistance : 750ohm max.
 Output current noise(250ohm load) : 10mV p-p max.

VOLTAGE OUTPUT		CURRENT OUTPUT	
OUTPUT	IMPEDANCE	OUTPUT	LOAD - R
0 - 1VDC	> 1Kohm	0 - 1mADC	< 15Kohm
0 - 5VDC	> 2Kohm	0 - 20mADC	< 750ohm
1 - 5VDC	> 2Kohm	1 - 5mADC	< 3Kohm
0 - 10VDC	> 4Kohm	4 - 20mADC	< 750ohm

DISPLAY

Type : 3 digit FND
 Display font : red super bright
 Display function : input or percent(%).
 Display error : 1digit(LSB).

MODEL & SPECIFICATION CODE



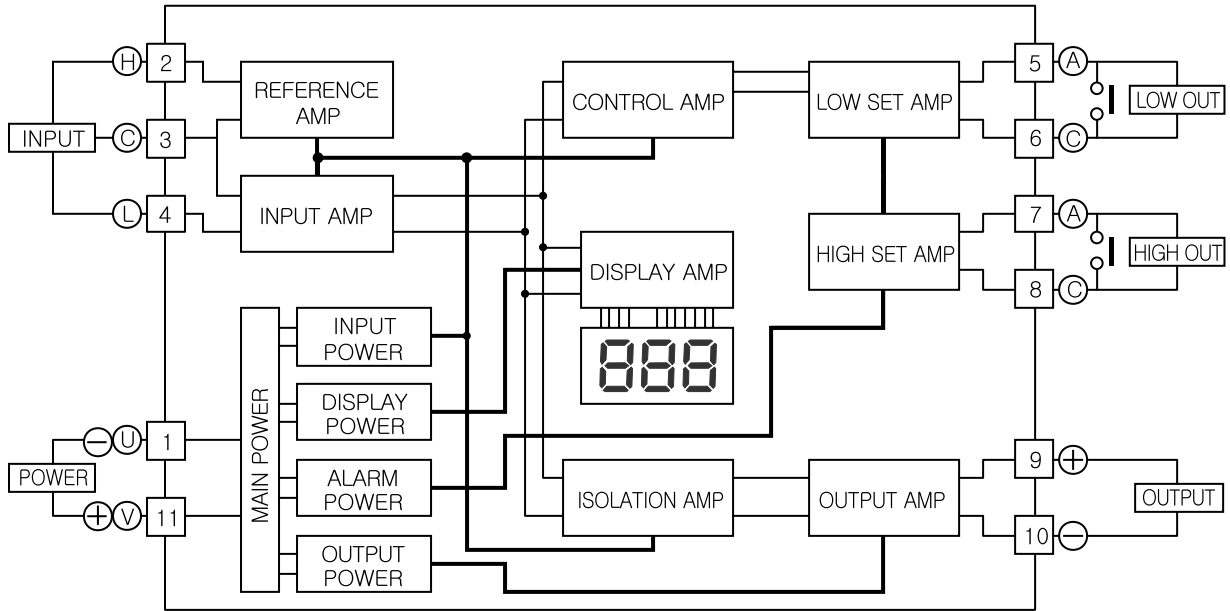
GENERAL SPECIFICATION

Operating ambient temperature : 0 - 50°C.
 Non operating ambient temperature : -20 ~ 80°C.
 Temperature coefficient : 0.015%/°C.
 Operating ambient humidity : 90% RH max.
 (non condensing)
 Insulation resistance : greater than 100Mohm with 500VDC.
 Dielectric strength : 1500VAC @ 1minute
 (input/out1/out2/power).
 Adjustment range : 0 - 100% (low & high).
 Conversion accuracy : 0.15% max.
 Response time : 0 - 90%(0.5sec).
 Dead band error : 1% max.

POTENTIOMETER ALARM SET & DC SIGNAL OUT CONVERTER

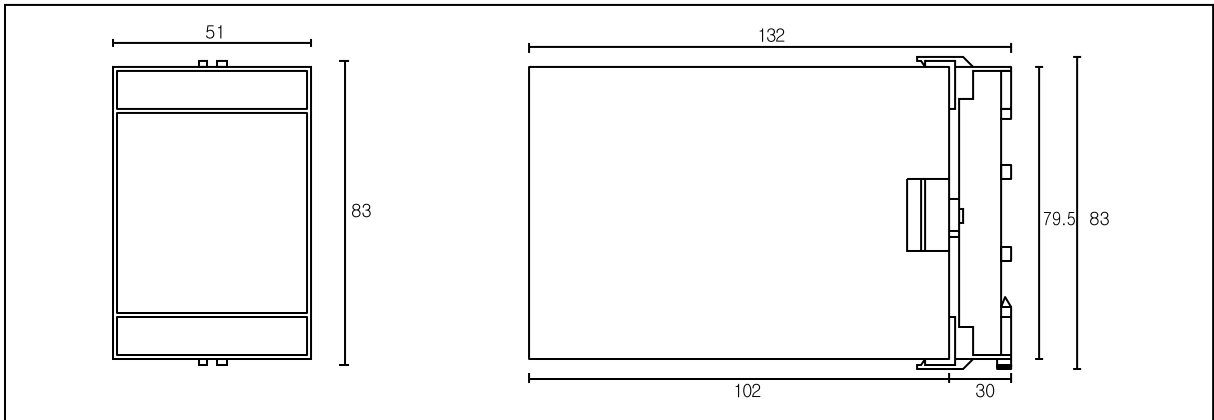
MODEL
MR - PSA

■ BLOCK DIAGRAM & PIN CONNECTION

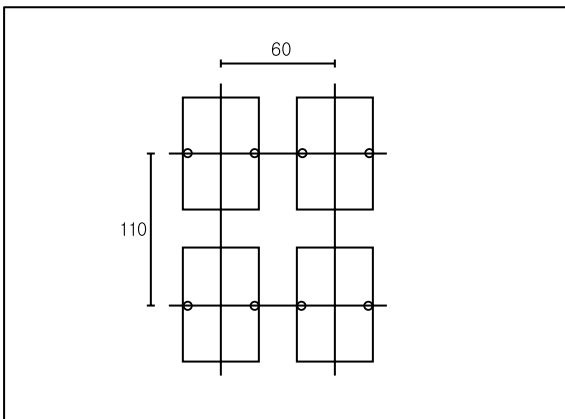


■ EXTERNAL DIMENSION, TERMINAL ARRANGEMENT & MOUNTING SPACE

DIMENSION'S (mm)



MOUNTING SPACE (mm)



SOCKET DIMENSION'S (mm) & TERMINAL ARRANGEMENT

