

MODEL
MR - PMS4 **POTENTIOMETER TO 4-CH ALARM SET CONVERTER**



This is a converter used for requiring contact output in response of H.High / High / Low / L.Low setting values at 4points by inputting Potentiometer.

본변환기는 POTENTIOMETER를 입력하여 4POINT의 H.High / High / Low / L.Low 설정값에 대응한 점점 출력을 필요로 하는 목적에 사용되는 변환기 입니다.

FEATURES

Small size(mm) : 83(H), 51(W), 102(D).
Isolation : input to output to power supply.
Power supply : AC or DC supply.
Wiring : terminal socket wiring.
Case & color : black ABS plastic case.
Weight : about 400g

INPUT SIGNAL SPECIFICATION

Input type : 2wire or 3wire.
Input signal : potentiometer(volume).
Input range : 100ohm - 2Mohm.
EXT Power : 5VDC.

OUTPUT SIGNAL SPECIFICATION

Output type : dry contact or specify.
Output range : 120VAC @ 1A, 30VDC @ 1A.
Dead band : 1% of full scale.

INPUT SIGNAL	ALARM SET CONTACT	
	L.LOW SET	H.HIGH SET
POTENTIOMETER	DRY CONTACT	DRY CONTACT
2(H), 3(C), 4(L)	5(A), 6(C), 7(A)	8(A), 9(C), 10(A)
L.L>INPUT<H.H	ON	OFF
L.L<INPUT<H.H	OFF	OFF
L.L<INPUT>H.H	OFF	ON
L.L>INPUT>H.H	ON	ON

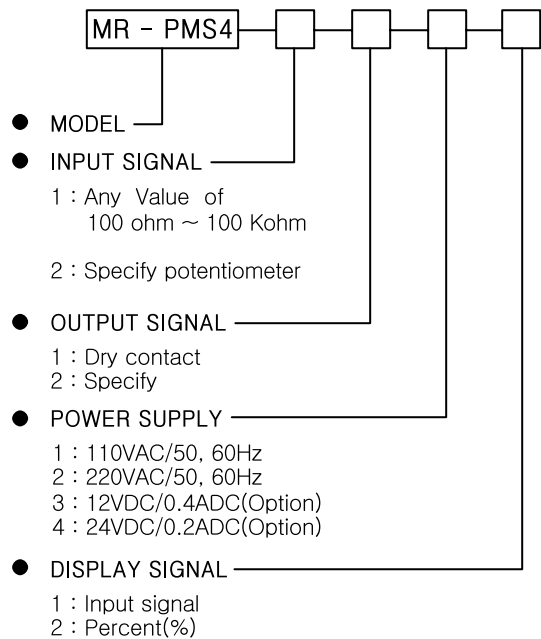
GENERAL SPECIFICATION

Operating ambient temperature : 0 - 50°C.
Non operating ambient temperature : -20 ~ 80°C.
Temperature coefficient : 0.015%/°C.
Operating ambient humidity : 90% RH max.(non condensing)
Insulation resistance : greater than 100Mohm with 500VDC.
Dielectric strength : 1500VAC @ 1minute (input to output to power).
Adjustment range : 0 - 100% (low & high).
Conversion accuracy : 0.15% max.
Response time : 0 - 90%(0.5sec).
Dead band error : 1% max.

DISPLAY

Type : 3 digit FND
Display font : red super bright
Display function : input or percent(%).
Display error : 1 digit(LSB).

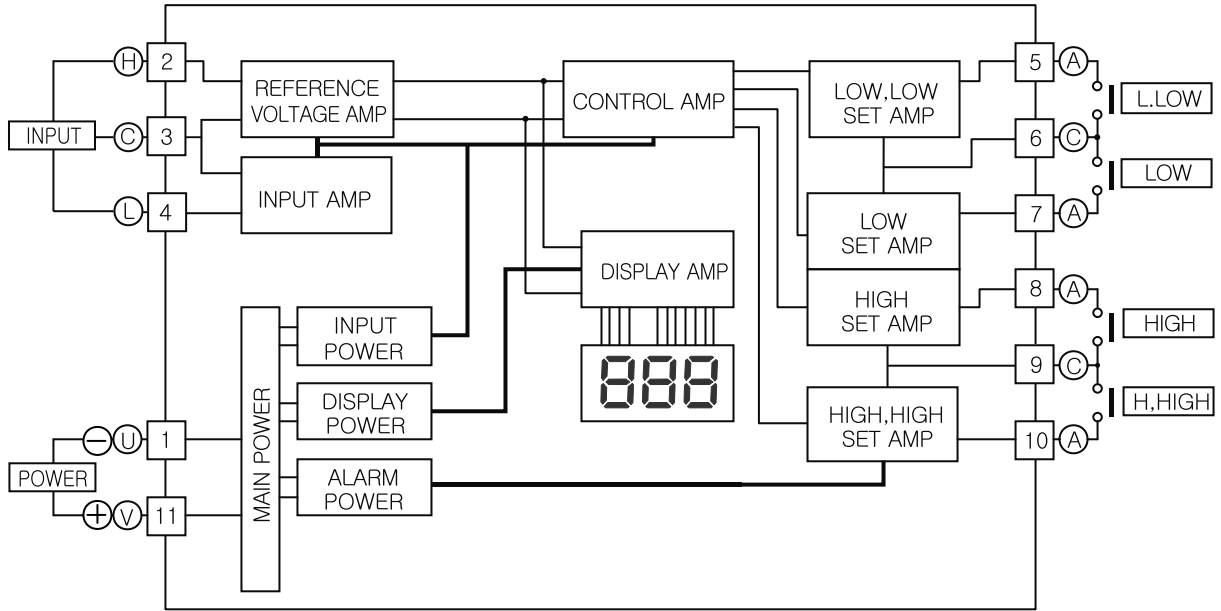
MODEL & SPECIFICATION CODE



POTENTIOMETER TO 4-CH ALARM SET CONVERTER

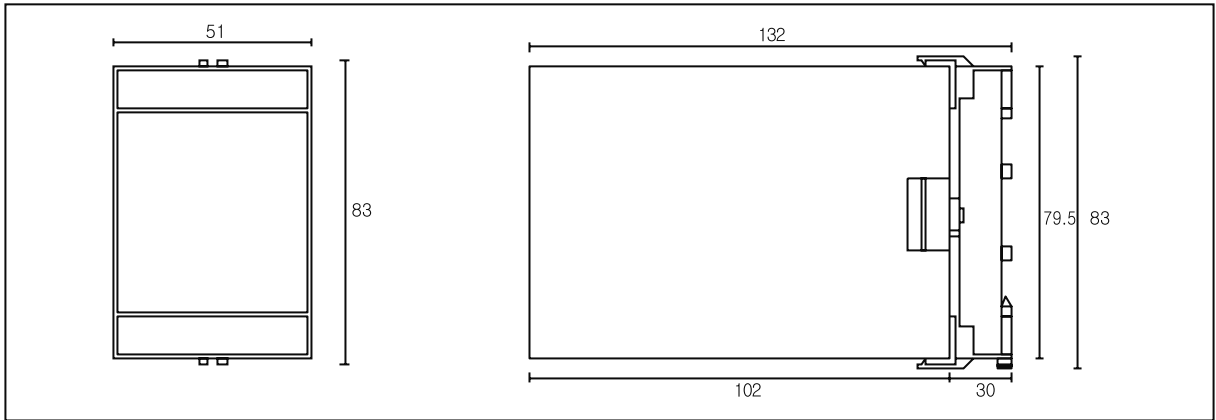
MODEL
MR - PMS4

BLOCK DIAGRAM & PIN CONNECTION

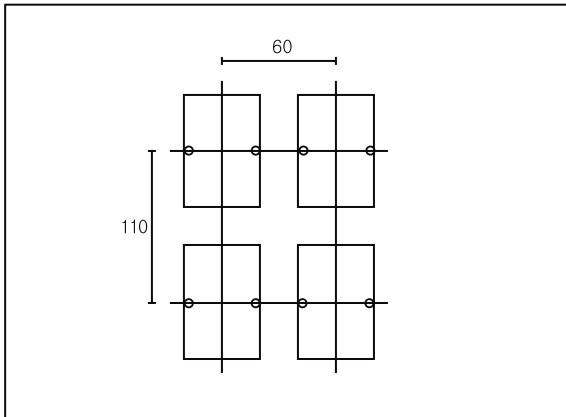


EXTERNAL DIMENSION, TERMINAL ARRANGEMENT & MOUNTING SPACE

DIMENSION'S (mm)



MOUNTING SPACE (mm)



SOCKET DIMENSION'S (mm) & TERMINAL ARRANGEMENT

