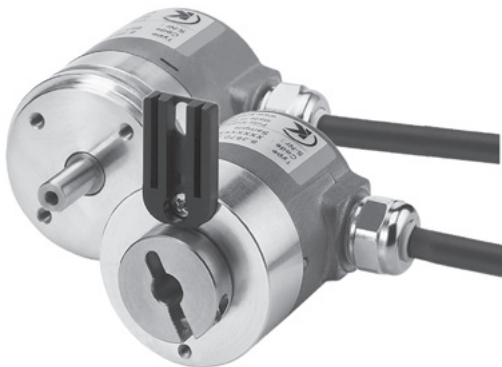


Absolute Encoders - Singleturn

Compact, magnetic

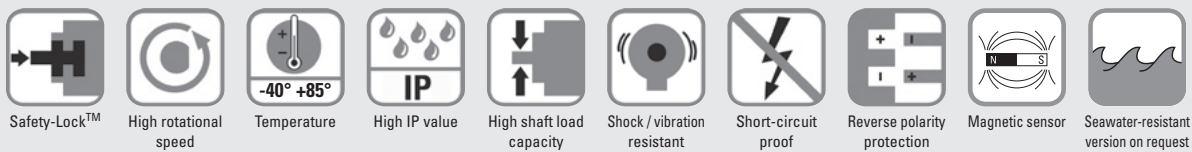
Sendix M3658 / M3678 (Shaft / Hollow shaft)

CANopen



The Sendix M3658 and Sendix M3678 Absolute Encoders - Singleturn with CANopen interface and magnetic sensor technology boast a resolution of 14 bits.

With a protection rating of up to IP69k, these encoders are resistant to shock and to extreme fluctuations in temperature, making them ideal for use in the most demanding outdoor applications.



Safe Technology

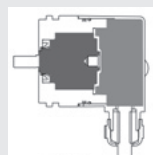
- Increased resistance against vibration and installation errors
- Sturdy bearing construction in Safety Lock™ Design
- Resistant die cast housing and protection up to IP69K

Versatile Applications

- CANopen Encoder profile DS406 V3.2
- Fast determination of the operating status via two-colour LED
- With M12 connector or cable connection

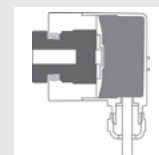
Safety-Lockplus™

IP69k protection on the flange side, robust bearing assemblies with interlocking bearings, mechanically protected shaft seal



Sensor-Protect™

Fully encapsulated electronics, separate mechanical bearing assembly



Order code Shaft version

8.M3658 . 2XCX . 21 1X
Type a b c d e f

a Flange
2 = synchro flange

b Shaft (ø x L), with flat
3 = ø 6 x 12,5 mm
5 = ø 6,35 (1/4") x 12,5 mm
6 = ø 8 x 12,5 mm

c Output circuit / Power supply
C = CANopen DS301 V4.02 / 8 ... 30 V DC

d Type of connection
2 = radial cable (1 m PUR)
4 = M12 connector, radial

e Fieldbus profile
21 = CANopen Encoder profile DS406 V3.2

f Protection
1 = IP67
2 = IP69K

optional on request
- Ex 2/22
- seawater-resistant
- special cable length

If for each parameter of an encoder the underlined preferred option is selected, then the delivery time will be 10 working days for a maximum of 10 pieces. Qts. up to 50 pcs. of these types generally have a delivery time of 15 working days.



Order code Hollow shaft

8.M3678 . XXCX . 21 1X
Type a b c d e f

a Flange
2 = with torque stop set
5 = with stator coupling

b Hollow shaft
2 = ø 6 mm
3 = ø 6.35 mm (1/4")
4 = ø 8 mm
6 = ø 10 mm

c Output circuit / Power supply
C = CANopen DS301 V4.02 / 8 ... 30 V DC

d Type of connection
2 = radial cable (1 m PUR)
4 = M12 connector, radial

e Fieldbus profile
21 = CANopen Encoder profile DS406 V3.2

f Protection
1 = IP67
2 = IP69K

optional on request
- Ex 2/22
- seawater-resistant
- special cable length

If for each parameter of an encoder the underlined preferred option is selected, then the delivery time will be 10 working days for a maximum of 10 pieces. Qts. up to 50 pcs. of these types generally have a delivery time of 15 working days.



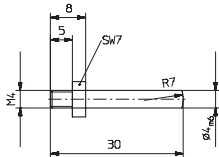
Absolute Encoders - Singleturn

Compact, magnetic	Sendix M3658 / M3678 (Shaft / Hollow shaft)	CANopen
--------------------------	--	----------------

Mounting accessory for shaft encoders

Coupling	Bellows coupling \varnothing 19 mm for shaft 6 mm	8.0000.1101.0606
-----------------	---	-------------------------

Mounting accessory for hollow shaft encoders

Cylindrical pin, long for torque stops		With fixing thread	8.0010.4700.0000
--	---	--------------------	-------------------------

Connection Technology

Connector, self-assembly	M12	8.0000.5116.0000
Cordset, pre-assembled with 2 m PVC cable	M12	8.0000.6V81.0002

Programming set

including:	<ul style="list-style-type: none"> - Interface converter USB-CAN - Connection cable from interface converter to encoder - Power supply 90 ... 250 V AC - DVD with Ezturn® software 	Minimum System Requirements: Operating system: Windows XP SP3 or higher Win7 in preparation Processor: 1 GHz RAM : 512 MB Required disk space: 500 MB	8.0010.9000.0015
------------	--	---	-------------------------

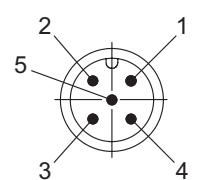
Further accessories can be found in the Accessories section or in the Accessories area of our website at: www.kuebler.com/accessories.
 Additional connectors can be found in the Connection Technology section or in the Connection Technology area of our website at: www.kuebler.com/connection_technology.

Mechanical characteristics	
Max. speed	6000 min ⁻¹
Starting torque	< 0.06 Nm
Load capacity of shaft	radial 40 N axial 20 N
Weight	ca. 0.2 kg
Protection EN 60 529/DIN 40050-9	IP67 / IP69k
EX approval for hazardous areas	optional Zone 2 and 22
Working temperature range	-40°C ... +85°C
Materials	shaft/hollow shaft stainless steel flange aluminium housing zinc die-cast housing cable PUR
Shock resistance acc. EN 60068-2-27	5000 m/s ² , 6 ms
Vibration resistance acc. EN 60068-2-6	300 m/s ² , 10 ... 2000 Hz
Permanent shock resistance acc. EN 60068-2-27	1000 m/s ² , 2 ms
Vibration (broad-band random) EN 60068-2-64	5 ... 2500 Hz, 100 m/s ² - rms
RoHS compliant acc. to	EU guideline 2002/95/EG
CE compliant acc. to	EN 61000-6-2, EN 61000-6-4, EN 61000-6-3, EN 61000-4-8 (behaviour under magnetic influence)

Interface characteristics CANopen	
Resolution	1 ... 16384 (14 bit), (scaleable: 1 ... 16384)
Default value	16384 (14 bit)
Code	Binary
Interface	CAN High-Speed according to ISO 11898, Basic- and Full-CAN, CAN Specification 2.0 B
Protocol	CANopen profile DS406 V3.2 with manufacturer-specific add-ons LSS-Service DS305 V2.0
Baud rate	10 ... 1000 kbit/s (Software configurable)
Node address	1 ... 127 (Software configurable)
Termination switchable	Software configurable
LSS Protocol	CIA LSS protocol DS305 Global command support for node address and baud rate. Selective commands via attributes of the identity object.

General electrical characteristics	
Power supply	5 ... 30 V DC
Current consumption (no load)	max. 25 mA
Reverse connection of the supply voltage (U_B)	yes
Measuring range	360°
Linearity	< 1°
Repeat accuracy (25°C)	< 0.1°
Data refresh rate	400 μ s
Status LED	LED ON or blinking red Error display LED ON or blinking green Status display

Terminal assignment					
Signal	+U _B	0 V	CAN GND	CAN High	CAN Low
M12 / Pin	2	3	1	4	5
Cable colour	BN	WH	GY	GN	YE



Absolute Encoders - Singleturn

Compact, magnetic

Sendix M3658 / M3678 (Shaft / Hollow shaft)

CANopen

General information about CANopen

The CANopen encoders of the M3658 and M3678 series support the latest CANopen communication profile according to DS301 V4.02. In addition, device specific profiles like the encoder profile DS406 V3.2 are available.

The following operating modes may be selected: Polled Mode, Cyclic Mode, Sync Mode. Moreover, scale factors, preset values, limit switch values and many other additional parameters can be programmed via the CANbus.

When switching the device on, all parameters are loaded from an EEPROM, where they were saved previously to protect them against power-failure.

The following output values may be combined in a freely variable way as PDO (PDO mapping): position, speed as well as the status of the working area.

The encoders are available with a connector or a cable connection.

The device address and baud rate can be set/modified by means of the software. The two colour LED located on the back indicates the operating or fault status of the CAN bus, as well as the status of the internal diagnostics.

CANopen Communication Profile DS301 V4.02

Among others, the following functionality is integrated.

Class C2 functionality:

- NMT Slave
- Heartbeat Protocol
- Identity Object
- Error Behaviour Object
- Variable PDO Mapping self-start programmable (Power on to operational), 3 Sending PDO's
- Node address, baud rate and CANbus / Programmable termination

CANopen Encoder Profile DS406 V3.2

The following parameters can be programmed:

- Event mode
 - 1 work area with upper and lower limit and the corresponding output states
 - Variable PDO mapping for position, speed, work area status
 - Extended failure management for position sensing with integrated temperature control
 - User interface with visual display of bus and failure status 1 LED two colours
 - Customer-specific memory - 16 Bytes
 - Customer-specific protocol
- "Watchdog controlled" device

LSS Layer Setting Services DS305 V2.0

- Global support of Node-ID and baud rate
- Selective protocol via identity object (1018h)

CANbus Connection

The CANopen encoders are equipped with a Bus trunk line in various lengths and can be terminated in the device.

The devices do not have an integrated T-coupler nor they are looped internally and must therefore only be used as end devices.

If possible, drop lines should be avoided, as in principle they lead to signal reflections. As a rule the reflections caused by the drop lines are not critical, if they have completely decayed before the point in time when the scanning occurs.

The sum of all the drop lines should not, for a particular baud rate, exceed the maximum length L_u .

$L_u < 5$ m cable length for 125 Kbit

$L_u < 2$ m cable length for 250 Kbit

$L_u < 1$ m cable length for 1 Mbit

When used as a drop line, the termination resistor should not be activated.

For a network with 3 encoders and 250 Kbit the maximum length of the drop line/encoder must not exceed 70 cm.

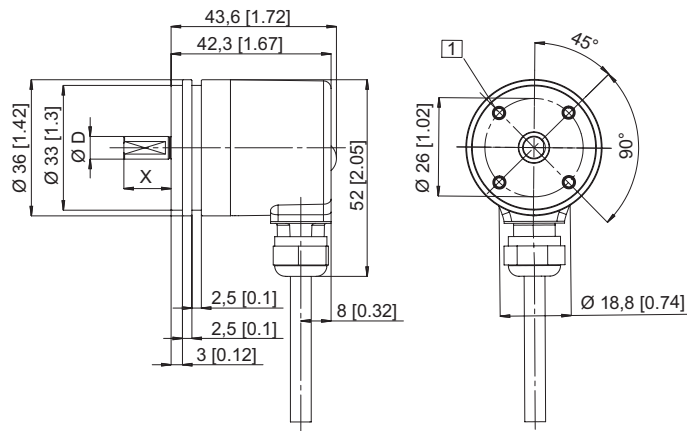
Absolute Encoders - Singleturn

Compact, magnetic **Sendix M3658 / M3678 (Shaft / Hollow shaft)** **CANopen**

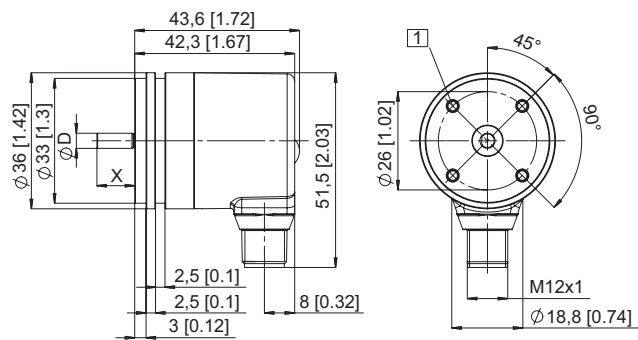
Dimensions shaft version

Synchro flange, \varnothing 36 mm

1 M3, 6 [0.24] deep



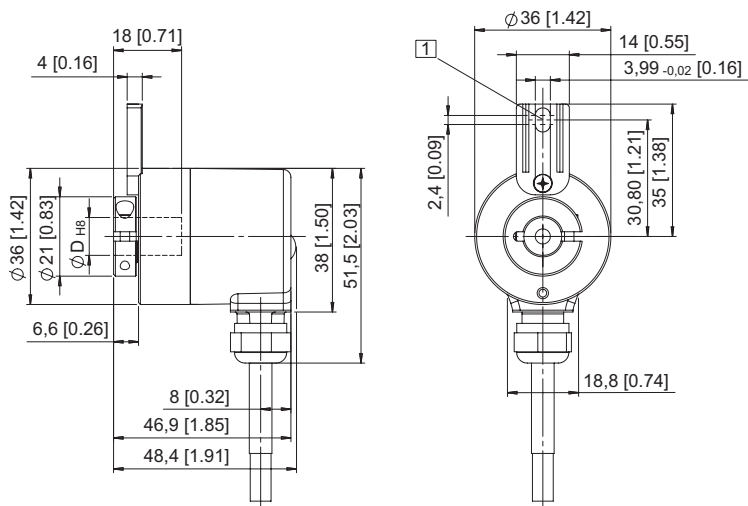
1 M3, 6 [0.24] deep



Dimensions hollow shaft version

With torque stop set, \varnothing 36 mm

1 Torque stop slot,
Recommendation: Cylindrical pin DIN7, \varnothing 4 mm



With stator coupling, \varnothing 36 mm

