

Absolute Encoders – Multiturn

Standard, optical / magnetic

9081 (Large hollow shaft)

SSI / RS485, programmable



The multiturn encoder 9081, with SSI interface and combined optical/ mechanical sensor technology, is also available with additional incremental track or RS485 interface.

This encoder has a through hollow shaft with a diameter up to 28 mm and offers resolutions up to 25 bits.



High rotational speed



-20° +70°

Temperature



High IP value



Shock / vibration resistant



Short-circuit proof



Reverse polarity protection

Optimised dimensions

- Hollow shaft up to max. 28 mm with an installation depth of just 47 mm
- Outer diameter 90 mm

Flexible

- Various torque stops available
- Large selection of hollow shafts, interfaces and resolutions

Absolute Encoders
Multiturn

Order code Hollow shaft

8.9081 . XXXX 2 . XXXX
Type a b c d e

a Flange

- 1 = without mounting aid
- 2 = with short spring device
- 3 = with long spring device
- 4 = with mounting flange
- 5 = with tether arm long

b Hollow shaft

- 1 = ø 12 mm
- 2 = ø 15 mm
- 3 = ø 20 mm
- 4 = ø 24 mm
- 5 = ø 28 mm
- 6 = ø 15,875 mm (5/8")
- 7 = ø 25,4 mm (1")

Further hollow shafts on request

c Interface / Power supply

- 2 = SSI / 5 ... 30 V DC with 4 status outputs
- 3 = RS485, half-duplex / 5 ... 30 V DC internal termination
- 5 = SSI / 5 ... 30 V DC, with incremental tracks A, B, A, B 2048 PPR
- 7 = RS485, half-duplex / 5 ... 30 V DC external termination
- 9 = SSI / 4.75 ... 30 V DC with 2 status outputs and 2 sensor outputs for monitoring the supply voltage on the encoder.

d Type of connection

- 2 = M23 connector, 12 pin, radial without mating connector

e SSI interface ¹⁾

- 2001 = 4096 x 4096 (24 bit), Binary
- 2002 = 8192 x 4096 (25 bit), Binary
- 2003 = 4096 x 4096 (24 bit), Gray
- 2004 = 8192 x 4096 (25 bit), Gray
- RS485-Interface, half-duplex mode
- 3001 = ESC-protocol max. 38400 baud

1) This factory set (default) resolution can be re-programmed by using the Eturn® software.

Absolute Encoders – Multiturn

Standard, optical / magnetic	9081 (Large hollow shaft)	SSI / RS485, programmable
-------------------------------------	----------------------------------	----------------------------------

Mounting accessory for shaft encoders

Coupling	Bellows coupling ø 19 mm for shaft 12 mm	8.0000.1101.1212
-----------------	--	-------------------------

Mounting accessory for hollow shaft encoders

Cylindrical pin, long for torque stops		With fixing thread	8.0010.4700.0000
--	--	--------------------	-------------------------

Connection Technology

Connector, self-assembly (straight)	M23	8.0000.5012.0000
Cordset, pre-assembled with 2 m PVC cable	M23	8.0000.6901.0002.0031

Programming set

including:	<ul style="list-style-type: none"> - Interface converter - Connection cable from interface converter to encoder - Power supply 90 ... 250 V AC - DVD with Ezturn® software 	Minimum System Requirements: Operating system: Windows XP SP3 or higher Win7 in preparation Processor: 1 GHz RAM: 512 MB Required disk space: 500 MB	8.0010.9000.0004
------------	--	--	-------------------------

Further accessories can be found in the Accessories section or in the Accessories area of our website at: www.kuebler.com/accessories.
 Additional connectors can be found in the Connection Technology section or in the Connection Technology area of our website at: www.kuebler.com/connection_technology.

Mechanical characteristics	
Max. speed	6 000 min ⁻¹ , 3 000 min ⁻¹ (continuous)
Rotor moment of inertia	approx. 65 x 10 ⁻⁶ kgm ²
Starting torque	< 0.2 Nm
Weight	approx. 0.7 kg
Protection EN 60 529	IP65
Working temperature range	-20°C ... +70°C
Materials	hollow shaft stainless steel H7
Shock resistance acc. EN 60068-2-27	2500 m/s ² , 6 ms
Vibration resistance acc. EN 60068-2-6	100 m/s ² , 55 ... 2000 Hz

General electrical characteristics	
Power supply (U_B)	5.0 ... 30 V DC ⁴⁾
Power consumption	typ 89 mA no load max 138 mA
Short circuit proof outputs ²⁾	yes ³⁾
Reverse connection U_B	yes
CE compliant acc. to	EN 61000-6-2, EN 61000-6-4, EN 61000-6-3
Performance against magnetic influence acc. to	EN 61000-4-8, Severity level 5
UL-certified	File 224618
RoHS compliant acc. to	EU guideline 2002/95/EG

SSI-Interface	
Output driver	RS485
Permissible load/channel	max. +/- 20 mA
Update rate for position data	ca. 1600/s
SSI clock rate	100 kHz / 500 kHz
Signal level	high typ. 3.8 V low (I _{Load} = 20 mA) typ. 1.3 V
Falling edge time t_f (without cable)	max. 100 ns
Rising edge time t_r (without cable)	max. 100 ns

Control inputs (V/R, SET)	
Voltage	5 ... 30 V DC = U _B
Response time	10 ms
Switching level	low max. 25% U _B high min. 60% U _B , max. U _B
Max. current load	≤ 0.5 mA

Control outputs	
Output driver	Push-Pull
max. current output	± 10.0 mA
Signal level	high min. U _B - 2.8 V low max. 1.8 V
Falling edge time t_f (without cable)	max. 1 µs
Rising edge time t_r (without cable)	max. 1 µs

Incremental outputs (A/B)	
Output driver	RS422-compatible
SSI clock rate min. / max. / Pulse frequency	200 kHz
Signal level	high 4.5 V low (I _{Load} = 20 mA) 0.5 V
Falling edge time t_f (without cable)	max. 200 ns
Rising edge time t_r (without cable)	max. 200 ns

1) For shaft version only (at shaft end)
 2) If supply voltage U_B correctly applied
 3) Only one channel allowed to be shorted-out:
 at U_B = 5 V short circuit to channel, 0 V, or +U_B is permitted.
 at U_B = 5 ... 30 V short circuit to channel or 0 V is permitted.
 4) The supply voltage at the encoder input must not be less than 4.75 V (5 V - 5%)

Absolute Encoders – Multiturn

Standard, optical / magnetic

9081 (Large hollow shaft)

SSI / RS485, programmable

Control inputs

V/R input for change of direction

The encoder can output increasing code values when the shaft is rotated either clockwise or counter-clockwise (when looking from the shaft side).

There are two methods for selecting the appropriate option:

1. Via a hardware configuration of the V/R input BEFORE powering up the encoder
2. By programming the device using the Kübler „EzTurn®“ programming tool.

The following table shows the function selection dependent on hardware and software settings:

Hardware configuration of the V/R input:	Programmed selection using the „EzTurn“ programming tool	Function: increasing code value when the shaft is in the following direction
„low“ (0V) on the V/R input (=cw)	cw	cw
„high“ (+U _B) on the V/R input (= ccw)	cw	ccw
„low“ (0V) on the V/R input (=cw)	ccw	ccw
„high“ (+U _B) on the V/R input (= ccw)	ccw	ccw

SET input

This input is used for a one-time alignment (zeroing) of the encoder immediately after installation. A high control pulse (+UB) applied to this input for a minimum of 10 ms will reset the current encoder position to the pre-programmed setpoint value.

The programming of the setpoint can be carried out with Kübler's Ezturn® programming software or can, on request, be done in advance at the factory. The default value is zero. However any value within the encoder's measuring range can be defined.

Encoder outputs ¹⁾

Output	Default-function ²⁾
A1	battery control
A2	not activated
A3	not activated ³⁾
A4	not activated ³⁾

Functionality of the Ezturn® software

- Setting of the communication parameters
- RS232 encoder/PC interface
- Setting of a drive factor by means of the modification of the resolution per revolution, the number of revolutions and the total resolution
- Programming of the direction of rotation and code type
- Setting of a preset/electronic zero point
- Setting of diagnostic functions
- Setting of the outputs A1 ... A4
 - Limit switch values, max. 2
 - Alarm and status information
 - Battery monitoring
- Limiting max. number of bit to interface with PLCs
- Diagnostics and information for the set-up operation
- Data transmission from the PC to the encoder and inversely, also during operation
- Print-out of the current data and set parameters
- Convenient position output with the current set data
- Terminal operation for direct instructions via the keyboard
- Diagnostics of the encoder connected

Note:

- Any hardware configuration of the V/R input must take place BEFORE powering up the encoder!
- If the V/R input is not configured, then a 0 V configuration will apply (default condition)!
- If the direction of rotation is changed due to the V/R configuration, without activating the SET function again, and if the encoder is also then powered up again, a new position value may be outputted, even if the physical shaft position of the encoder has not moved! This is due to internal conversion processes.
- The start-up procedure for the encoder should therefore follow this sequence:
 1. Determine the count direction of the encoder either via the V/R input or via programming
 2. Apply power to the encoder
 3. Activate the SET function, if desired (see SET input below)
- If using a cable wire to configure the V/R input, then for EMC reasons the wire should not remain open but should be tied either to 0 V or U_B!
- The response time of the V/R input with U_B = 5 ... 30 V DC power supply is 10 ms.

Notes:

- The SET function should only be implemented when the encoder shaft is at rest.
- For the duration of the SET pulse the SSI interface does not function and therefore does not output any valid position values! In order to avoid malfunctions, no SSI clock pulse should occur during the SET pulse.
- If a cable wire is used to configure the SET input, then for EMC reasons the wire should not remain open but should if at all possible be tied to 0 V, provided no SET pulse is triggered!
- The response time of the SET input with +U_B = 5 ... 30 V DC power supply is 10 ms.

The outputs are not activated in the factory setting (default). They can be activated and defined with the optional Ezturn® programming software e.g. limit switch, overspeed and temperature control etc.

1) Not available for versions with incremental track
 2) Programmable with the optional programming software Ezturn®
 3) With the order code Interface 9 assigned to the sense outputs.

Absolute Encoders – Multiturn

Standard, optical / magnetic

9081 (Large hollow shaft)

SSI / RS485, programmable

Terminal assignment (SSI Synchronous Serial interface with 12 pin connector)

Signal	0V	+U _B	+T	-T	+D	-D	ST	VR	A1	A2	A3 ¹⁾	A4 ¹⁾	⊥
Interface 9											0 V sense	+U _B sense	
Pin	1	2	3	4	5	6	7	8	9	10	11	12	PH
Colour	WH	BN	GN	YE	GY	PK	BU	RD	BK	VT	GY / PK	RD / BU	

- T: Clock signal
- D: Data signal
- ST: Set input. The current position is set to zero
- VR: Up/down input. As long as this input is active, decreasing code values are transmitted when shaft
- PH: Plug connector housing

A1, A2, A3, A4: outputs, can be modified using Ezturn
Isolate unused outputs before initial start-up.

1) With the order code Interface 9 these outputs are assigned to the sense outputs. The sensor circuits are internally tied to the power supply. Special power supply units control the voltage drop in long cable runs via the voltage feedback. If the circuits are not being used, then they should be individually isolated and not connected.

Terminal assignment (RS485 interface 12 pin connector)

Signal	0V	+U _B	T/R-	T/R+	Term ³⁾	Term ³⁾		VR					⊥
Pin	1	2	3	4	5	6	7 ²⁾	8	9	10	11	12	PH
Colour	WH	BN	GN	YE				RD					

- R: Receive channel
- T: Transmit channel
- VR: Up/down input. As long as this input (High-Level = + U_B) is active, decreasing code values are transmitted when shaft turning clockwise.
- PH: Plug connector housing

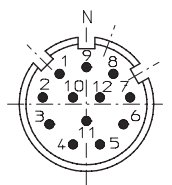
2) There is no SET input for the P3001 version but it can likewise be implemented using the command „<ESC> QP“ (Write preset).

3) For the version with external termination: if the termination is desired (terminating resistor 120 Ohm), then both connections are to be tied together by means of a jumper (0 Ohm).

Terminal assignment (SSI interface with incremental track (A/B))

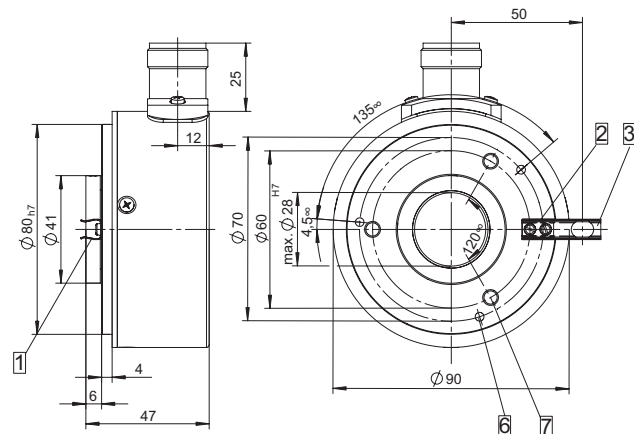
Signal	0V	+U _B	+T	-T	+D	-D	ST	VR	\bar{B}	B	\bar{A}	A	⊥
Pin	1	2	3	4	5	6	7	8	9	10	11	12	PH

Top view of mating side, male contact base



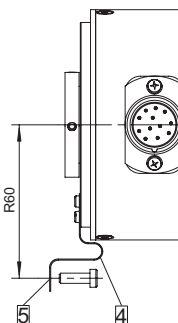
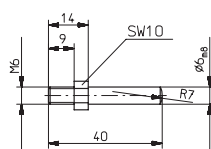
M23 connector, 12 pin

Dimensions



Mounting advice

- 1) The flanges and shafts of the encoder and drive should not both be rigidly coupled together at the same time!
- 2) Delivery includes a corresponding cylindrical pin (see drawing), when the encoder is ordered with flange type 2 (short spring device) or type 3 (long spring device).



- 1) Spring element for cyl. pin DIN 6325, \varnothing 6 mm
- 2) Spring element short (flange Nr.2)
- 3) Spring element long (flange Nr.3)
- 4) Mounting flange (flange Nr.4)
- 5) Slotted hole for screw M4
- 6) M4 - 7 mm deep
- 7) M6 - 10 mm deep