

# 75L Series

75W SINGLE OUTPUT



- ▷ Constant voltage design
- ▷ Low cost, high reliability
- ▷ Wide input range
- ▷ Protections:
  - Overload/Over voltage /Short circuit
- ▷ 100% full load burn-in test
- ▷ Suitable for LED lighting and industrial applications
- ▷ Safety standards :
  - EN60950-1/K61347-1,K61347-2-13
- ▷ EMC standards :
  - K00015,K61547,K61000-4-2,3,4,5,6,11
- ▷ 2years warranty

CB CE

ITEM		UP75S12L	UP75S24L
INPUT	VOLTAGE RANGE	AC90~264V	
	FREQUENCY RANGE	47~63Hz	
	EFFICIENCY(typ.)	80%	83%
	AC CURRENT(typ.)	1.15A/115VAC	0.65A/230VAC
	INRUSH CURRENT(typ.)	COLD START 40A/230VAC	
	LEAKAGE CURRENT	<2.5mA / 230VAC	
OUTPUT	DC VOLTAGE	12V	24V
	RATED CURRENT	6.3A	3.2A
	RATED POWER	75W	75W
	RIPPLE&NOISE(max.) Note2	170mVp-p	290mVp-p
	VOLTAGE ADJ. RANGE	±5%	±5%
	VOLTAGE TOLERANCE Note3	±3%	±3%
	LINE REGULATION Note4	±1%	±1%
	LOAD REGULATION Note5	±2%	±2%
	SETUP,RISE TIME(typ.)	700ms,45ms/115VAC at full load	700ms,45ms/230VAC at full load
	HOLD UP TIME(typ.)	15ms/115VAC at full load	90ms/230VAC at full load
PROTEC-TION	SHORT CIRCUIT	Hiccup mode ; recovers automatically after fault condition is removed	
	OVERLOAD	Over 110% of rating ; recovers automatically after fault condition is removed	
	OVER VOLTAGE	115~140% of rating	
ISOLA-TION	WITHSTAND VOLTAGE	I/P-O/P:AC3KV, I/P-F.G:AC1.5KV, O/P-F.G:AC0.5KV	
	ISOLATION RESISTANCE	I/P-O/P, I/P-F.G, O/P-F.G:DC500V 100Mohms(At room temp. & humid.)	
ENVIRON-MENT	WORKING TEMP.&HUMID.	-20~+60℃ ( Refer to "DERATING CURVE" ),20~95%RH	
	STORAGE TEMP.&HUMID.	-30~+75℃,10~95%RH	
	VIBRATION	10~500Hz, 2G 10min./1cycle, period for 60min. each along X, Y, Z axes	
OTHERS	DIMENSION	159*97.5*38mm(L*W*H)	
	WEIGHT	0.42Kg	

**NOTE**

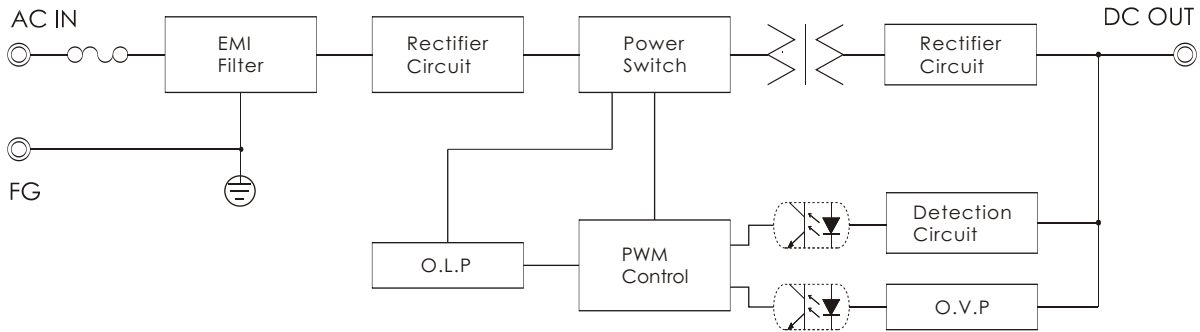
1. All parameters not specially mentioned are measured at 220vac input, rared load and 25℃ of ambient temperature.
2. Ripple & noise are measured at 20MHZ of bandwidth by using a 12" twisted pare-wire terminated with 0.1 uF & 47uF parallel capacitor.
3. Tolerance : includes set up tolrance, line regulation and load regulation.
4. Line regulation is measured from low line to high line at rated load.
5. Load regulation is measured from low 0% to 100% rated load.

S.M.P.S

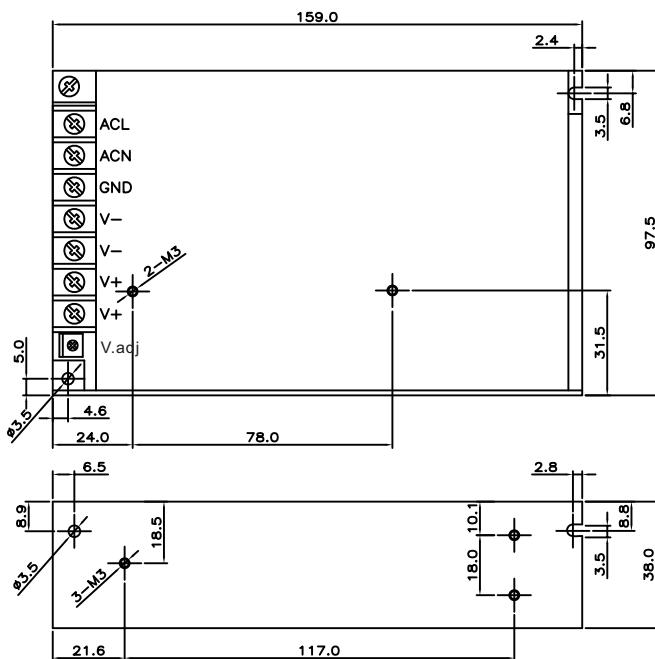
Enclosed Switching Power Supply

Low Cost Type

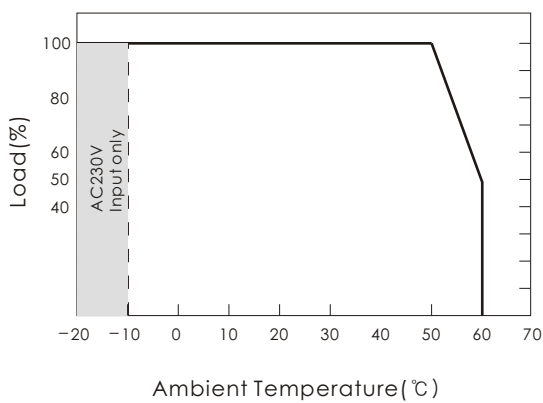
■ BLOCK DIAGRAM



■ DIMENSIONS(unit:mm)



■ DERATING CURVE



■ STATIC CHARACTERISTICS

