

30F Series

30W single output
with constant voltage circuit



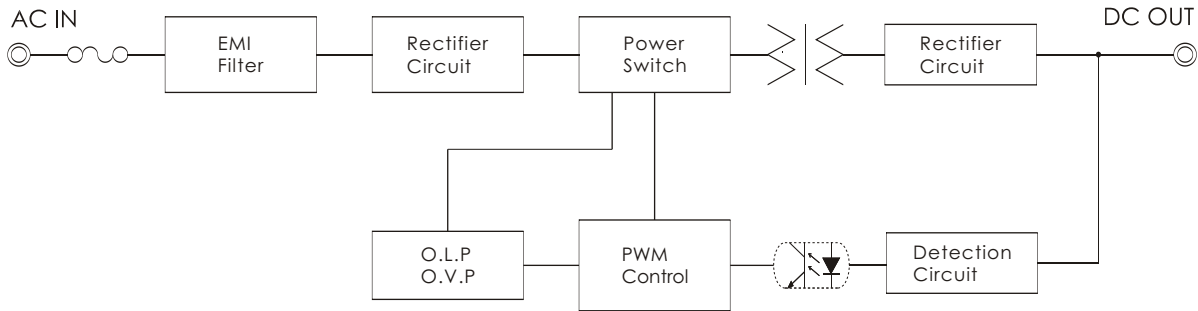
- Constant voltage design(C.V. mode)
- Wide input range
- Protections:
Overload/Over voltage /Short circuit
- IP62 design for indoor installations
- 100% full load burn-in test
- Suitable for LED lighting and LED electrical display applications
- Plastic case
- Safety standards :
EN61347-1,EN61347-2-13/K61347-1, K61347-2-13
- EMC standards :
K00015,K61547,K61000-4-2, 3,4,5,6,11
- 3years warranty

IP62 SELV LPS CB CE

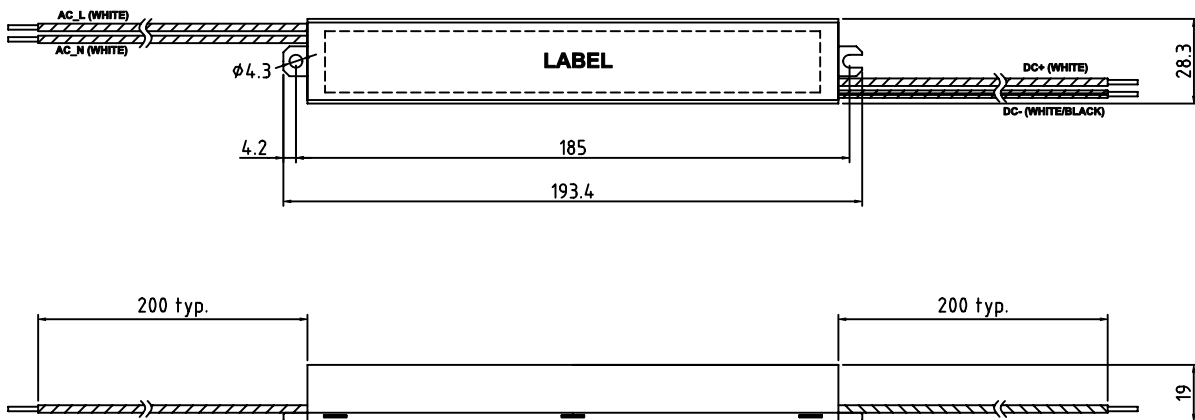
ITEM		UP30S12F	UP30S24F
INPUT	VOLTAGE RANGE <small>Note2</small>	AC90~264V	
	FREQUENCY RANGE	47~63Hz	
	EFFICIENCY(typ.)	83%	83%
	AC CURRENT(typ.)	0.47A/115VAC 0.27A/230VAC 0.65A	
	INRUSH CURRENT(typ.)	COLD START 60A/230VAC	
OUTPUT	DC VOLTAGE	12V	24V
	RATED CURRENT	2.5A	1.25A
	RATED POWER	30W	30W
	RIPPLE&NOISE(max.) <small>Note3</small>	170mVp-p	290mVp-p
	VOLTAGE ADJ. RANGE	±5%	±5%
	VOLTAGE TOLERANCE <small>Note4</small>	±3%	±3%
	LINE REGULATION <small>Note5</small>	±1%	±1%
	LOAD REGULATION <small>Note6</small>	±2%	±2%
	SETUP,RISE TIME(typ.)	1300ms,30ms/115VAC at full load	600ms,30ms/230VAC at full load
HOLD UP TIME(typ.)	10ms/115VAC at full load	40ms/230VAC at full load	
PROTEC-TION	SHORT CIRCUIT	Hiccup mode ; recovers automatically after fault condition is removed	
	OVERLOAD	Over 110% of rating ; recovers automatically after fault condition is removed	
	OVER VOLTAGE	115~140% of rating	
ISOLA-TION	WITHSTAND VOLTAGE	I/P-O/P:AC3.75KV	
	ISOLATION RESISTANCE	I/P-O/P:DC500V 100Mohms(At room temp. & humid.)	
ENVIRON-MENT	WORKING TEMP.&HUMID.	-30~+70℃(Refer to "DERATING CURVE"),20~95%RH	
	STORAGE TEMP.&HUMID.	-40~+80℃,10~95%RH	
	VIBRATION	10~500Hz, 2G 10min./1cycle, period for 60min. each along X, Y, Z axes	
OTHERS	DIMENSION	193.4*28.3*19mm(L*W*H)	
	WEIGHT	0.13Kg	

- NOTE**
1. All parameters not specially mentioned are measured at 220vac input, rared load and 25℃ of ambient temperature.
 2. Refer to "STATIC CHARACTERISTICS".
 3. Ripple & noise are measured at 20MHz of bandwidth by using a 12" twisted pare-wire terminated with 0.1 uF & 47uF parallel capacitor.
 4. Tolerance : includes set up tolrance, line regulation and load regulation.
 5. Line regulation is measured from low line to high line at rated load.
 6. Load regulation is measured from low 0% to 100% rated load.

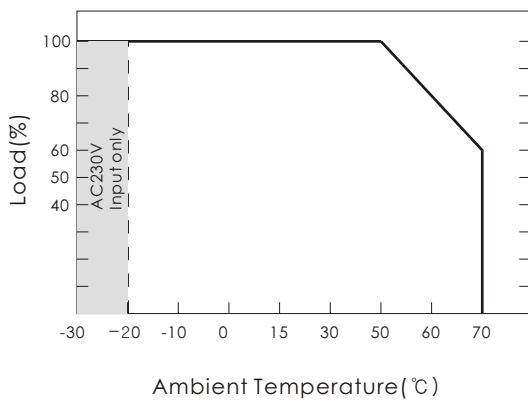
■ BLOCK DIAGRAM



■ DIMENSIONS(unit:mm)



■ DERATING CURVE



■ STATIC CHARACTERISTICS

