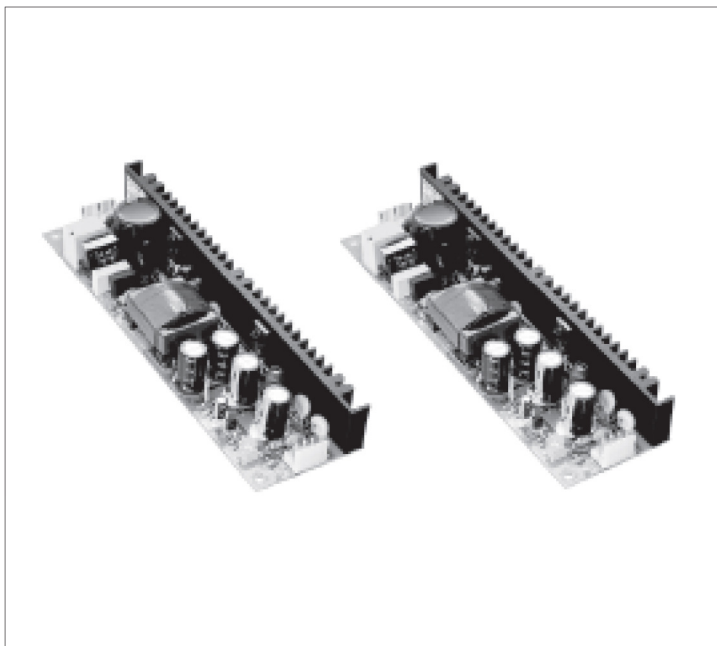


50SN Series



50W 1-Channel Non-Cover

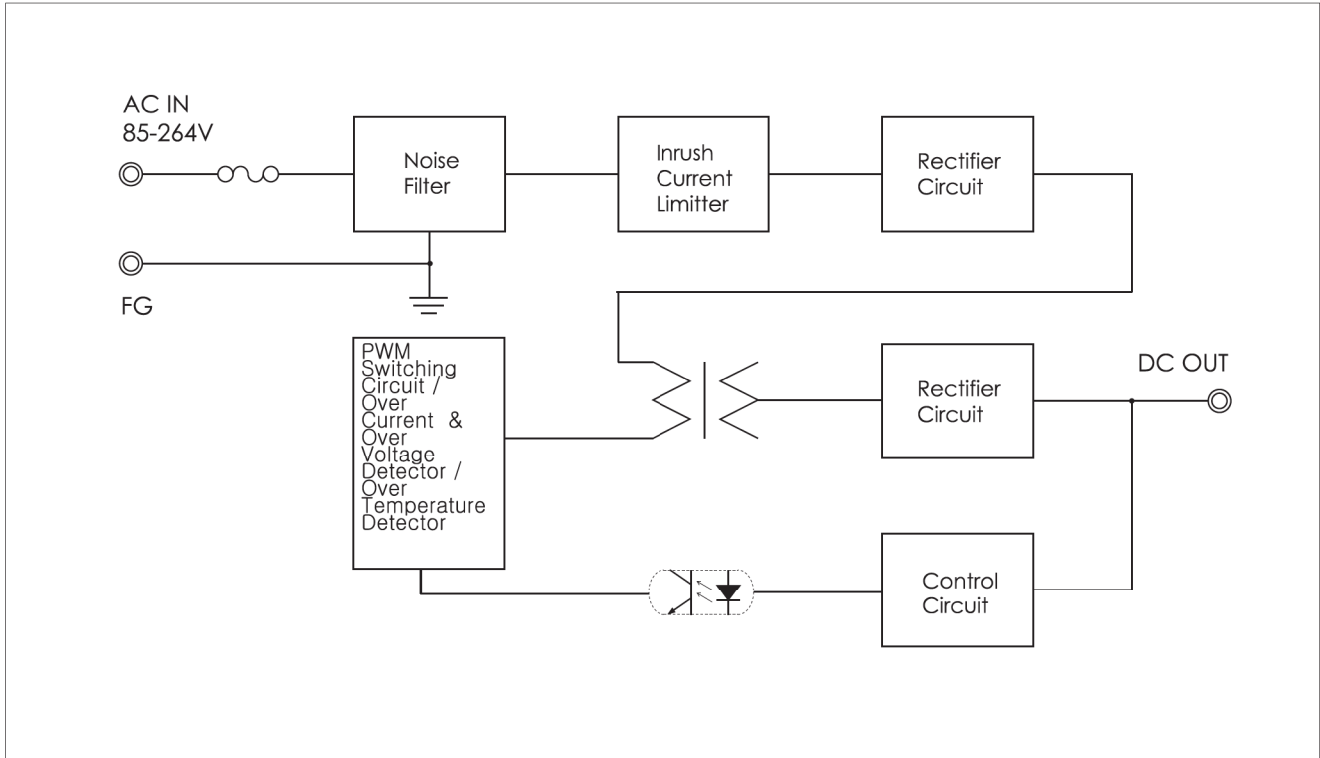
- **5V10A/9V5.5A/12V4.1A/
15V3.3A/24V2A/36V1.3A/
48V1A Output**
- **Wide Input Voltage Range
(AC85-264V)**
- **Built-in Inrush Current
Limiter, Over Current
Protector and Over
Voltage Protector**
- **Over Temperature
Protection**
- **Auto-Restart Mode**

SPECIFICATIONS

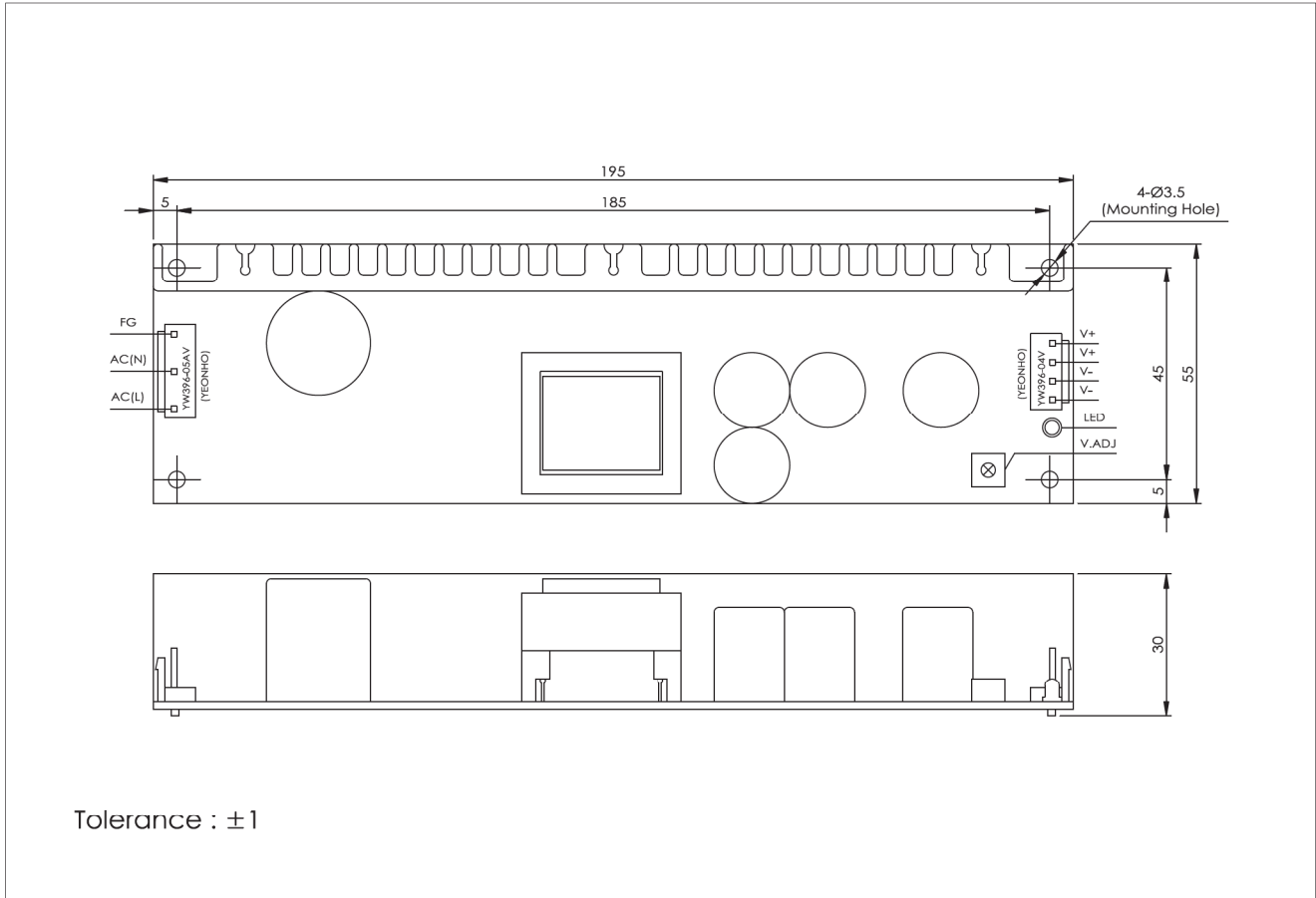
Item		UP50S05N	UP50S09N	UP50S12N	UP50S15N	UP50S24N	UP50S36N	UP50S48N
INPUT	VOLTAGE	AC85~264V						
	FREQUENCY	50/60Hz(47~63Hz)						
	EFFICIENCY	70% Typ	75% Typ	80% Typ	80% Typ	83% Typ	83% Typ	85% Typ
	INRUSH CURRENT	20A Typ(ACIN 110V, Io=100%)/ 40A Typ(ACIN 220V, Io=100%) at cold start						
OUTPUT	VOLTAGE [V]	5	9	12	15	24	36	48
	CURRENT [A]	10.0	5.5	4.1	3.3	2.0	1.3	1.0
	LINE REGULATION [mV]	25 Max	45 Max	60 Max	75 Max	120 Max	180 Max	240 Max
	LOAD REGULATION [mV]	50 Max	90 Max	120 Max	150 Max	240 Max	360 Max	480 Max
	RIPPLE [mVp-p]	50 Max	90 Max	120 Max	150 Max	240 Max	360 Max	480 Max
	RIPPLE NOISE [mVp-p]	100 Max	140 Max	170 Max	200 Max	290 Max	410 Max	530 Max
	TEMPERATURE DRIFT,0-50°C [mV]	50 Max	90 Max	120 Max	150 Max	240 Max	360 Max	480 Max
	RISE TIME [msec]	100 Max (ACIN 85V, Io=100%)						
	HOLDING TIME [msec]	10 Typ (ACIN 85V, Io=100%)						
PROTEC-TION	OVER CURRENT PROTECTION	Works at over 110% of rating and recovers automatically						
	OVER VOLTAGE PROTECTION	Works at over 115~140% of rating						
ISOLAT-ION	INPUT-OUTPUT	AC3,000V for 1 minute, DC500V 100Mohm (At room temp. & humid.)						
	INPUT-CASE, FG	AC1,500V for 1 minute, DC500V 100Mohm (At room temp. & humid.)						
	OUTPUT-CASE	AC500V for 1 minute, DC500V 100Mohm (At room temp. & humid.)						
ENVIRON-MENT	OPERATING TEMP. & HUMID.	0~+50°C, 20~90%RH (Non condensing)						
	STORAGE TEMP. & HUMID.	-20~+75°C, 20~90%RH (Non condensing)						
	VIBRATION	10~55Hz at 1G 3 minutes period, 30 minutes along X, Y and Z axis						
	IMPACT	10G for 20 msec, Once on each X, Y and Z axis						
	APPROVALS							

50SN Series

BLOCK DIAGRAM



DIMENSIONS(UNITS : MM)



Tolerance : ±1

S.M.P.S