

220S Series



220W 1-Channel

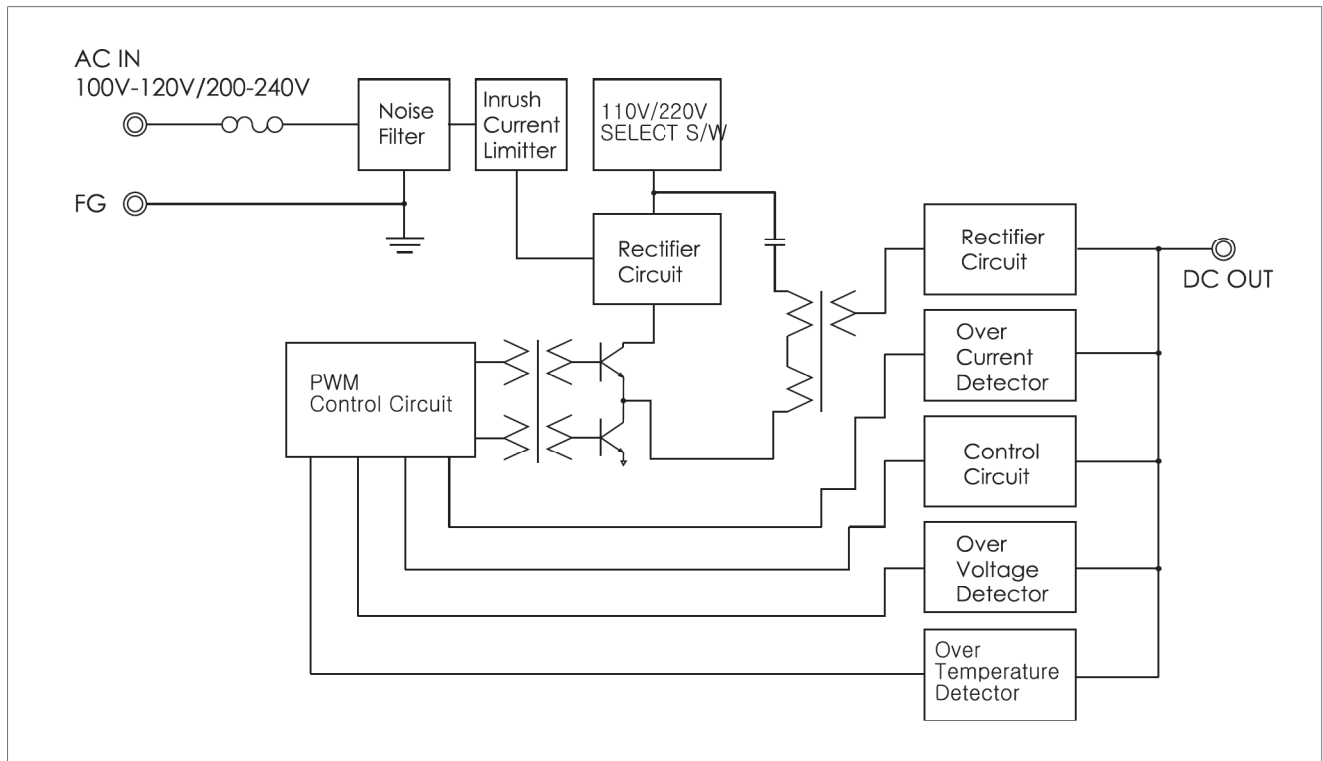
- **5V44A/12V18.3A/15V14.6A/24V9.1A/36V6.1A/48V4.5A Output**
- **Dual Input Voltage Range (AC100-120V/AC200-240V)**
- **Built-in Inrush Current Limiter, Over Current Protector and Over Voltage Protector**
- **Over Temperature Protection**
- **Approved by EN 60950-1 CE**

SPECIFICATIONS

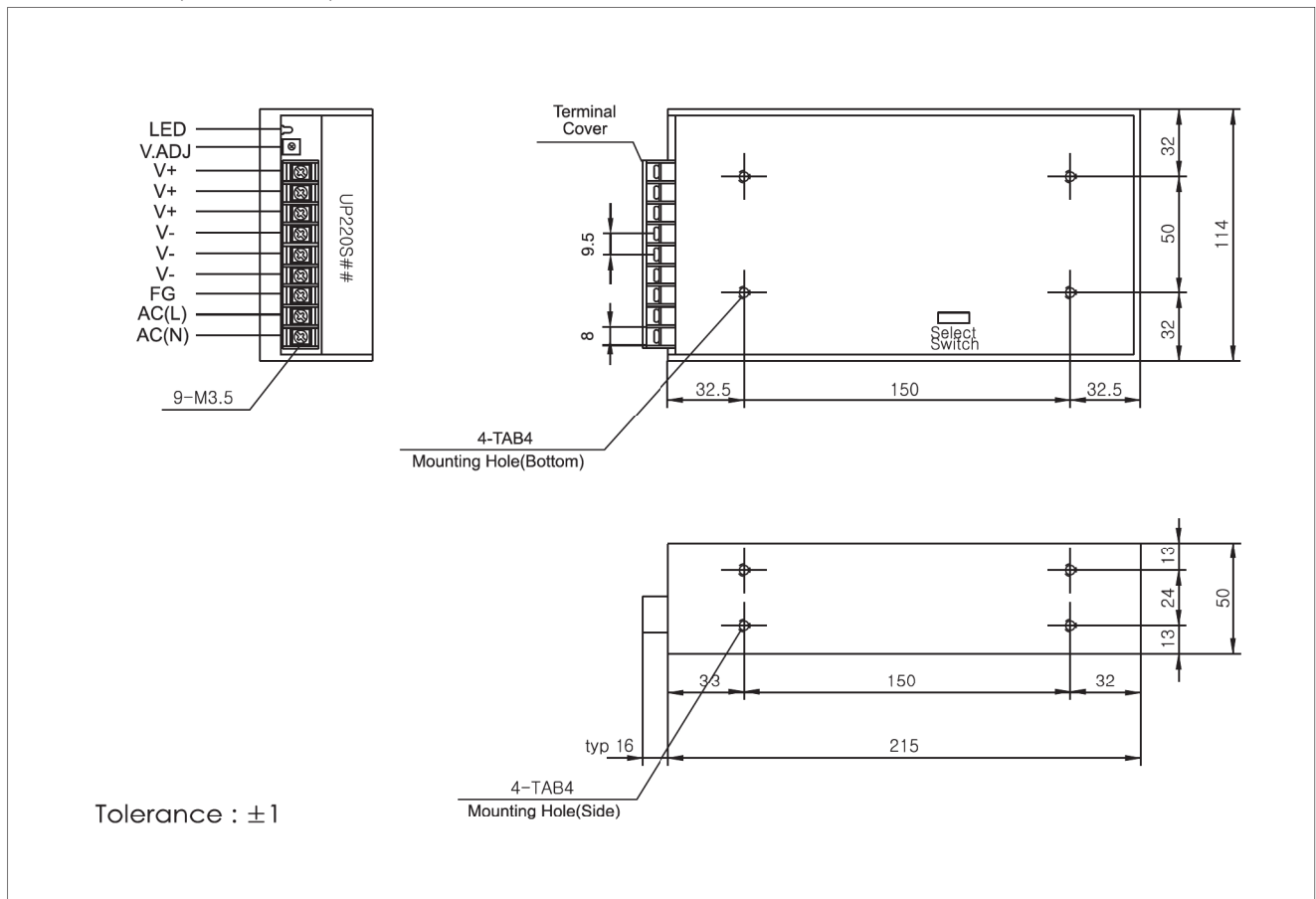
| Item | | UP220S05 | UP220S12 | UP220S15 | UP220S24 | UP220S36 | UP220S48 | |
|---------------------|---------------------------------|---|-------------|-------------|------------|------------|--|--|
| INPUT | VOLTAGE | AC100~120V/200~240V | | | | | 4.4A typ (ACIN 110V, Io=100%) 2.2A typ (ACIN 220V, Io=100%) | |
| | FREQUENCY | 50/60Hz(47~63Hz) | | | | | | |
| | EFFICIENCY | 80% Typ | 82% Typ | 82% Typ | 85% Typ | 85% Typ | 85% Typ | |
| | INRUSH CURRENT | 20A Typ(ACIN 110V, Io=100%)/40A Typ(ACIN 220V, Io=100%) at cold start | | | | | | |
| OUTPUT | VOLTAGE [V] | 5 | 12 | 15 | 24 | 36 | 48 | |
| | CURRENT [A] | 44.0 | 18.3 | 14.6 | 9.1 | 6.1 | 4.5 | |
| | LINE REGULATION [mV] | 25 Max | 60 Max | 75 Max | 120 Max | 180 Max | 240 Max | |
| | LOAD REGULATION [mV] | 50 Max | 120 Max | 150 Max | 240 Max | 360 Max | 480 Max | |
| | RIPPLE [mVp-p] | 50 Max | 120 Max | 150 Max | 240 Max | 360 Max | 480 Max | |
| | RIPPLE NOISE [mVp-p] | 100 Max | 170 Max | 200 Max | 290 Max | 410 Max | 530 Max | |
| | TEMPERATURE DRIFT,0-50°C [mV] | 50 Max | 120 Max | 150 Max | 240 Max | 360 Max | 480 Max | |
| | RISE TIME [msec] | 600 Max (ACIN 100V/200V, Io=100%) | | | | | | |
| HOLDING TIME [msec] | 15 Typ(ACIN 100V/200V, Io=100%) | | | | | | | |
| PROTECTION | OVER CURRENT PROTECTION | Works at over 110% of rating and recovers automatically | | | | | | |
| | OVER VOLTAGE PROTECTION | Works at 115~140% of rating | | | | | | |
| ISOLATION | INPUT-OUTPUT | AC3,000V for 1 minute, DC500V 100Mohm (At room temp. & humid.) | | | | | | |
| | INPUT-CASE, FG | AC1,500V for 1 minute, DC500V 100Mohm (At room temp. & humid.) | | | | | | |
| | OUTPUT-CASE | AC500V for 1 minute, DC500V 100Mohm (At room temp. & humid.) | | | | | | |
| ENVIRONMENT | OPERATING TEMP. & HUMID. | -10~+50°C, 20~90%RH(Non condensing) | | | | | | |
| | STORAGE TEMP. & HUMID. | -20~+75°C, 20~90%RH(Non condensing) | | | | | | |
| | VIBRATION | 10~55Hz at 1G 3 minutes period, 30 minutes along X, Y and Z axis | | | | | | |
| | IMPACT | 10G for 20 msec, Once on each X, Y and Z axis | | | | | | |
| | APPROVALS | CE | CE | CE | CE | | | |

220S Series

BLOCK DIAGRAM



DIMENSIONS(UNITS : MM)



S.M.P.S