

400S Series



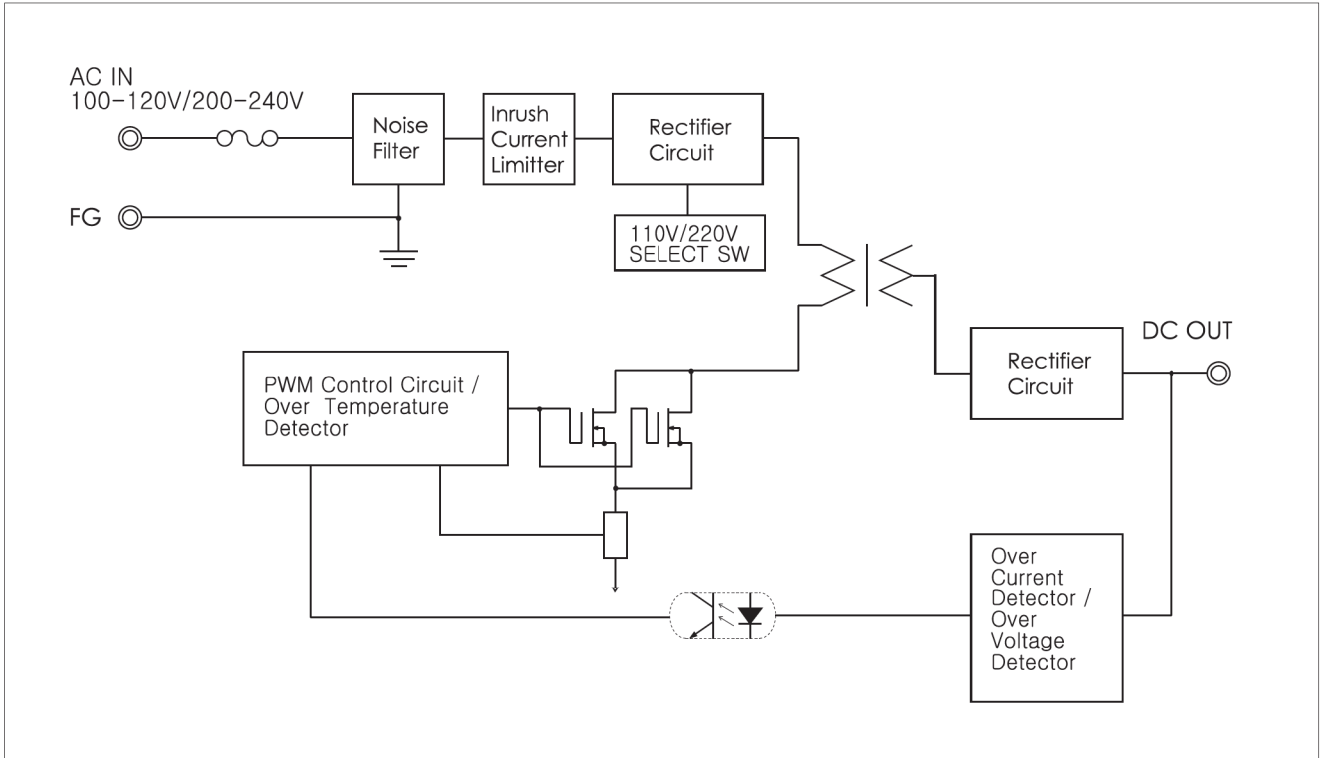
400W 1-Channel

- **5V80A/12V33.3A/
24V16.6A/36V11.1A/
48V8.3A Output**
- **Dual Input Voltage Range
(AC100-120V/AC200-240V)**
- **Built-in Inrush Current
Limiter, Over Current
Protector and Over
Voltage Protector**
- **Over Temperature
Protection**
- **Approved by EN 60950-1 CE**

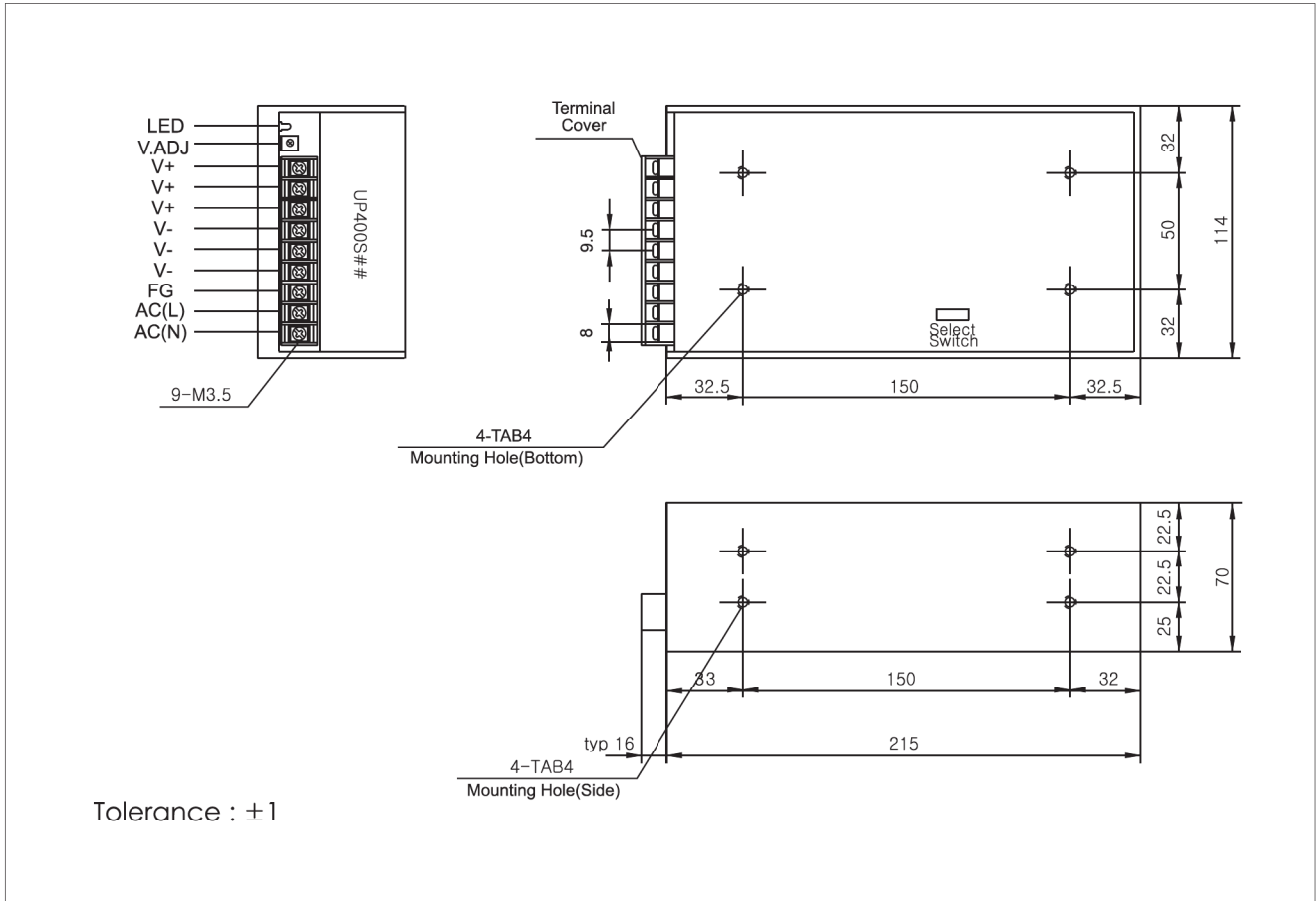
SPECIFICATIONS

Item		UP400S05	UP400S12	UP400S24	UP400S36	UP400S48
INPUT	VOLTAGE	AC100~120V/200~240V			10 Typ (ACIN 110V, Io=100%) 5 Typ (ACIN 220V, Io=100%)	
	FREQUENCY	50/60Hz(47~63Hz)				
	EFFICIENCY	75% Typ	78% Typ	82% Typ	85% Typ	85% Typ
	INRUSH CURRENT	25A Typ(ACIN 110V, Io=100%)/50A Typ(ACIN 220V, Io=100%) at cold start				
OUTPUT	VOLTAGE [V]	5	12	24	36	48
	CURRENT [A]	80.0	33.3	16.6	11.1	8.3
	LINE REGULATION [mV]	25 Max	60 Max	120 Max	180 Max	240 Max
	LOAD REGULATION [mV]	50 Max	120 Max	240 Max	360 Max	480 Max
	RIPPLE [mVp-p]	50 Max	120 Max	240 Max	360 Max	480 Max
	RIPPLE NOISE [mVp-p]	100 Max	170 Max	290 Max	410 Max	530 Max
	TEMPERATURE DRIFT,0-50°C [mV]	50 Max	120 Max	240 Max	360 Max	480 Max
	RISE TIME [msec]	1500 Max (ACIN 100V/200V, Io=100%)				
HOLDING TIME [msec]	20 Typ(ACIN 100V/200V, Io=100%)					
PROTEC-TION	OVER CURRENT PROTECTION	Works at over 110% of rating and recovers automatically				
	OVER VOLTAGE PROTECTION	Works at 115~140% of rating				
ISOLAT-ION	INPUT-OUTPUT	AC3,000V for 1 minute, DC500V 100Mohm (At room temp. & humid.)				
	INPUT-CASE, FG	AC1,500V for 1 minute, DC500V 100Mohm (At room temp. & humid.)				
	OUTPUT-CASE	AC500V for 1 minute, DC500V 100Mohm (At room temp. & humid.)				
ENVIRON-MENT	OPERATING TEMP. & HUMID.	-10~+50°C, 20~90%RH(Non condensing)				
	STORAGE TEMP. & HUMID.	-20~+75°C, 20~90%RH(Non condensing)				
	VIBRATION	10~55Hz at 1G 3 minutes period, 30 minutes along X, Y and Z axis				
	IMPACT	10G for 20 msec, Once on each X, Y and Z axis				
	APPROVALS		CE	CE	CE	CE

BLOCK DIAGRAM



DIMENSIONS(UNITS : MM)



S.M.P.S