

650S Series



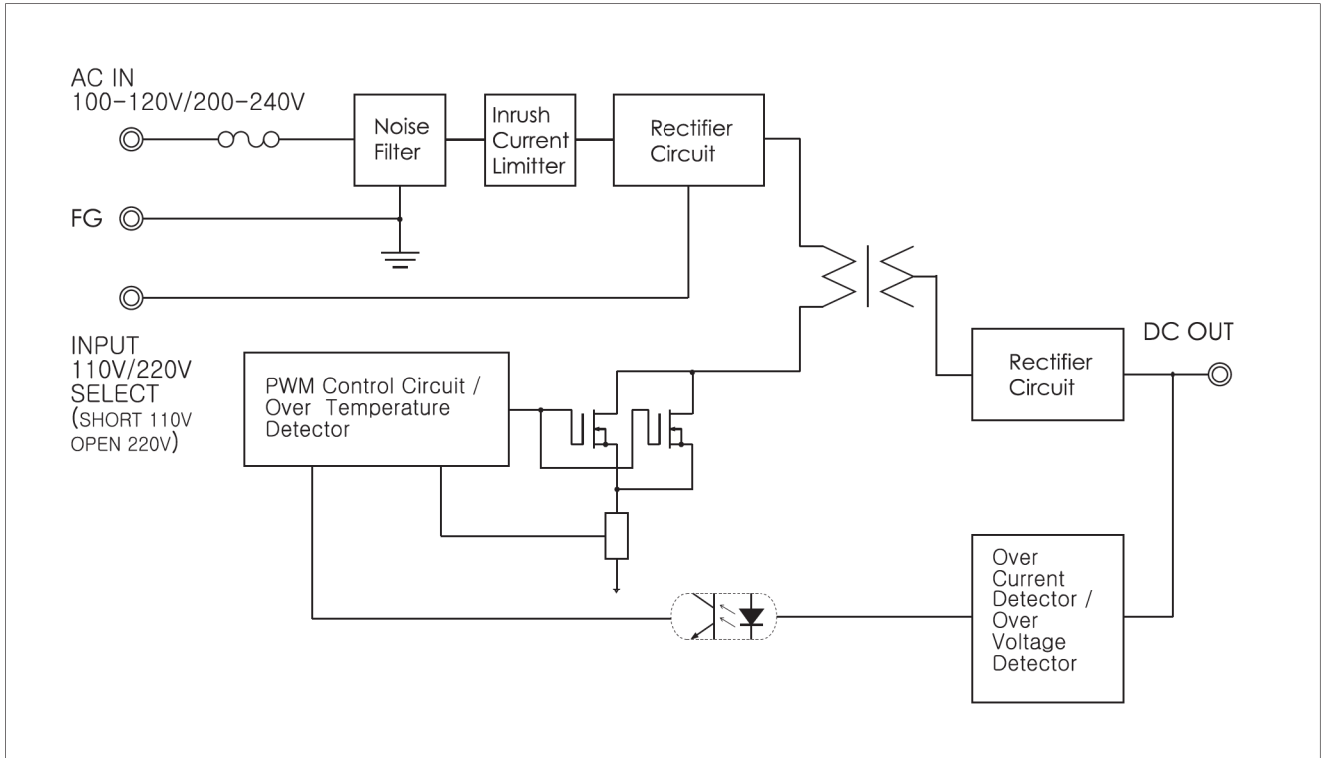
650W 1-Channel

- **5V130A/12V54.1A/24V27A/28V23.2A/36V18A/48V13.5A Output**
- **Dual Input Voltage Range (AC100-120V/AC200-240V)**
- **Built-in Inrush Current Limiter, Over Current Protector and Over Voltage Protector**
- **Built-in Over Temperature Protection**
- **Approved by EN 60950-1 CE**

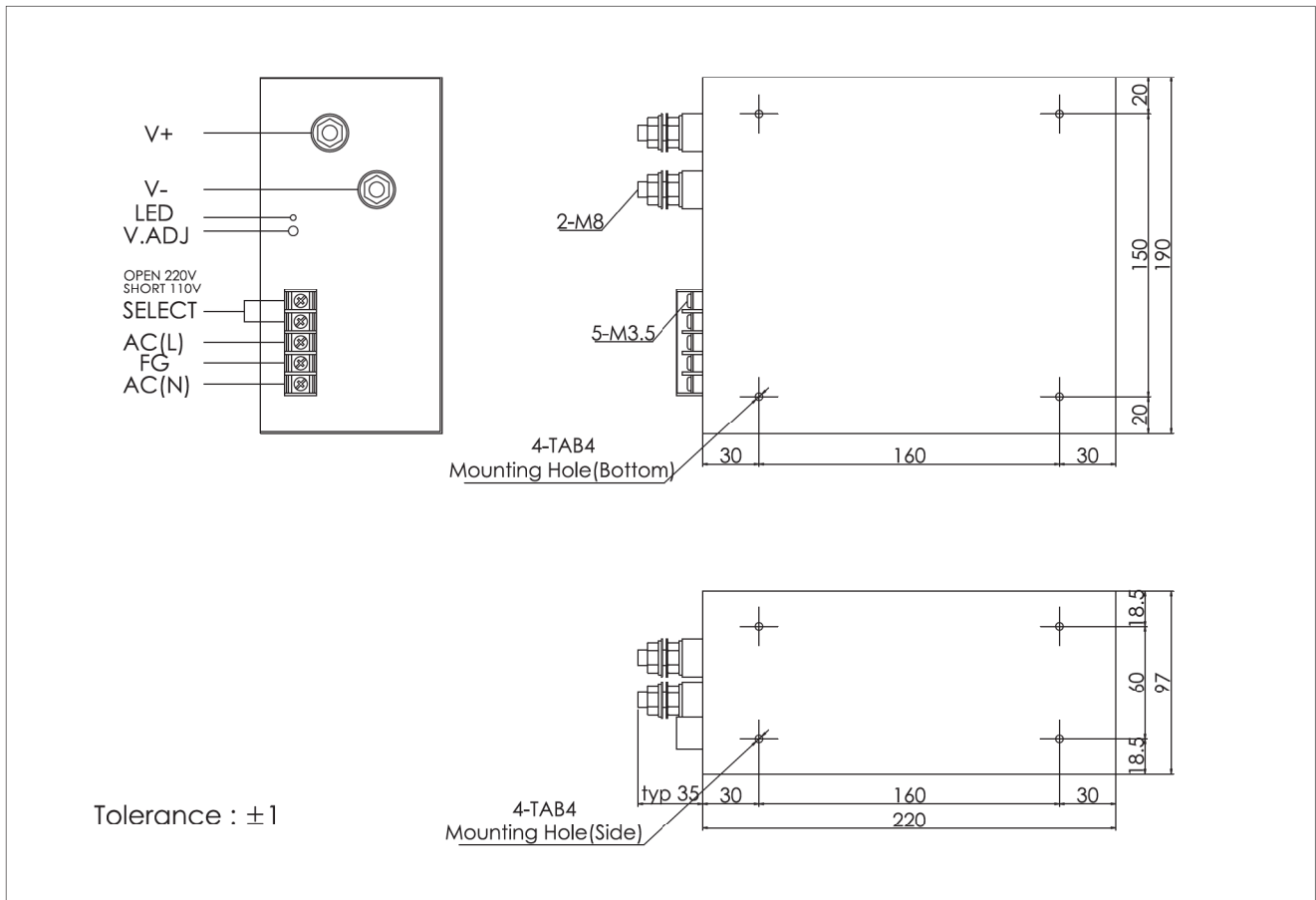
SPECIFICATIONS

Item		UP650S05	UP650S12	UP650S24	UP650S28	UP650S36	UP650S48
INPUT	VOLTAGE	AC100~120V/200~240V 15A typ (ACIN 110V, Io=100%) 7.5A typ (ACIN 220V, Io=100%)					
	FREQUENCY	50/60Hz(47~63Hz)					
	EFFICIENCY	75% Typ	78% Typ	82% Typ	83% Typ	85% Typ	85% Typ
	INRUSH CURRENT	25A Typ(ACIN 110V, Io=100%)/ 50A Typ(ACIN 220V, Io=100%) at cold start					
OUTPUT	VOLTAGE [V]	5	12	24	28	36	48
	CURRENT [A]	130.0	54.1	27.0	23.2	18.0	13.5
	LINE REGULATION [mV]	25 Max	60 Max	120 Max	140 Max	180 Max	240 Max
	LOAD REGULATION [mV]	50 Max	120 Max	240 Max	280 Max	360 Max	480 Max
	RIPPLE [mVp-p]	50 Max	120 Max	240 Max	280 Max	360 Max	480 Max
	RIPPLE NOISE [mVp-p]	100 Max	170 Max	290 Max	330 Max	410 Max	530 Max
	TEMPERATURE DRIFT,0-50°C [mV]	50 Max	120 Max	240 Max	280 Max	360 Max	480 Max
	RISE TIME [msec]	1,500 Max (ACIN 100V/200V, Io=100%)					
	HOLDING TIME [msec]	20 Typ(ACIN 100V/200V, Io=100%)					
PROTEC-TION	OVER CURRENT PROTECTION	Works at over 110% of rating and recovers automatically					
	OVER VOLTAGE PROTECTION	Works at 115~140% of rating					
ISOLAT-ION	INPUT-OUTPUT	AC3,000V for 1 minute, DC500V 100Mohm (At room temp. & humid.)					
	INPUT-CASE, FG	AC1,500V for 1 minute, DC500V 100Mohm (At room temp. & humid.)					
	OUTPUT-CASE	AC500V for 1 minute, DC500V 100Mohm (At room temp. & humid.)					
ENVIRON-MENT	OPERATING TEMP. & HUMID.	-10~+50°C, 20~90%RH(Non condensing)					
	STORAGE TEMP. & HUMID.	-20~+75°C, 20~90%RH(Non condensing)					
	VIBRATION	10~55Hz at 1G 3 minutes period, 30 minutes along X, Y and Z axis					
	IMPACT	10G for 20 msec, Once on each X, Y and Z axis					
	APPROVALS		CE	CE		CE	CE

BLOCK DIAGRAM



DIMENSIONS(UNITS : MM)



S.M.P.S