

Standard Timers – HB 26



- 6-digit hour meter with reset
- High shock and impact resistance
- Magnified figures; 4.5 mm [0.177"] high
- Data retention if power is lost
- Long service life
- Plug-in versions

Applications:

General counting, service intervals for measuring devices (respiratory ventilators, oxygen, dialysis), small appliances, UV lamps, display panels in vehicles.

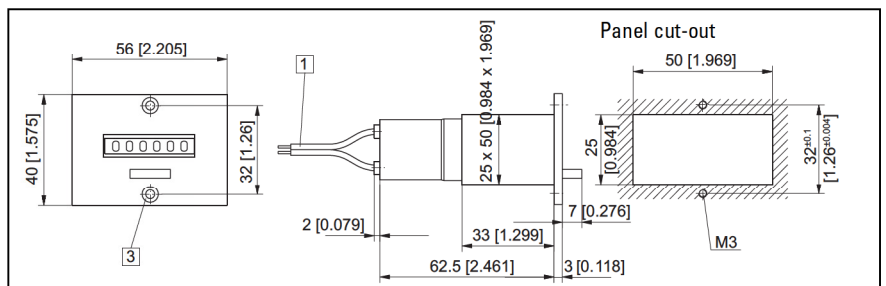


Technical data:

Electrical connection:	cable: 2 x 0.5 mm ² [0.00077 square yards], NYFAZ, 0.5 m [0.547 yards] long AC: grey/grey, DC: red +, black – type HB 26.01.3 round pins (can be plugged into socket box 945.2)	
Power consumption:	10 ... 30 V DC:	approx. 500 mW
	36 ... 80 V DC:	approx. 900 mW
	100 ... 130 V DC:	approx. 750 mW
	20 ... 30 V AC:	approx. 0.3 VA
	42 ... 48 V AC:	approx. 0.25 VA
	100 ... 130 V AC:	approx. 0.6 VA
	187 ... 264 V AC:	approx. 1.2 VA
	360 ... 440 V AC:	approx. 1.65 VA
Rated voltages:	20 ... 30/42 ... 48/100 ... 130/187 ... 264/ 360...440 V AC, 50 or 60 Hz, 10 ... 30/36 ... 80/100 ... 130 V DC	
Display:	DC: 99999.9 h, AC: 9999.99 h	
Accuracy:	AC: Supply frequency + 30 ms DC: < 0.003 % (24 h)	
Height of figures:	4.5 mm [0.177"]	
Colour of figures:	white and red on black	
Ambient temperature:	–15° ... +50 °C [5 ... 122 °F]	
Mounting position:	any	
Protection:	IP 41 front side flexible sealing cover K1: IP 54 (front) transparent cover Dv U. Dvs: IP 55 (front)	
Housing:	plastic	

Weight:	approx. 45 g [1.587 oz]	
Options:	different voltages extended temperature range on request key-locking 0-reset: Art-No.: 3.160.XX7.XXX flat pin 0.8 x 6.3 mm [0.032 x 0.248"] without flat pin Art-No.: .168.X11.XXX flat pin 0.8 x 2.8 mm [0.032 x 0.11"] with socket box Art-No.: 3.167.X.11.XXX	
Accessories:	socket box 945.2 Art-No.: G.008.434 sealing cover K1 black Art-No.: G.008.301 only for front panel 3 50 x 60	
Front bezel:	F1B beige Art-No.: G.007.501 F1B black Art-No.: G.007.502	
Dummy housing:	25 x 50 mm [0.984 x 1.969"] black: Art-No.: T.005.753	

HB 26.11



HB 26.21 vs

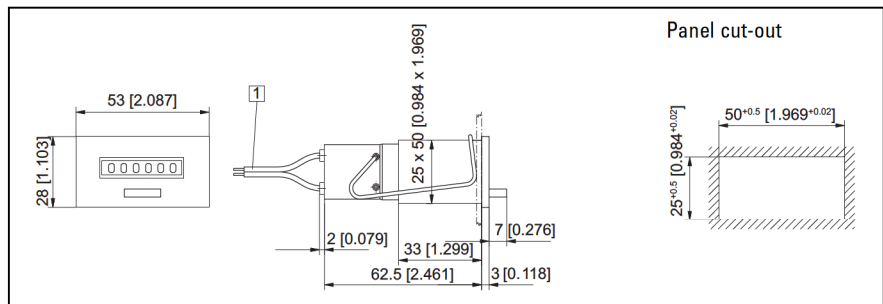


Voltage	Art-No. (AC), 50 Hz	Art-No. (AC), 60 Hz	Art-No. (V DC)
10 ... 30			3.160.111.351*
20 ... 30	3.160.111.071	3.160.111.081	
36 ... 80			3.160.111.353
42 ... 48	3.160.111.072	3.160.111.082	
100 ... 130	3.160.111.074	3.160.111.084	3.160.111.381
187 ... 264	3.160.111.075*	3.160.111.085	
360 ... 440	3.130.111.079	3.160.111.089	

- 1 Connection cable, 2 x 0.5 mm² [0.00077 square yards], NYFAZ, 0.5 m long
- 3 Countersunk Af3, DIN 74

Standard Timers – HB 26

HB 26.21



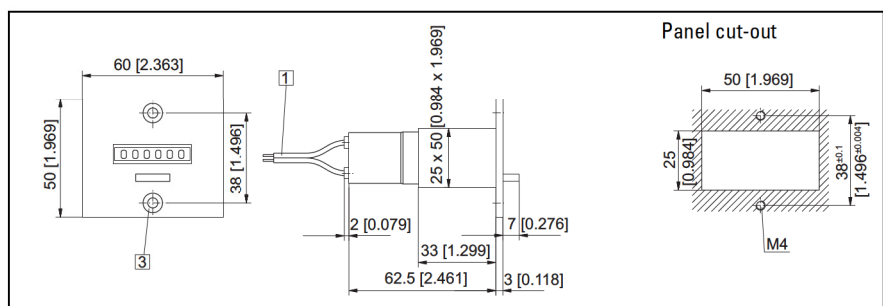
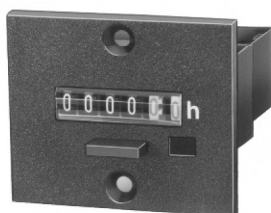
Voltage	Art-No. (AC), 50 Hz	Art-No. (AC), 60 Hz	Art-No. (V DC)
10 ... 30			3.160.211.351*
20 ... 30	3.160.211.071	3.160.211.081	
36 ... 80			3.160.211.353
42 ... 48	3.160.211.072	3.160.211.082	
100 ... 130	3.160.211.074	3.160.211.084	3.160.211.381
187 ... 264	3.160.211.075*	3.160.211.085	
360 ... 440	3.160.211.079	3.160.211.089	

1 Connection cable, 2 x 0.5 mm² [0.00077 square yards], NYFAZ, 0.5 m [0.547 yard] long

Further stock models:

3.160.217.075 187 ... 264 V AC/VS
 3.167.211.075 187 ... 264 V AC flat pin
 3.167.211.351 10 ... 30 V DC flat pin 0.8 x 2.8 mm

HB 26.31

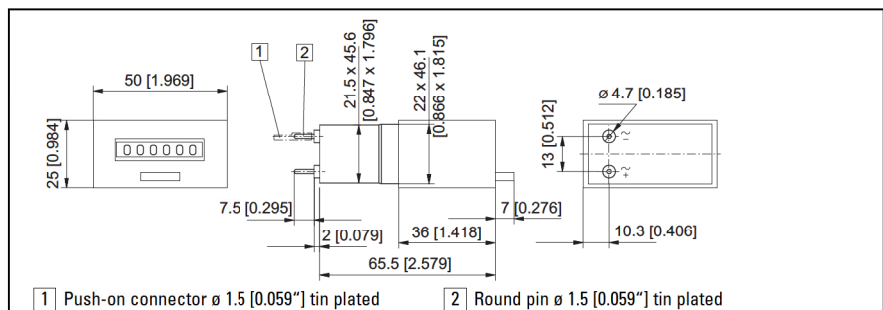


Voltage	Art-No. (AC), 50 Hz	Art-No. (AC), 60 Hz	Art-No. (V DC)
10 ... 30			3.160.311.351
20 ... 30	3.160.311.071	3.160.311.081	
36 ... 80			3.160.311.353
42 ... 48	3.160.311.072	3.160.311.082	
100 ... 130	3.160.311.074	3.160.311.084	3.160.311.381
187 ... 264	3.160.311.075	3.160.311.085	
360 ... 440	3.160.311.079	3.160.311.089	

1 Cable connection 2 x 0.5 mm² [0.00077 square yards], NYFAZ, 0.5 m [0.547 yard] long

3 Countersunk Bf4, DIN 74

HB 26.01.3



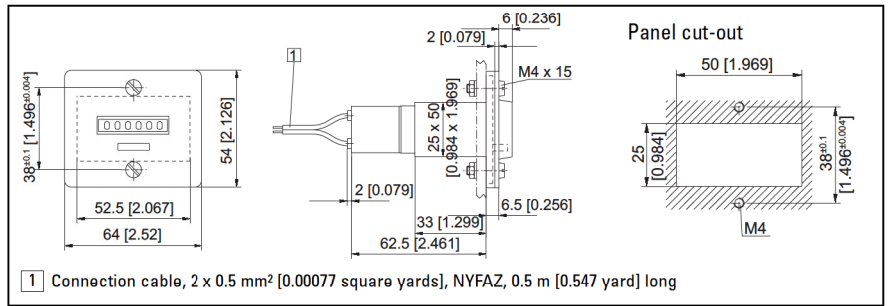
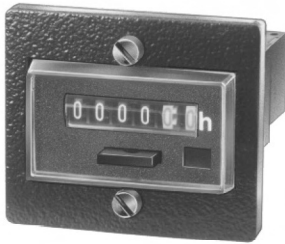
Socket box 945.2



Voltage	Art-No. (AC), 50 Hz	Art-No. (AC), 60 Hz	Art-No. (V DC)
10 ... 30			3.165.011.351
20 ... 30	3.165.011.071	3.165.011.081	
36 ... 80			3.165.011.353
42 ... 48	3.165.011.072	3.165.011.082	
100 ... 130	3.165.011.074	3.165.011.084	3.165.011.381
187 ... 264	3.165.011.075	3.165.011.085	
360 ... 440	3.165.011.079	3.165.011.089	

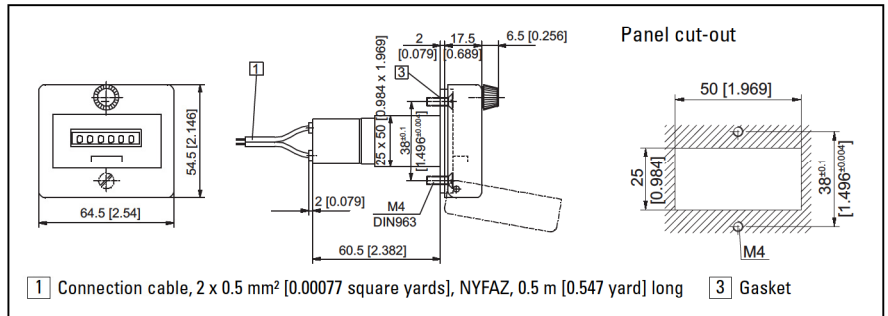
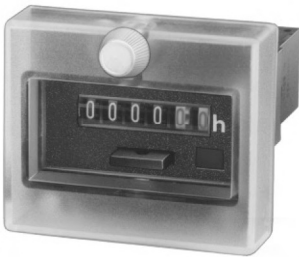
*standard stock model

K1 HB 26.31



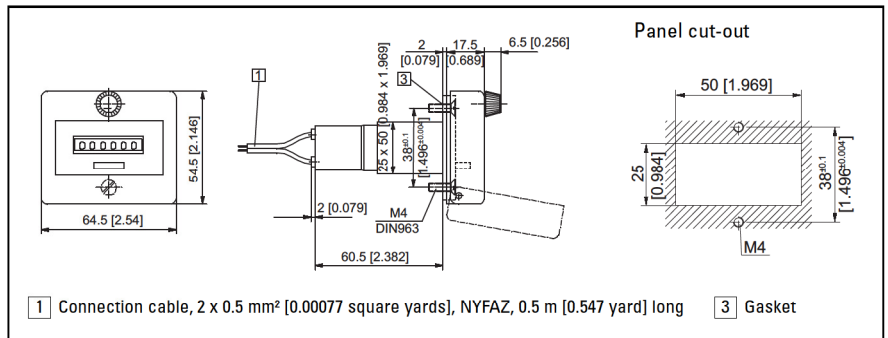
Voltage	Art-No. (AC), 50 Hz	Art-No. (AC), 60 Hz	Art-No. (V DC)
10 ... 30			3.160.611.351
20 ... 30	3.160.611.071	3.160.611.081	
36 ... 80			3.160.611.353
42 ... 48	3.160.611.072	3.160.611.082	
100 ... 130	3.160.611.074	3.160.611.084	3.160.611.381
187 ... 264	3.160.611.075	3.160.611.085	
360 ... 440	3.160.611.079	3.160.611.089	

Dv HB 26.31



Voltage	Art-No. (AC), 50 Hz	Art-No. (AC), 60 Hz	Art-No. (V DC)
10 ... 30			3.160.711.351
20 ... 30	3.160.711.071	3.160.711.081	
36 ... 80			3.160.711.353
42 ... 48	3.160.711.072	3.160.711.082	
100 ... 130	3.160.711.074	3.160.711.084	3.160.711.381
187 ... 264	3.160.711.075	3.160.711.085	
360 ... 440	3.160.711.079	3.160.711.089	

Dvs HB 26.31



Voltage	Art-No. (AC), 50 Hz	Art-No. (AC), 60 Hz	Art-No. (V DC)
10 ... 30			3.160.811.351
20 ... 30	3.160.811.071	3.160.811.081	
36 ... 80			3.160.811.353
42 ... 48	3.160.811.072	3.160.811.082	
100 ... 130	3.160.811.074	3.160.811.084	3.160.811.381
187 ... 264	3.160.811.075	3.160.811.085	
360 ... 440	3.160.811.079	3.160.811.089	