

LED CAN Display – Codix 538



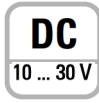
RS 485



High protection



Front bezel dimensions



Power supply



Reverse Polarity protection

Powerful

- LED display
Very bright, 8 mm high
- Floating decimal point, up to 5 places
- Factor + Offset
- Protection IP65 from the front
- Reverse polarity protection
- Read-in value can be scaled using factor and offset



Compact

- DIN panel-mount housing 48 x 24 mm
- Minimal installation depth just 59 mm

Communicative

- CAN specification 2.0A/2.0B
- CANopen compliant
- Segments can be written to directly
- Automatic baud rate recognition up to 1Mbit/s
- 16 node numbers set via rotary switches
- Automatic Operational Mode
CAN encoders can be read out directly

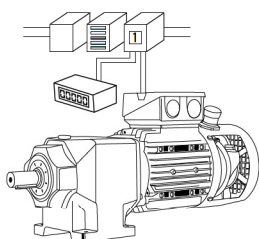
Technical data:

Supply voltage:	10 ... 30 V DC, with reverse polarity protection
Power consumption:	< 2 W
Display:	6 digit red 7-segment LED; 8 mm [0.315"] high
CAN-Bus:	CAN specification 2.0A/2.0B, CANopen compliant, transfer rate up to 1Mbaud,
Bus termination:	no bus termination
Galvanic isolation:	no
Node numbers:	16 node numbers set via rotary switches
Data backup:	EEPROM

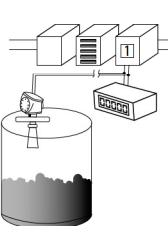
Housing:	dimensions 48 x 24 mm [1.89 x 0.945"] according to DIN 43 700; RAL 7021, grey
Ambient temperature:	0 ... +50 °C [32 ... 122 °F], non-condensing
Storage temperature:	-20 ... +70 °C [-4 ... 158 °F]
Connection:	screw terminals RM 5.08 mm
EMC:	Emitted interference: EN55011 Class B Immunity to interference: EN61000-6-2
Protection:	IP65 front side
Weight:	approx. 50 g [1.764 oz]

Application areas:

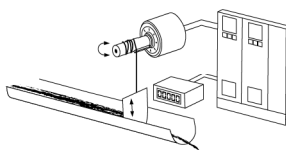
- Production equipment
- Filling and packaging machines
- Woodworking machines
- Monitoring equipment



Rotary speed and Position measurement

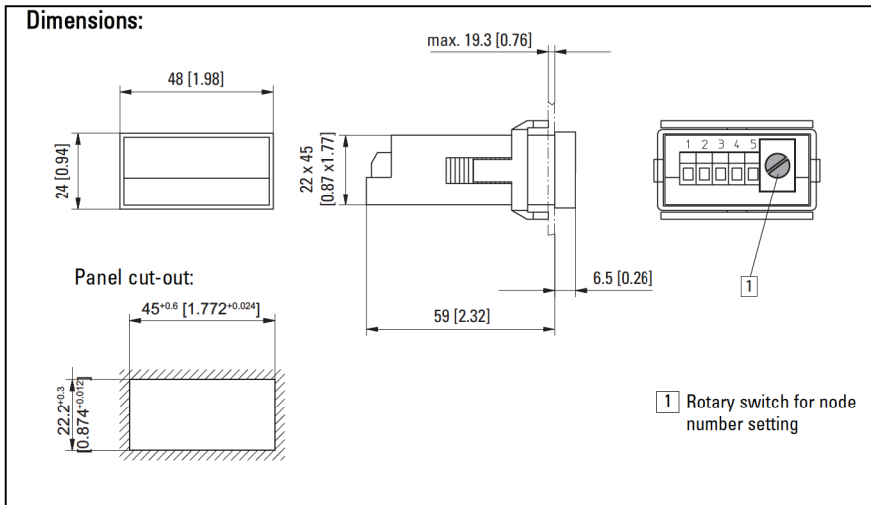


Level and Flow



Volume, Weight

LED CAN Display – Codix 538



Connections:

- 1 10 ... 30 V DC
- 2 0 V GND
- 3 CAN A
- 4 CAN L
- 5 CAN H



Delivery specifications:

- 1 Digital display
- 1 Gasket
- 1 Panel mounting clip
- 1 Multilingual operating instruction and EDS file

Order code:
6.538.012.3C1