

## Standard Counters – Bk 14 / Bk 16



- BK 14, 4-digit totaliser with manual reset
- BK 16, 6-digit totaliser without reset
- Very high operating life (200 Mio. pulses)

### Applications:

general counting, time, performance and rate measuring

### Technical data:

Electrical connection:	tin plated round pins $\varnothing$ 1.5 mm [0.059"] with push on connectors
Rated voltage:	type 0/1/a: 12/24/48/115/230 V DC $\pm$ 10 % 24/48/115/230 V AC $\pm$ 10 %
Colour of counter:	grey
Height of figures:	approx. 2 x 4 mm [0.079 x 0.158"]
Colour of figures:	white on black
Shaft:	stainless steel
Mounting position:	any
Operating life:	approx. 200 x 10 <sup>6</sup> pulses
Weight:	without reset 66 g [2.328 oz] with reset 70 g [2.469 oz]

Test voltage:	2000 V ~ effective, according to VDE 0435	
Shock resistance:	3 g at	10 Hz
	6 g at	15 Hz
	10 g	20 ... 300 Hz

### Options:

- key-Locking zero-reset special key (Order code "vs", e.g. BK 14.11 vs)
- housing Colour black
- higher counting speed
- also with flying leads

### Series:

6 digit without reset	4 digit with	Description
BK 16.10	BK 14.11	flush mount with 2 mounting holes
BK 16.20	BK 14.21	flush mount with spring clip

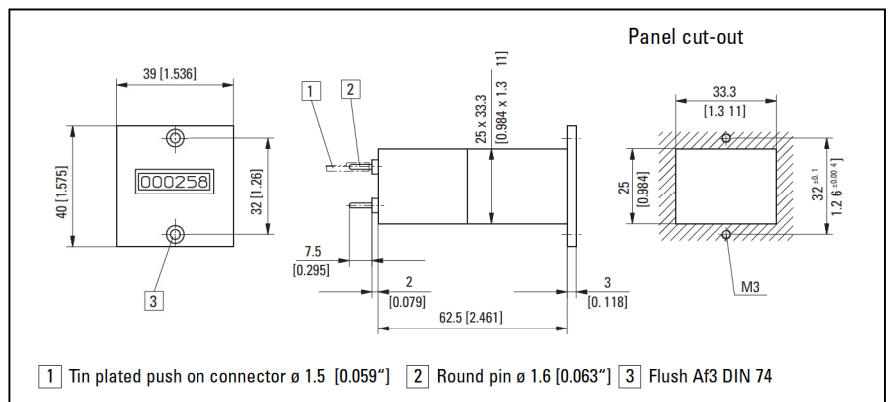
### Order code:

- Article number
- At different voltages, please give type, voltage, kind of voltage and series e.g. BK 14.21, 12 V AC, type a.

### Counting mechanism:

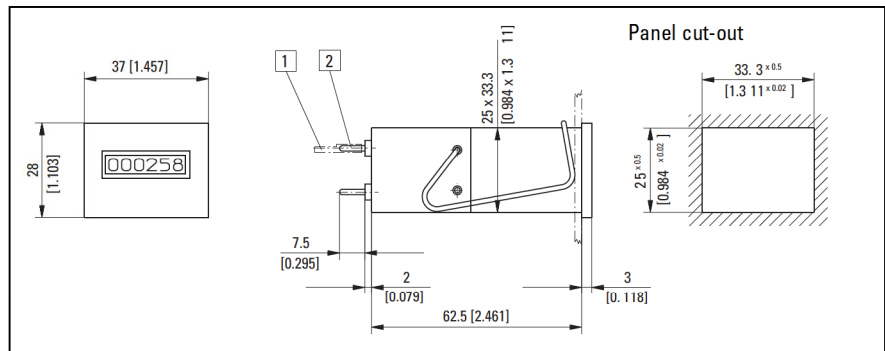
Voltage	Model	Max. pulse freq.	Min. pulse on time	Min. pulse interval	Pulse ratio	On-time	Power consumption	Max. ripple voltage	Ambient temperature °C [°F]
V DC	0	10/sec	60 ms	40 ms	3:2	100 %	approx. 1W	48 %	-10 ... [14 °F]
	1	25/sec	24 ms	16 ms	3:2	100 %	approx. 2W	48 %	+60 [140 °F]
V AC	a	18/sec	22.2 ms	33.3 ms	2:3	100%	approx. 2.9VA		-10 ... + 55 [14 ... 131 °F]

### Type Bk 16.10



BK 16.10 (6-digit)	12 V	24 V	115 V	230 V
DC (10 Imp/s)	Art. no. 1.190.100.012	Art. no. 1.190.100.013	Art. no.	Art. no.
DC (25 Imp/s)	1.190.100.032	1.190.100.033		
AC (18 Imp/s)		1.190.100.061	1.190.100.064	1.190.100.066

## Type Bk 16.20

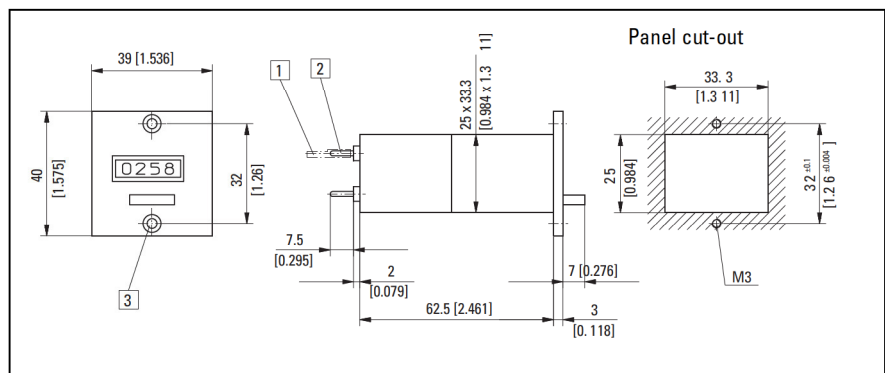
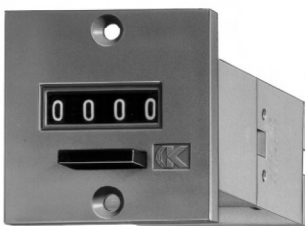


1 Tin plated push on connector  $\varnothing$  1.6 [0.059"]

2 Round pin  $\varnothing$  1.5 [0.059"] tin

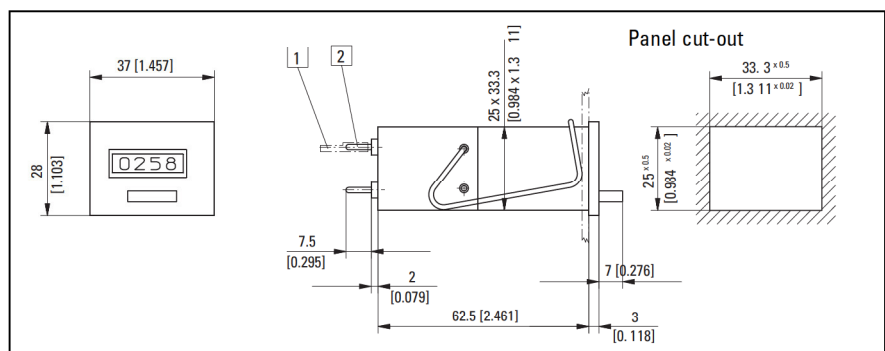
BK 16.20 (6-digit)	12 V Art. no.	24 V Art. no.	115 V Art. no.	230 V Art. no.
DC (10 Imp/s)	1.190.200.012	1.190.200.013		
DC (25 Imp/s)	1.190.200.032	1.190.200.033		
AC (18 Imp/s)		1.190.200.061	1.190.200.064	1.190.200.066

## Type Bk 14.11



BK 14.11 (4-digit)	12 V Art. no.	24 V Art. no.	115 V Art. no.	230 V Art. no.
DC (10 Imp/s)	1.180.110.012	1.180.110.013*		
DC (25 Imp/s)	1.180.110.032	1.180.110.033		
AC (18 Imp/s)		1.180.110.061	1.180.110.064	1.180.110.066

## Type Bk 14.21



BK 14.21 (4 digit)	12 V Art. no.	24 V Art. no.	115 V Art. no.	230 V Art. no.
DC (10 Imp/s)	1.180.210.012	1.180.210.013*		
DC (25 Imp/s)	1.180.210.032	1.180.210.033		
AC (18 Imp/s)		1.180.210.061	1.180.210.064	1.180.210.066*

1 Tin plated push on connector  $\varnothing$  1.6 [0.063"]

2 Round pin  $\varnothing$  1.5 [0.059"]