

## LCD Display counter **CODIX 132**



- Low-price and high efficiency
- Large 8-digit LCD display, height of the figures 8 mm [0.315"]
- Optional backlighting
- Counting mode up /down,
- High voltage input for 10 ... 260 V AC/DC voltage pulses
- Unified Codix design, matches the extensive **CODIX** family
- IP 65
- Screw terminals, RM 5 mm [0.197"]
- Lifetime of the battery approximately 8 years
- Locking of the reset key
- Ambient temperature -10 ... +60 °C [14 ... 140 °F]
- All versions for positive or negative counting edge
- Filter function for bounce-free counting with mechanical contacts.



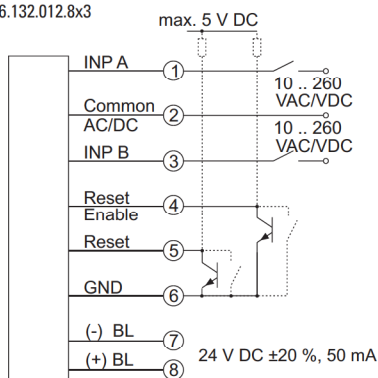
### Technical data:

Power supply:	non-replaceable lithium battery (lifetime approximately 8 years at 20 °C [68 °F])
Backlighting:	external electrical source 24 V DC +/-20 %, 50 mA
Display:	LCD, 8 digits, height of the figures 8 mm [0.315]
Mode:	adding or subtracting (selectable) counting direction differential counting or phase discriminator single or dual evaluation, selectable
Display range:	-9999999 ... 99999999, with overflow display
Reset:	manual and electrical
UL certified:	File: E128604
Interference emissions:	EN 55011 Class B, EN 61000-6-2 EN 61010 Section 1 (only AC versions)
Housing:	dark grey RAL 7021
Operating temperature:	-10 ... +55 °C [14 ... 131 °F]
Ambient temperature:	-10 ... +60 °C [14 ... 140 °F]
Storage temperature:	-20 ... +70 °C [-4 ... 158 °F]

Protection:	IP 65 front side
Weight:	approx. 50 g [1.764 oz]
<b>Counting inputs:</b>	
Counting input of the high voltage versions (10 ... 260 V DC/V AC)	
Counting input:	Optocoupler input, max. 30 Hz
Min. pulse time:	16 ms
Switching level:	Low: 0 ... 2 V DC/V AC, High: 10 ... 260 V DC/V AC
<b>Reset Input (only DC and high voltage)</b>	
Minimum pulse time:	DC: 50 ms, high voltage: 16 ms
Contact input DC:	NPN: Low: 0 ... 0.7 V, High: 3 ... 30 V DC
High voltage input:	10 ... 260 V DC/V AC
Electrical reset key locking (for DC and AC)	
Contact input:	Open Collector NPN (switching at 0 V)
Switching level:	NPN: Low: 0 ... 0.7 V, High: 3 ... 5 V DC

### Connection diagram:

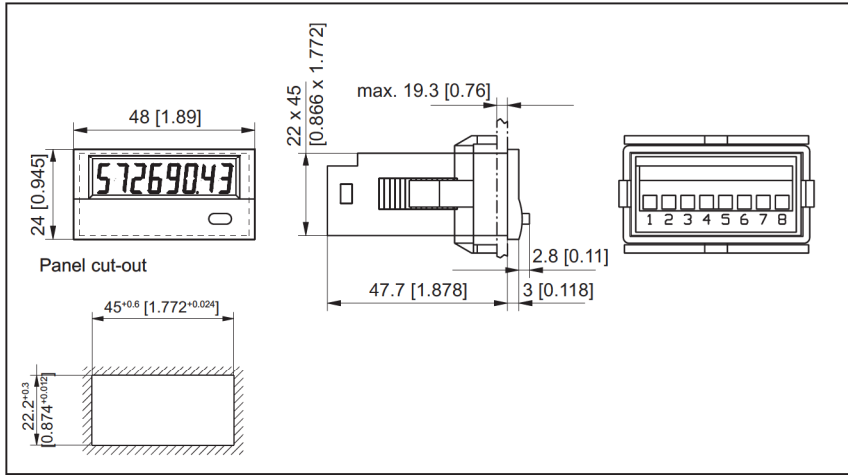
AC type:  
6.132.012.8x3



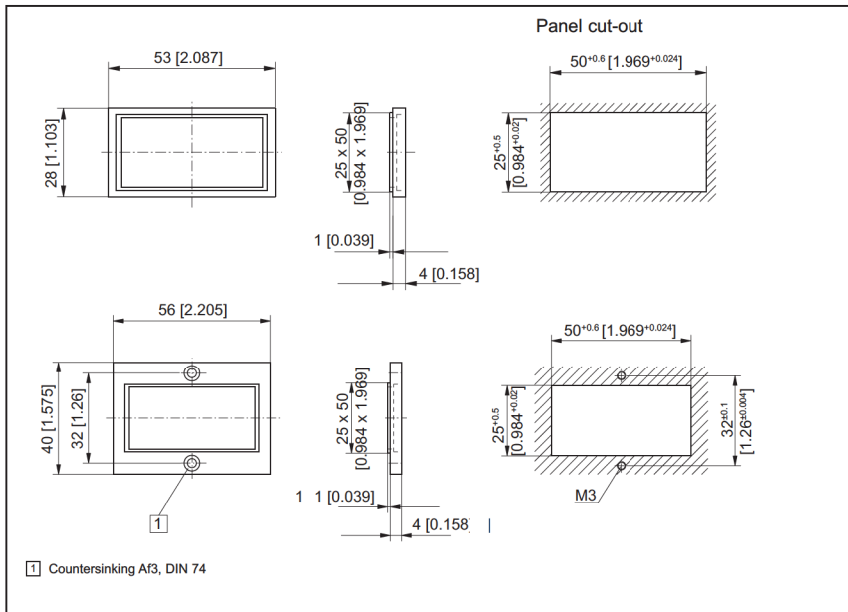
BL = backlight

## LCD Display counter **CODIX 132**

### Dimensions:



### Dimensions for bezels (included in delivery)



### Delivery specification:

- Digital display
- Panel mounting clip
- Bezel for screw mounting (56 x 40 mm) [2.205 x 1.575"], panel cut out 50 x 25 mm [1.969 x 0.984"]
- Bezel for clip mounting (53 x 28 mm) [2.087 x 1.103"], panel cut out 50 x 25 mm [1.969 x 0.984"]
- Seal
- Operating instructions

### Order information:

Type	Input type	Count inputs							
		INP A				INP B			
6.132.012.8x3*	Cnt.Dir <sup>2)</sup>	10 ... 260 V AC/DC	direction	AC/DC	30 Hz	10 ... 260 V AC/DC	count	AC/DC	30 Hz

X: 5 = no backlight  
X: 6 = with backlight

2): counting input with counting direction input  
\* standard stock model